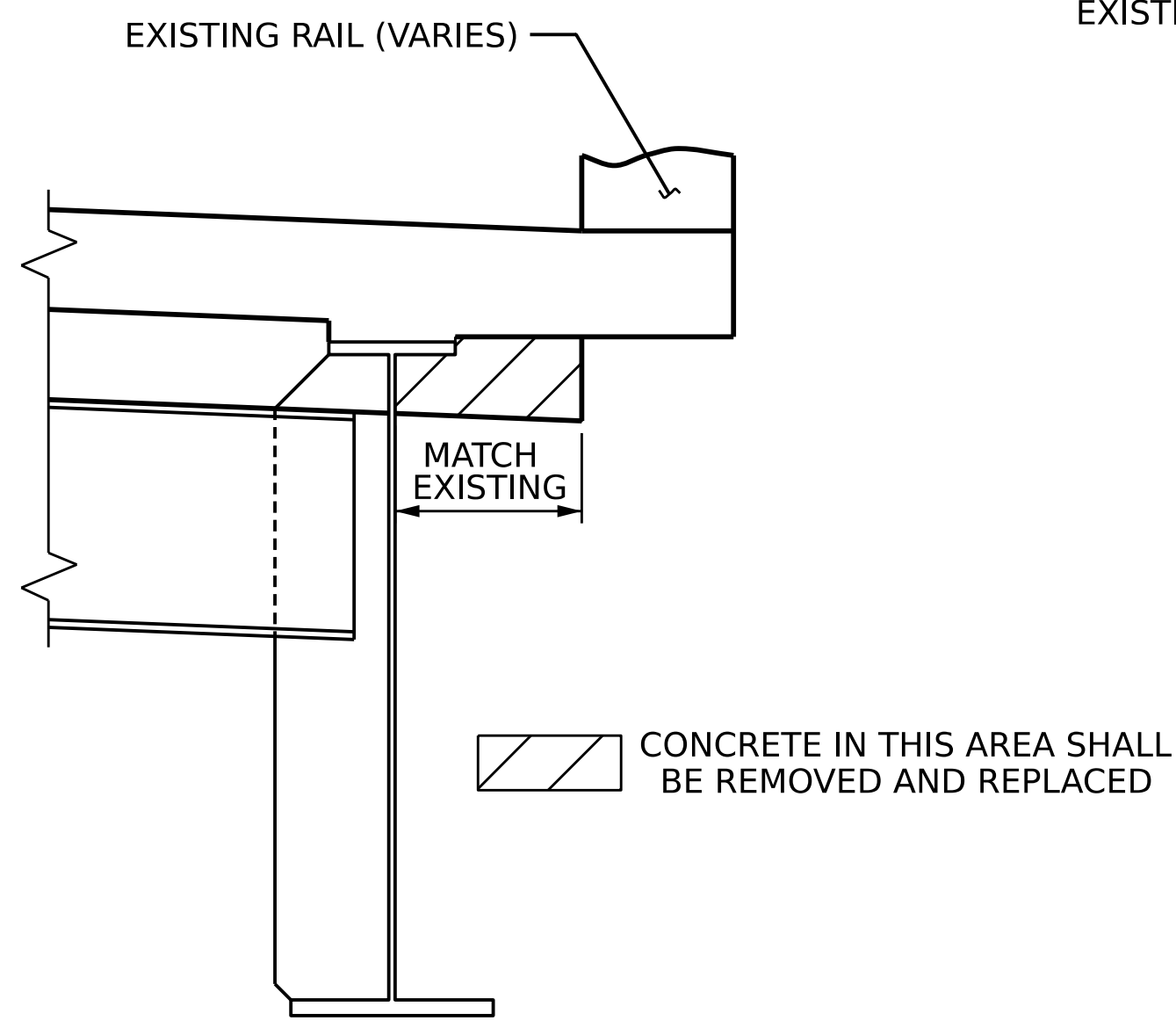
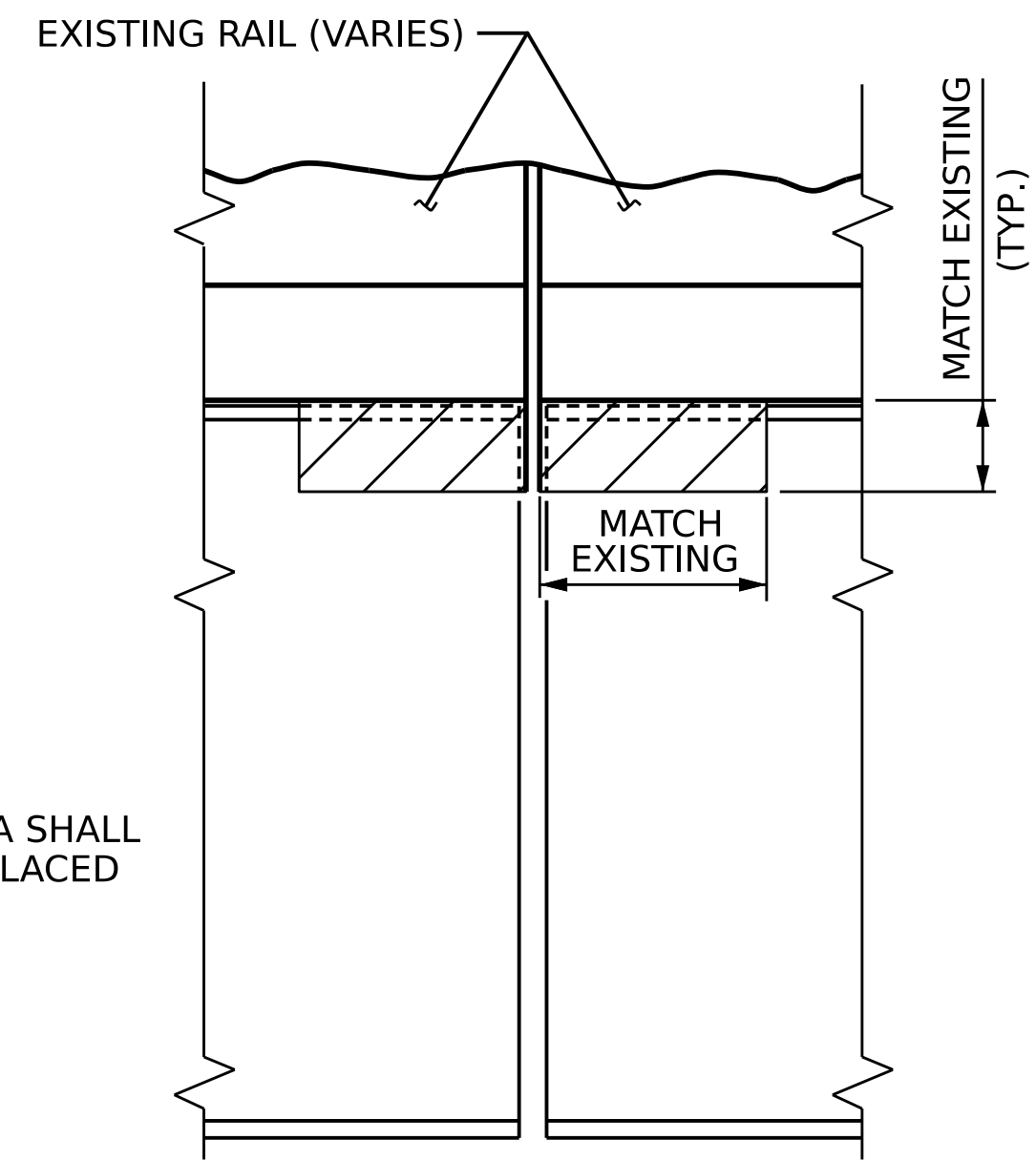


TYPICAL SECTION

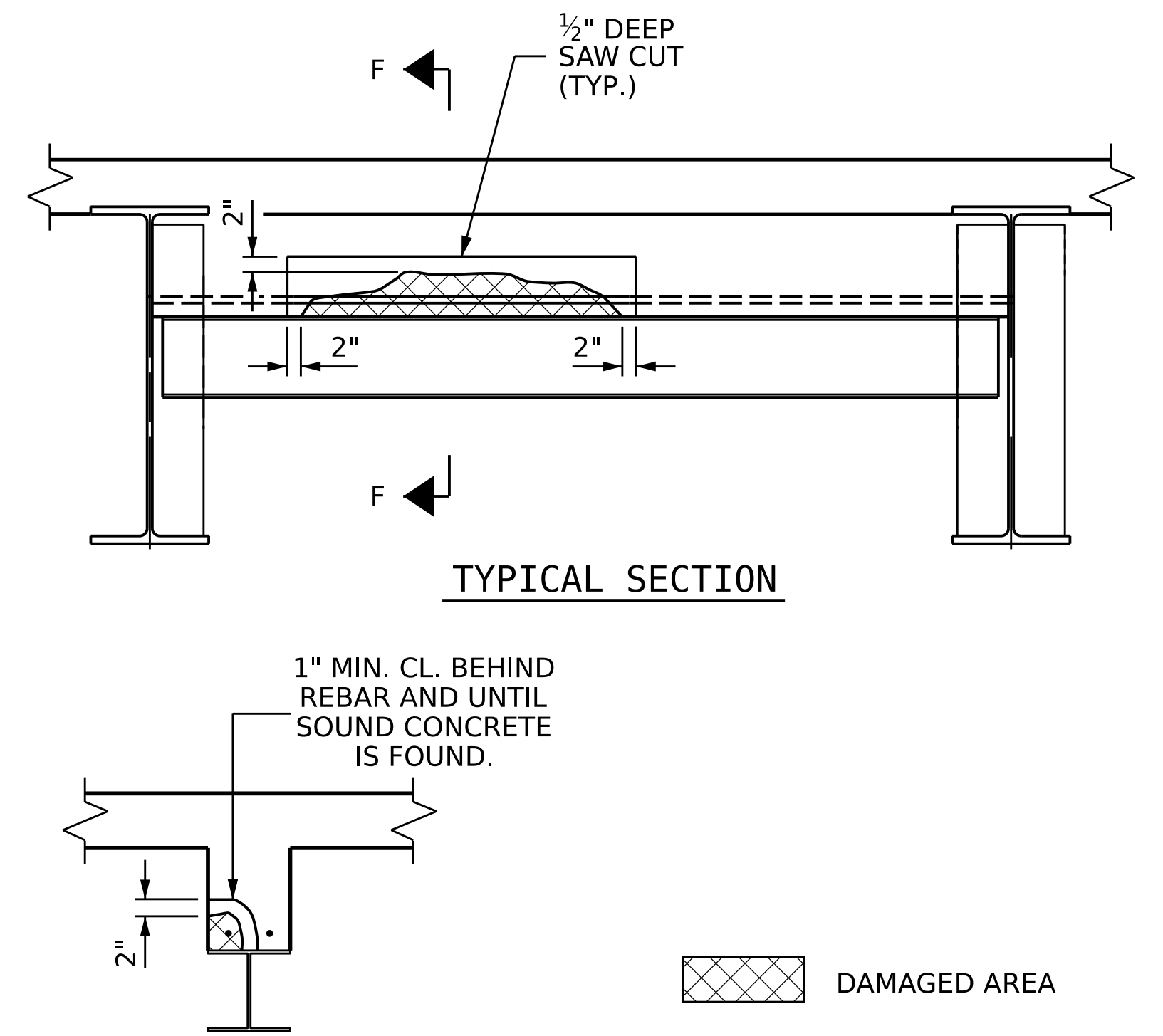


TYPICAL SECTION



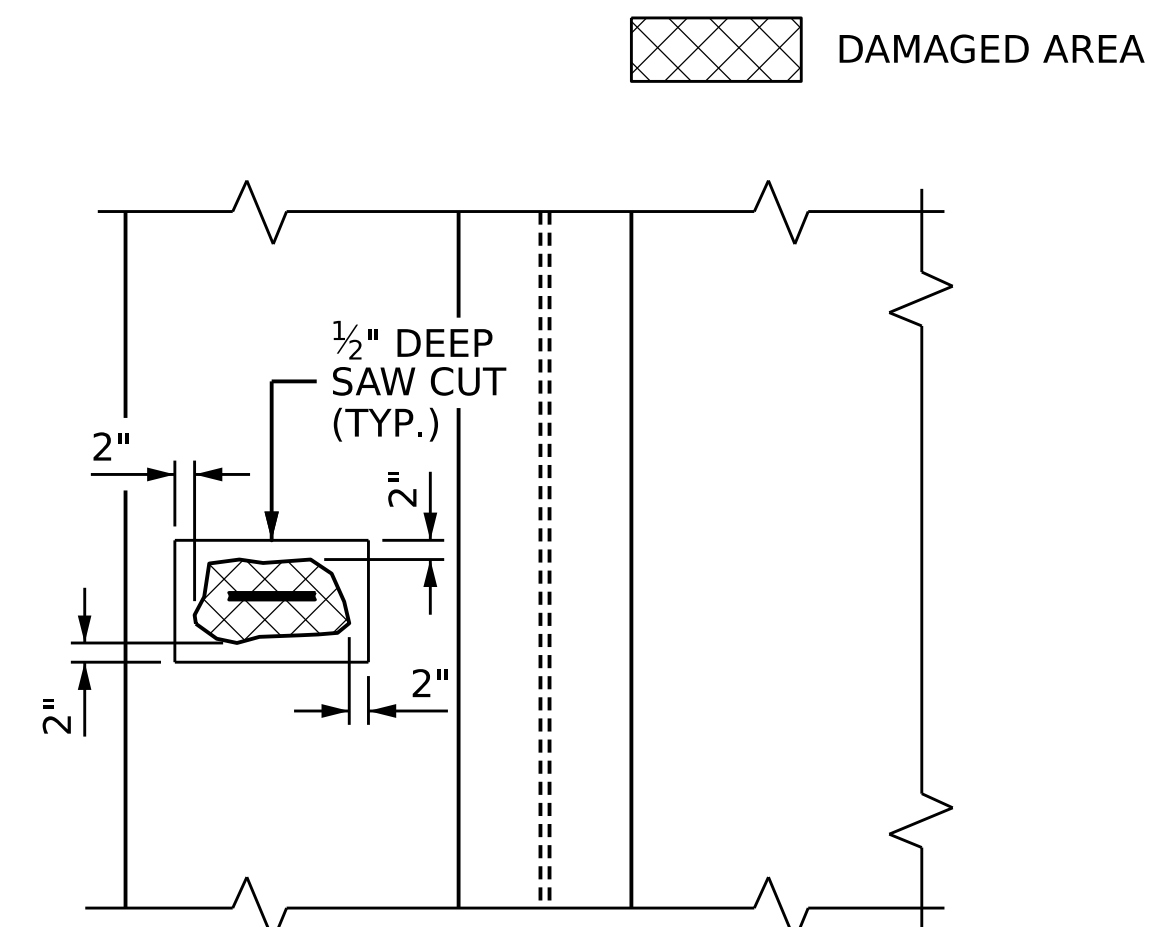
SECTION D-D

**OVERHANGE DIAPHRAGM REPLACEMENT DETAILS**



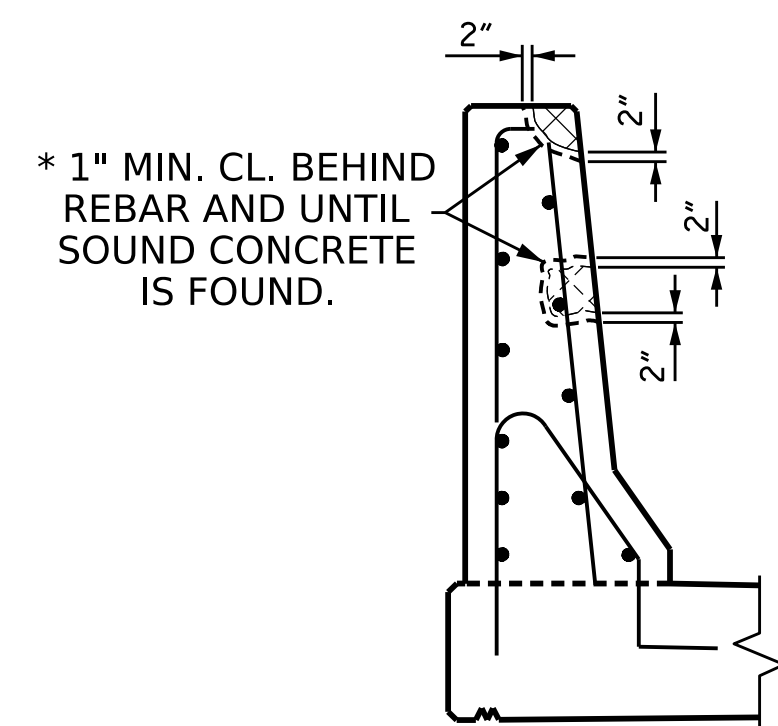
SECTION F-F

**INTERIOR DIAPHRAGM REPAIR DETAILS**

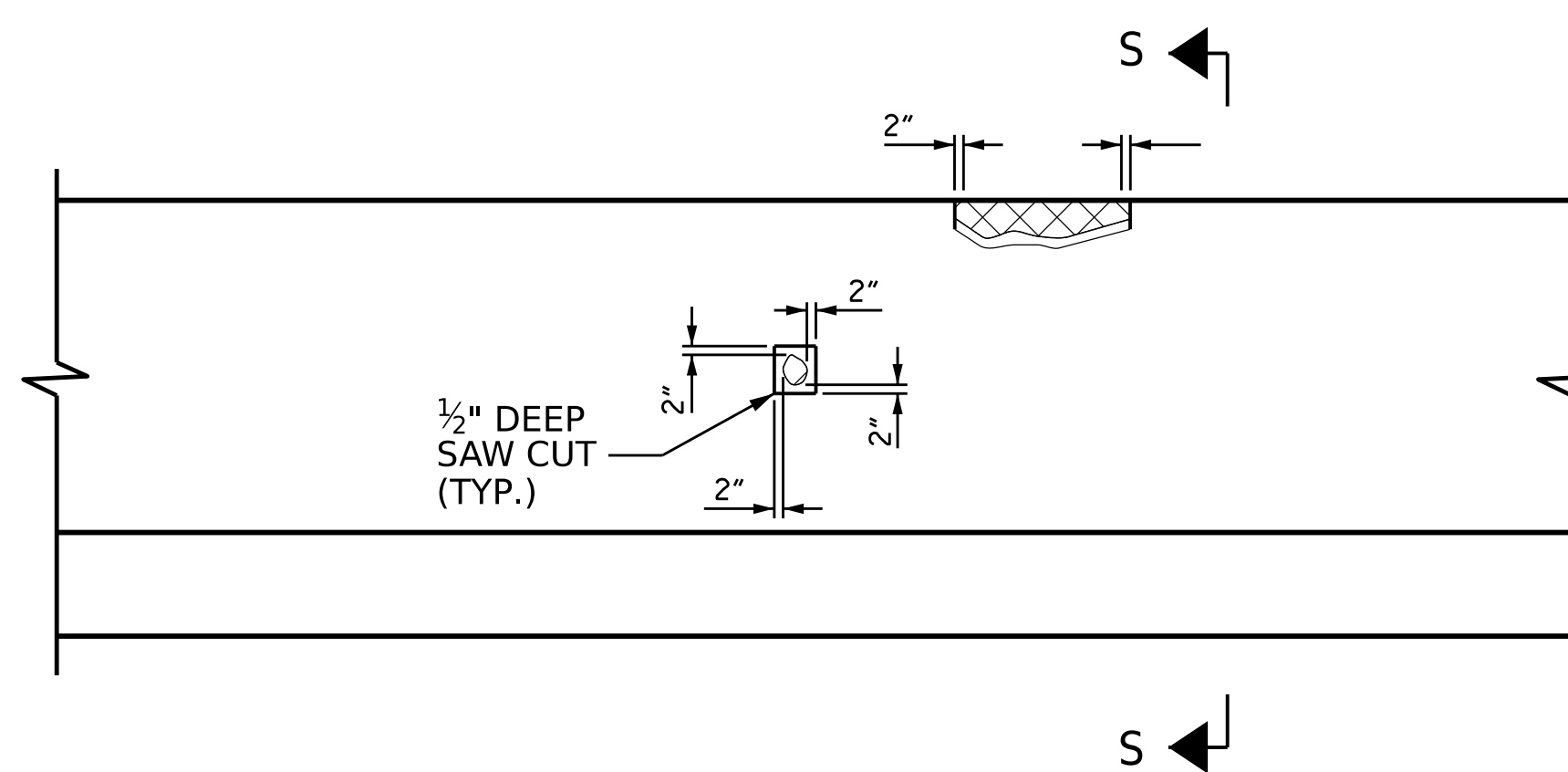


SECTION E-E

**OVERHANGE DETAILS**



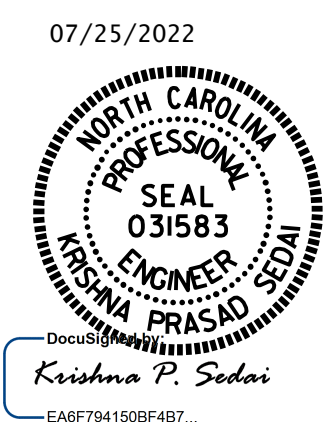
SECTION S-S



**BRIDGE RAIL AND CURB REPAIR DETAILS**

DAMAGED AREA

PROJECT NO. I-5950  
DAVIDSON COUNTY  
 BRIDGE NO. 280092, 280137, 280146  
280147, 280152, 280154,  
280157, 280170, 280171, 280174



STATE OF NORTH CAROLINA  
 DEPARTMENT OF TRANSPORTATION  
 RALEIGH

**OVERHANG, DIAPHRAGM  
 AND BRIDGE RAIL  
 REPAIR DETAILS**

DRAWN BY : E. BAYISSA DATE : 05/2022  
 CHECKED BY : A. SORSENGINH DATE : 05/2022

1/25/2022  
 S:\DPG3\I-5950\Final Plans\411.001.I-5950\_SMU.ODBRR.1.dgn  
 Ksedai

DOCUMENT NOT CONSIDERED  
 FINAL UNLESS ALL  
 SIGNATURES COMPLETED

REVISIONS						SHEET NO. SD-1
NO.	BY:	DATE:	NO.	BY:	DATE:	
1			3			TOTAL SHEETS 2
2			4			