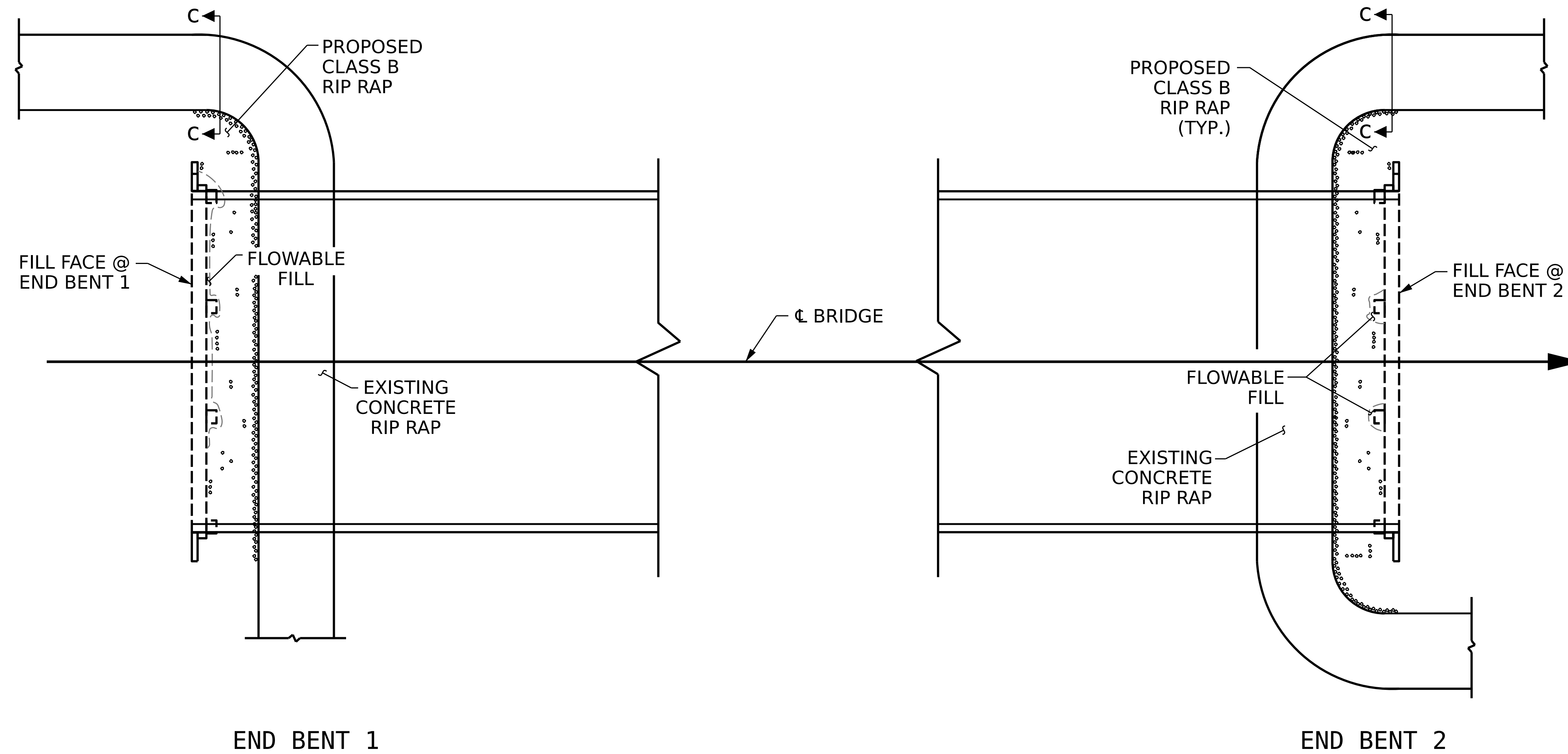
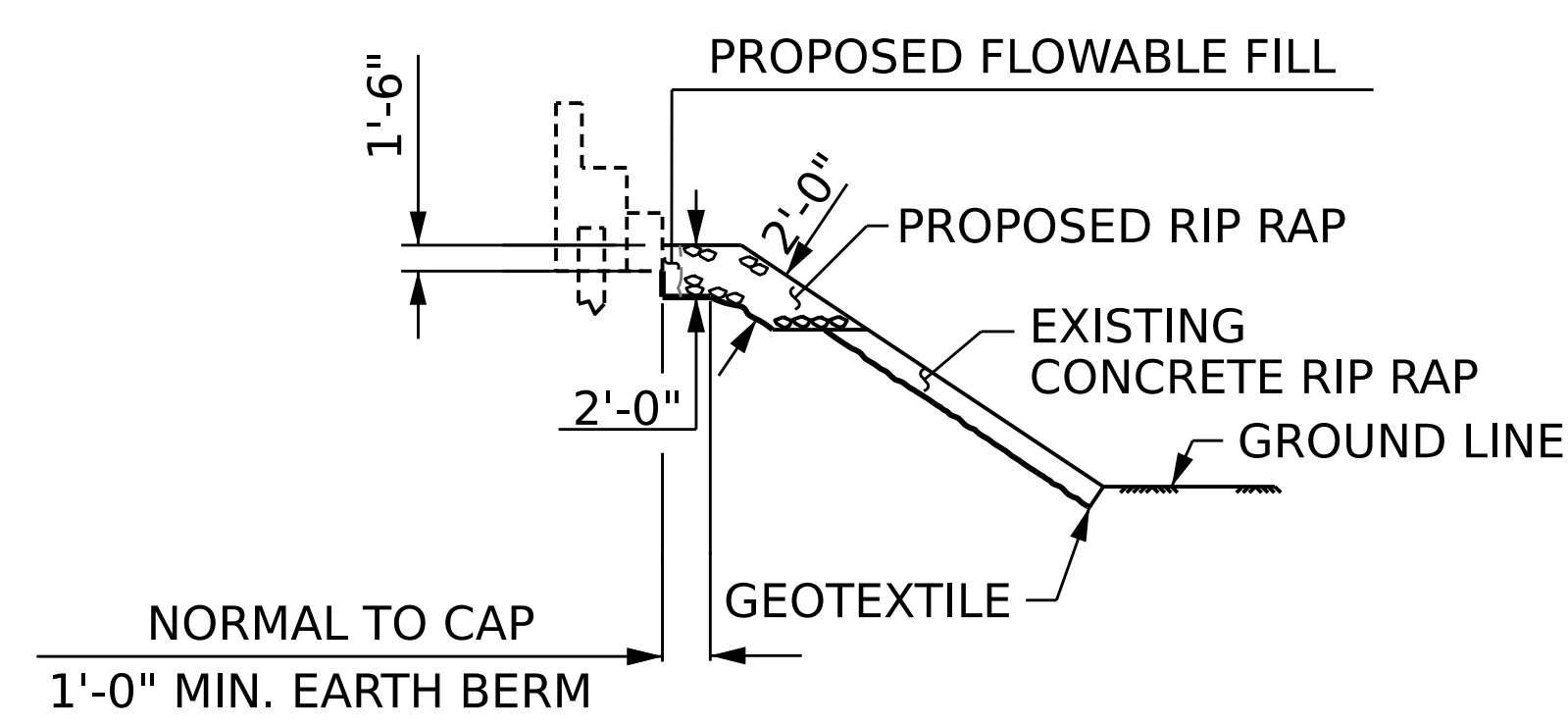


NOTE:
FOR CLASS B RIP RAP, SEE STANDARD SPECIFICATIONS
FOR ROADS AND STRUCTURES, 2018



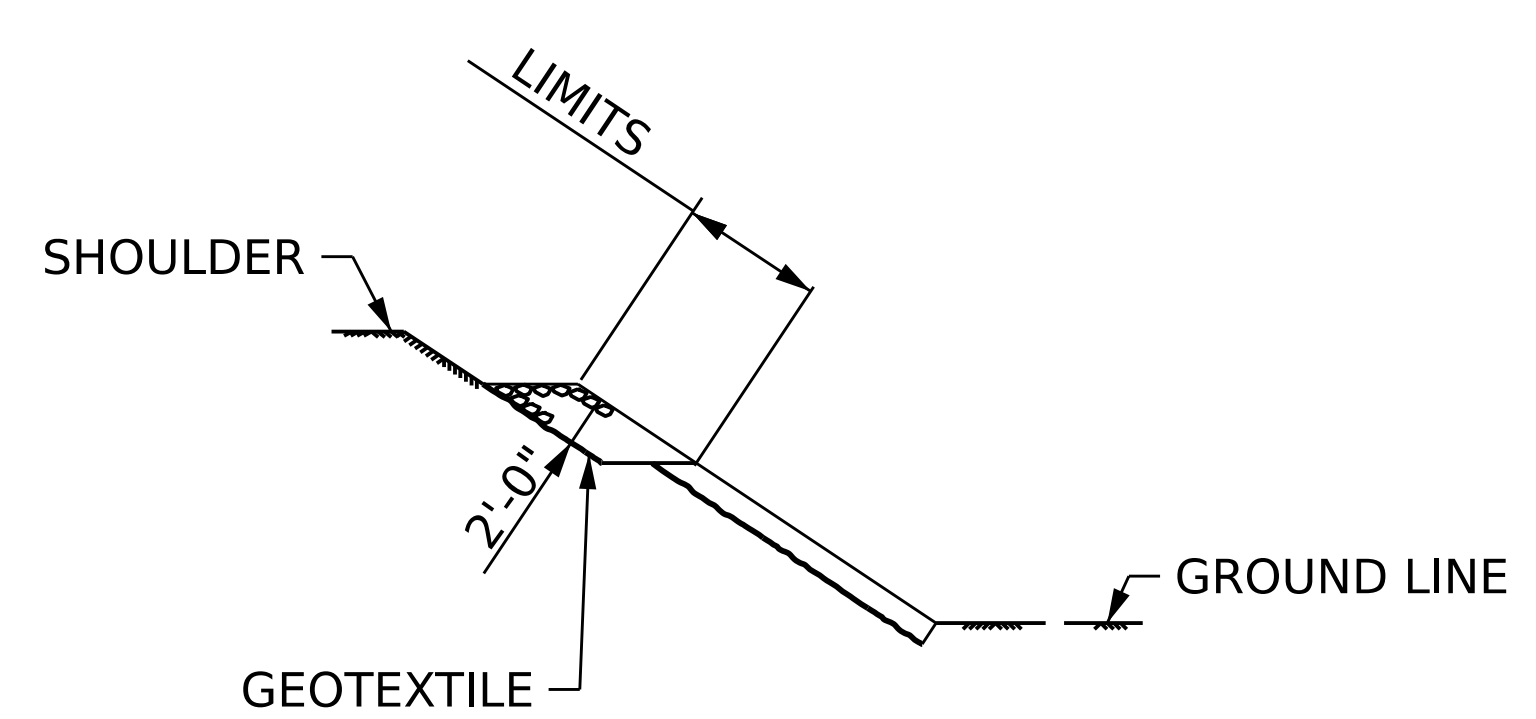
END BENT 1

END BENT 2



SECTION

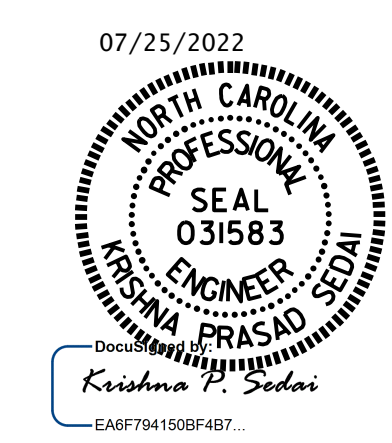
BERM RIP RAPPED



SECTION C-C

ESTIMATED QUANTITIES		
BRIDGE NO. 280171	RIP RAP CLASS B (2'-0" THICK)	GEOTEXTILE FOR DRAINAGE
	TONS	SQUARE YARDS
END BENT 1	80.0	89.0
END BENT 2	75.0	83.0

PROJECT NO. **I-5950**
DAVIDSON COUNTY
BRIDGE NO. **280171**



STATE OF NORTH CAROLINA
DEPARTMENT OF TRANSPORTATION
RALEIGH

**CLASS B
RIP RAP DETAILS**

DRAWN BY : **E. BAYISSA** DATE **07/2022**
CHECKED BY : **K. SEDAI** DATE **07/2022**

DOCUMENT NOT CONSIDERED
FINAL UNLESS ALL
SIGNATURES COMPLETED

REVISIONS						SHEET NO. S9-15
NO.	BY:	DATE:	NO.	BY:	DATE:	
1			3			TOTAL SHEETS 15
2			4			

1/25/2022
S:\DPG3\I-5950\Final Plans\409.029_I5950_SMU.RR.S15.280171.dgn
Ksedai