

AS-BUILT REPAIR QUANTITY TABLE

| REPAIRS - END BENT 1 | QUANTITIES | | | |
|-----------------------|------------|-----------|---------|-----------|
| | ESTIMATE | | ACTUAL | |
| SHOTCRETE REPAIRS | AREA SF | VOLUME CF | AREA SF | VOLUME CF |
| CAP | 0.3 | 0.2 | | |
| CURTAIN WALL | 0.5 | 0.3 | | |
| WINGWALL | | | | |
| CONCRETE REPAIRS | AREA SF | VOLUME CF | AREA SF | VOLUME CF |
| CAP | 0 | 0 | | |
| CURTAIN WALL | 0 | 0 | | |
| WINGWALL | | | | |
| EPOXY RESIN INJECTION | | LINEAR FT | | LINEAR FT |
| CAP | | 0 | | |
| CURTAIN WALL | | 19.5 | | |
| WINGWALL | | | | |
| EPOXY COATING | | AREA SF | | AREA SF |
| CAP | | 98.3 | | |
| CURTAIN WALL | | 249.7 | | |

VALUES IN CHART REPRESENT ESTIMATED REPAIR TOTALS AFTER REMOVAL OF UNSOUND CONCRETE, MIN. OF 1" BEHIND REBAR AND MIN. 2" CLEAR TO SAWCUT. SEE REPAIR DETAILS.

NOTES

REPAIR LOCATIONS AND ESTIMATE OF QUANTITIES ARE GIVEN BASED ON THE BEST INFORMATION AVAILABLE. IF ADDITIONAL REPAIRS NOT SHOWN ON THE DRAWINGS ARE DEEMED NECESSARY BY THE ENGINEER, THE ENGINEER SHALL NOTE ON THE DRAWINGS THE APPROXIMATE LOCATION AND DESCRIPTION OF THE REPAIRS AND ENTER THE ACTUAL QUANTITIES INTO THE AS-BUILT REPAIR QUANTITY TABLE.

CLEAN AND REMOVE DEBRIS FROM THE TOP OF THE CAP AND APPLY EPOXY PROTECTIVE COATING. EPOXY COATING SHALL BE APPLIED TO THE TOP SURFACE OF THE CAP. THE CONTRACTOR SHALL NOT COAT THE AREA OF THE CAP BENEATH THE MASONRY PLATES. FOR EPOXY COATING, SEE SPECIAL PROVISIONS.

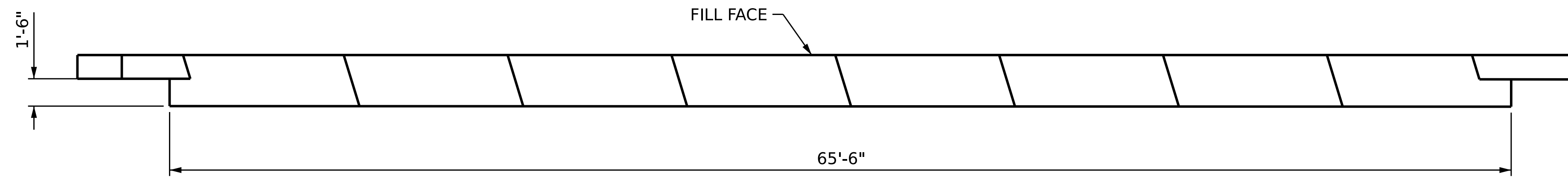
SHOTCRETE REPAIRS MAYBE SUBSTITUTED IN LIEU OF CONCRETE REPAIRS WITH THE APPROVAL OF THE ENGINEER.

FOR CAP AND COLUMN REPAIRS, SEE "TYPICAL CAP AND COLUMN REPAIR DETAILS" SHEET.

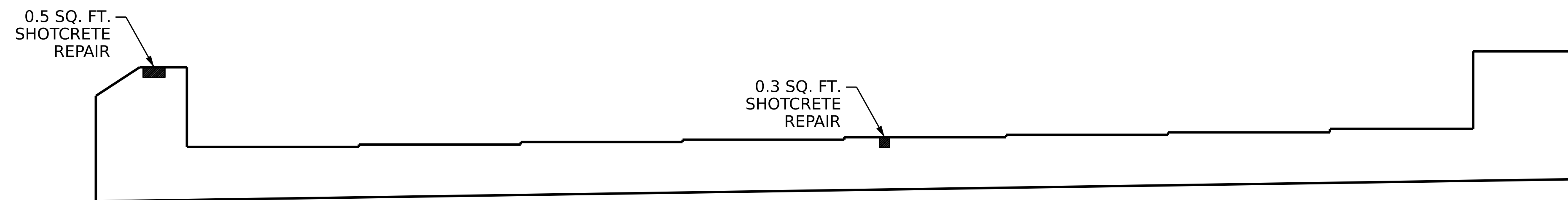
FOR SHOTCRETE REPAIRS, SEE SPECIAL PROVISIONS.

FOR CONCRETE REPAIRS, SEE SPECIAL PROVISIONS.

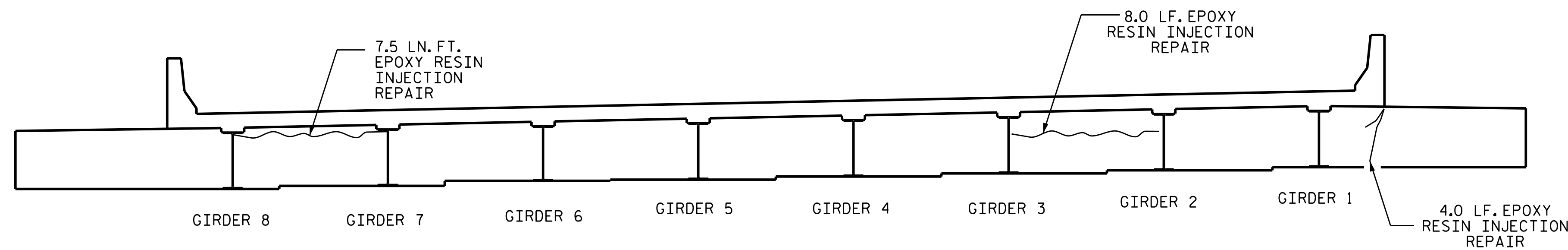
FOR EPOXY RESIN INJECTION, SEE SPECIAL PROVISIONS.






PLAN

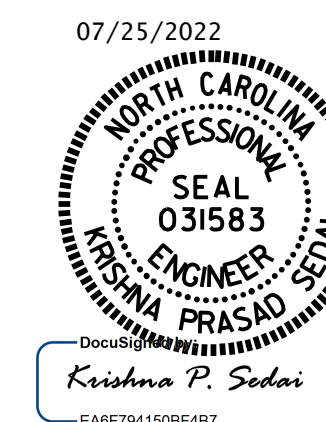


ELEVATION



TYPICAL SECTION

-  SHOTCRETE REPAIR AREA
-  CONCRETE REPAIR AREA
-  EPOXY RESIN INJECTION



PROJECT NO. **I-5950**
DAVIDSON COUNTY
 BRIDGE NO. **280147**

STATE OF NORTH CAROLINA
 DEPARTMENT OF TRANSPORTATION
 RALEIGH

SUBSTRUCTURE REPAIR END BENT 1

| REVISIONS | | | | | | SHEET NO. S4-09 |
|-----------|-----|-------|-----|-----|-------|--------------------|
| NO. | BY: | DATE: | NO. | BY: | DATE: | |
| 1 | | | 3 | | | TOTAL SHEETS 14 |
| 2 | | | 4 | | | |

DOCUMENT NOT CONSIDERED FINAL UNLESS ALL SIGNATURES COMPLETED

DRAWN BY : M. G. SHAIKH DATE : 09/2020
 CHECKED BY : A. SORSENGINH DATE : 09/2022