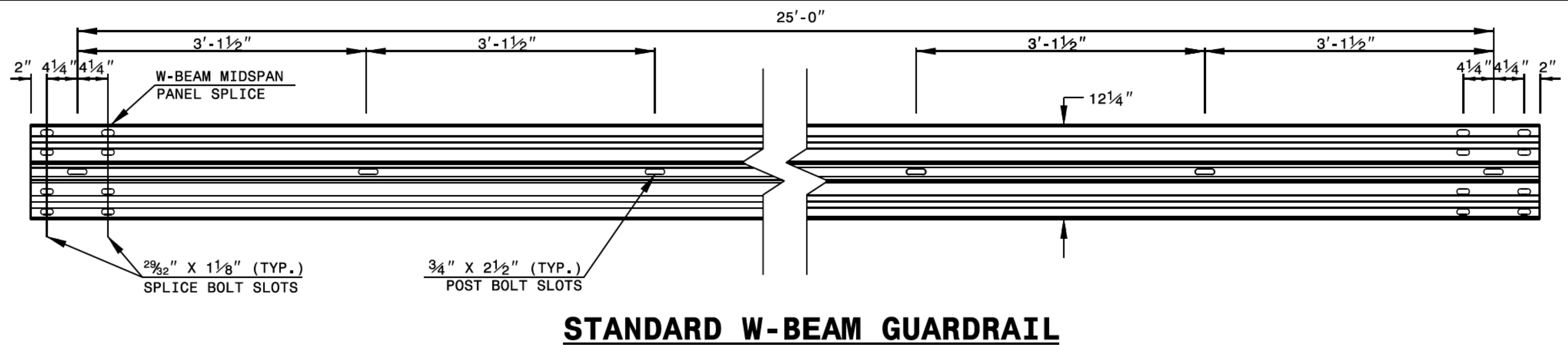


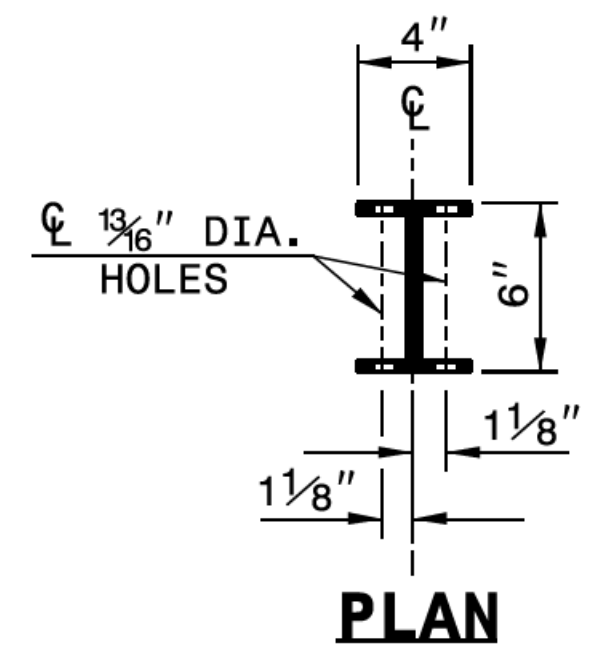
STATE OF NORTH CAROLINA
DEPT. OF TRANSPORTATION
DIVISION OF HIGHWAYS
RALEIGH, N.C.

ROADWAY DETAIL DRAWING FOR
GUARDRAIL INSTALLATION

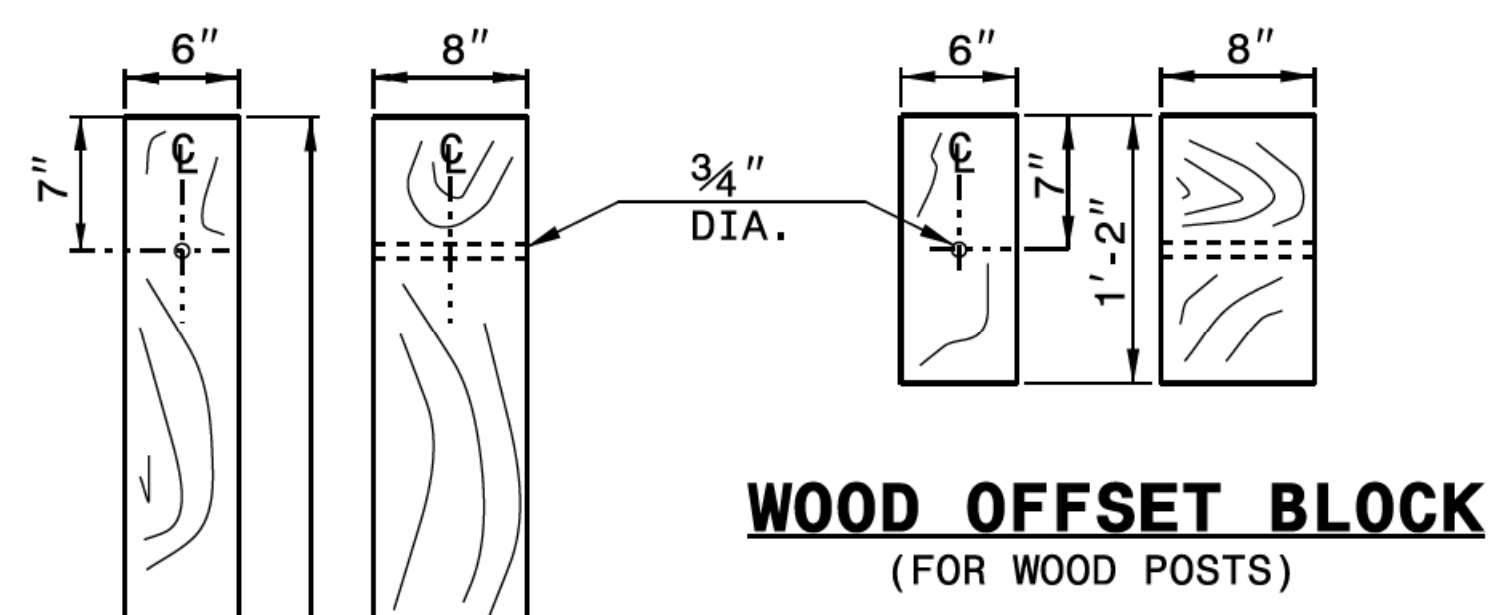
SHEET 6 OF 8
862D02



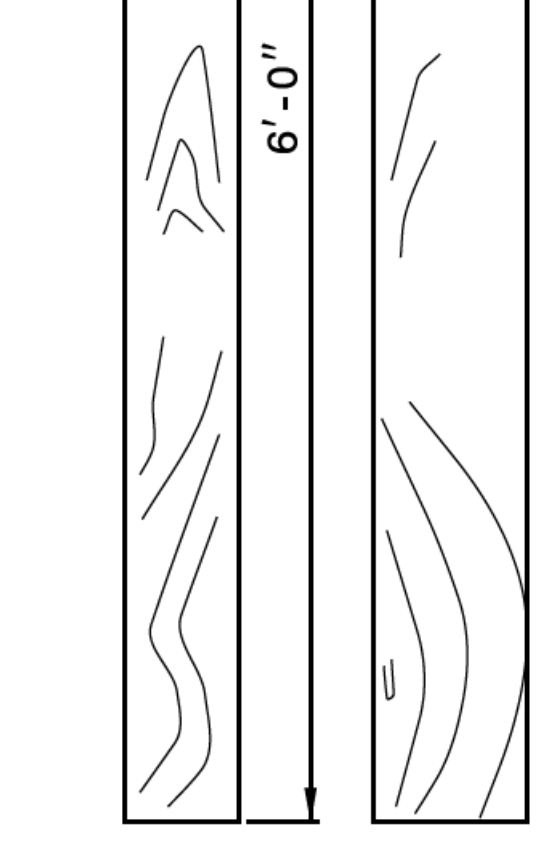
STANDARD W-BEAM GUARDRAIL



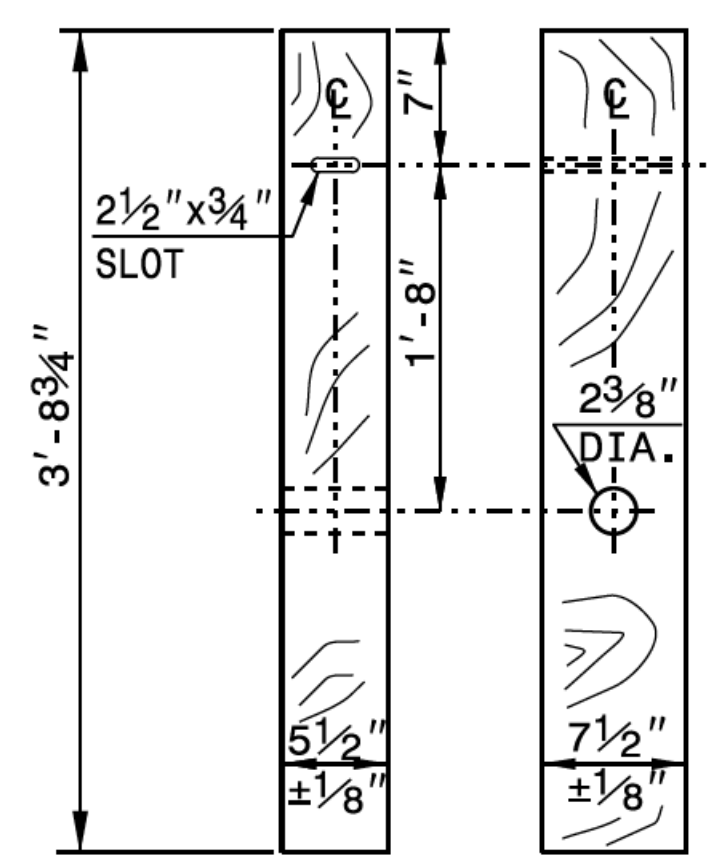
PLAN



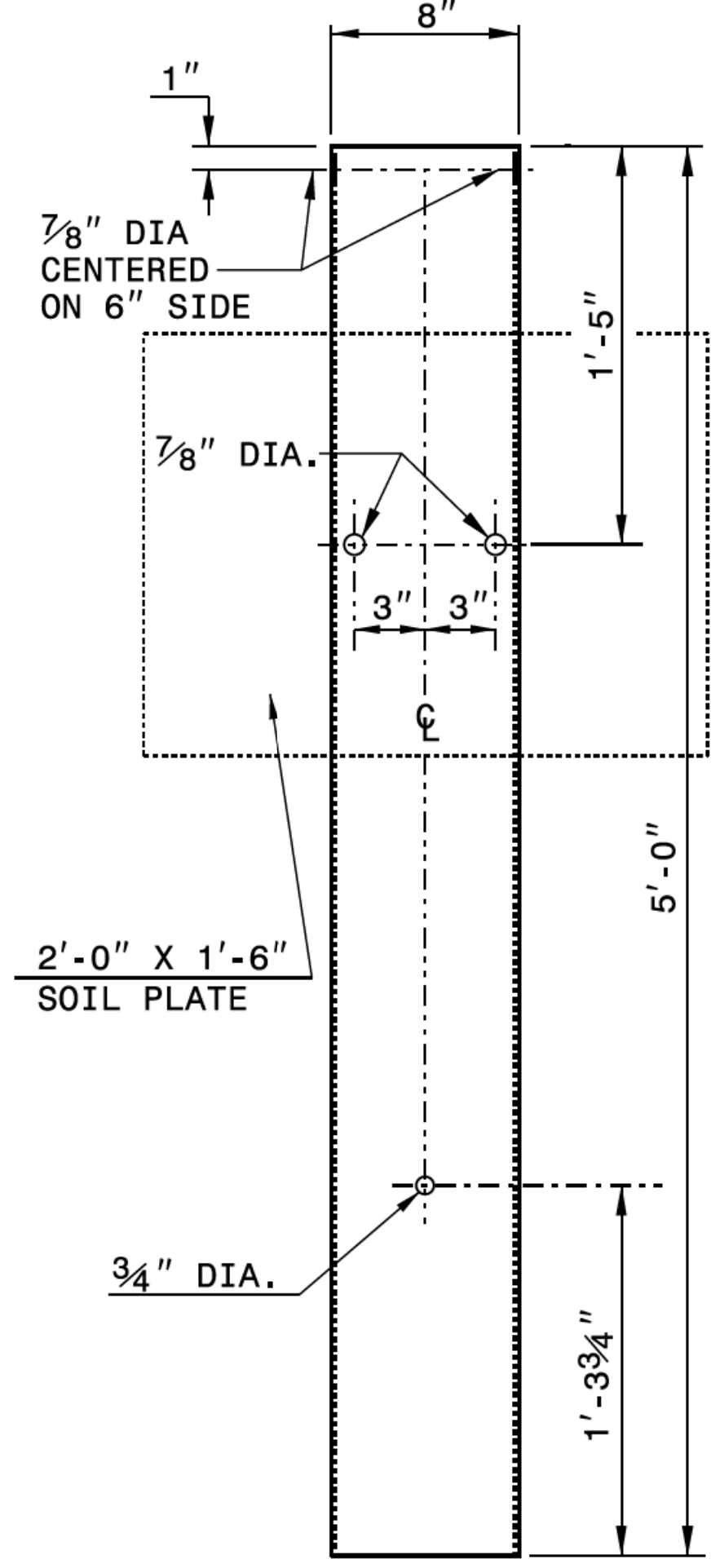
WOOD OFFSET BLOCK
(FOR WOOD POSTS)



STANDARD LINE POST

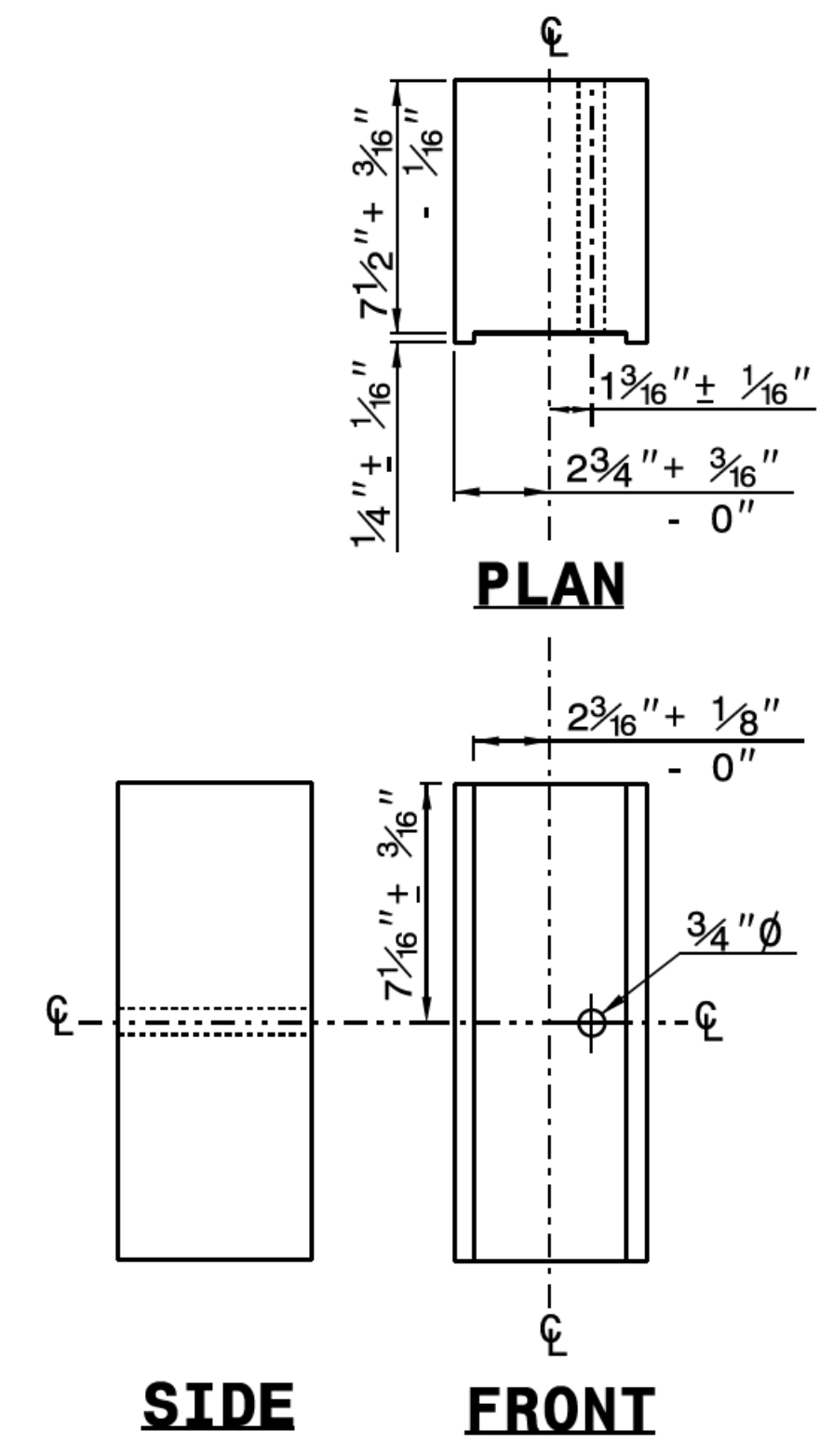


SHORT WOOD BREAKAWAY POST

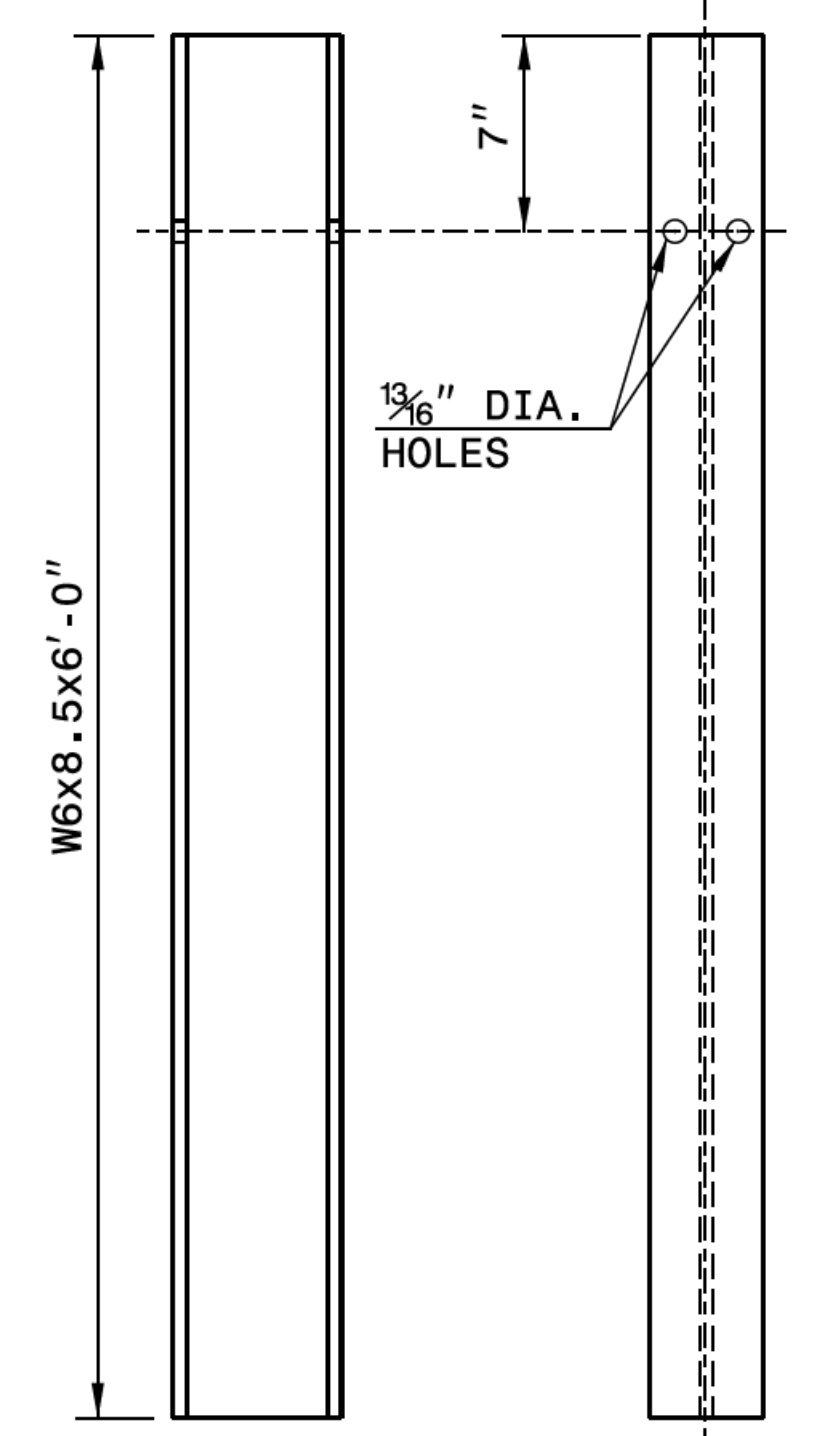


STEEL TUBE
TS 6"X8"X0.1875"

SYSTEM PARTS



ROUTED OFFSET BLOCK

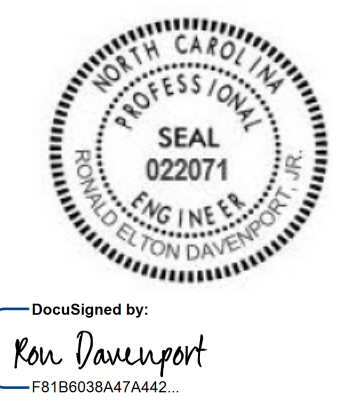


W6" STEEL POST

STATE OF NORTH CAROLINA
DEPT. OF TRANSPORTATION
DIVISION OF HIGHWAYS
RALEIGH, N.C.

ROADWAY DETAIL DRAWING FOR
GUARDRAIL INSTALLATION

SHEET 6 OF 8
862D02



CONTRACTS STANDARDS AND DEVELOPMENT UNIT
Office 919-707-6950 FAX 919-250-4119

SEE TITLE BLOCK

ORIGINAL BY: J. HOWERTON	DATE: 3-7-2018
MODIFIED BY:	DATE:
CHECKED BY:	DATE:
FILE SPEC.:	

5/14/99
01-JUL-2022 15:39
I:\B_Productions\1-5950-1\B5-Davidson\Roadway\1-5950_ddc_20-1.dwg
\$\$\$\$USERNAME\$\$\$