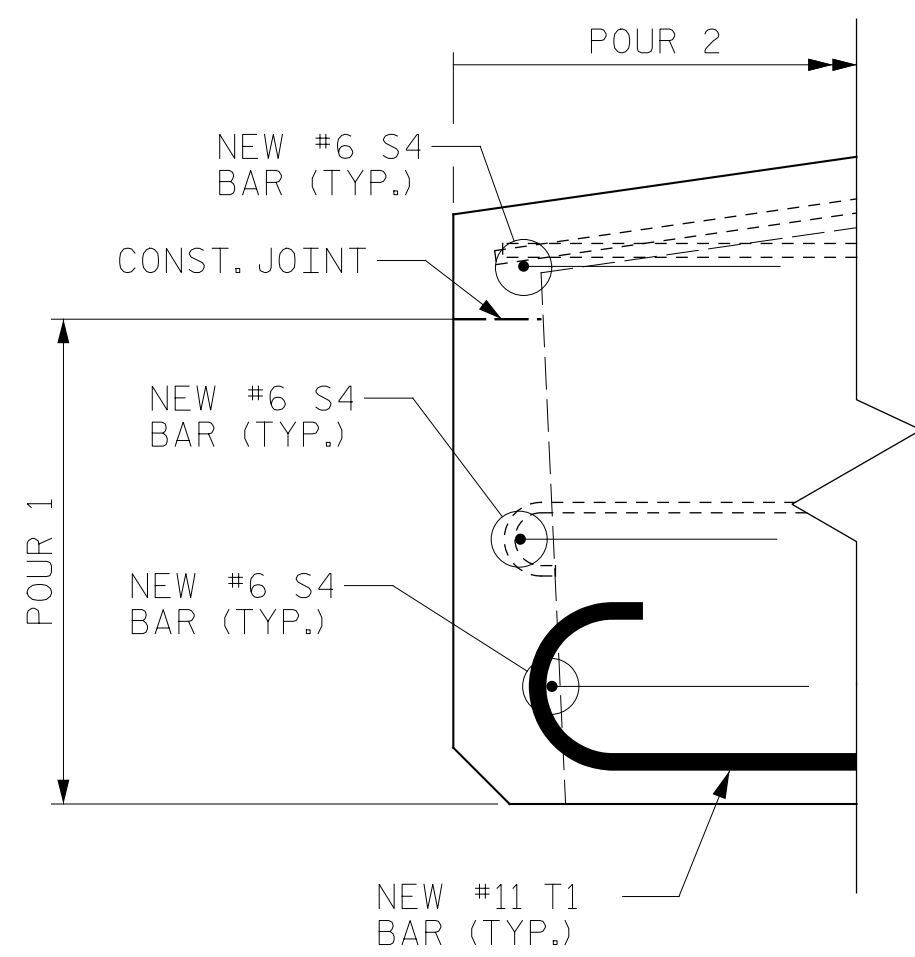
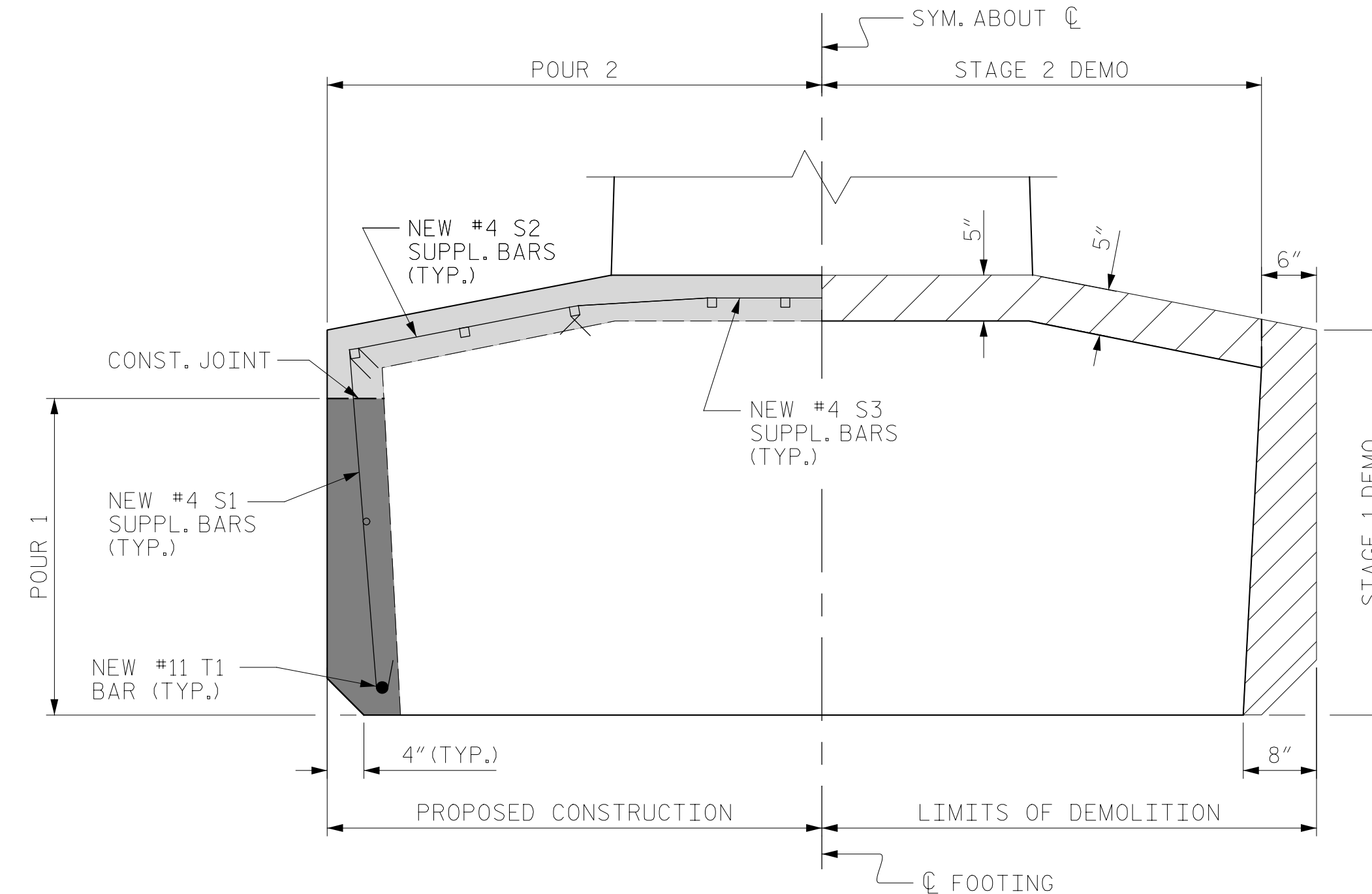


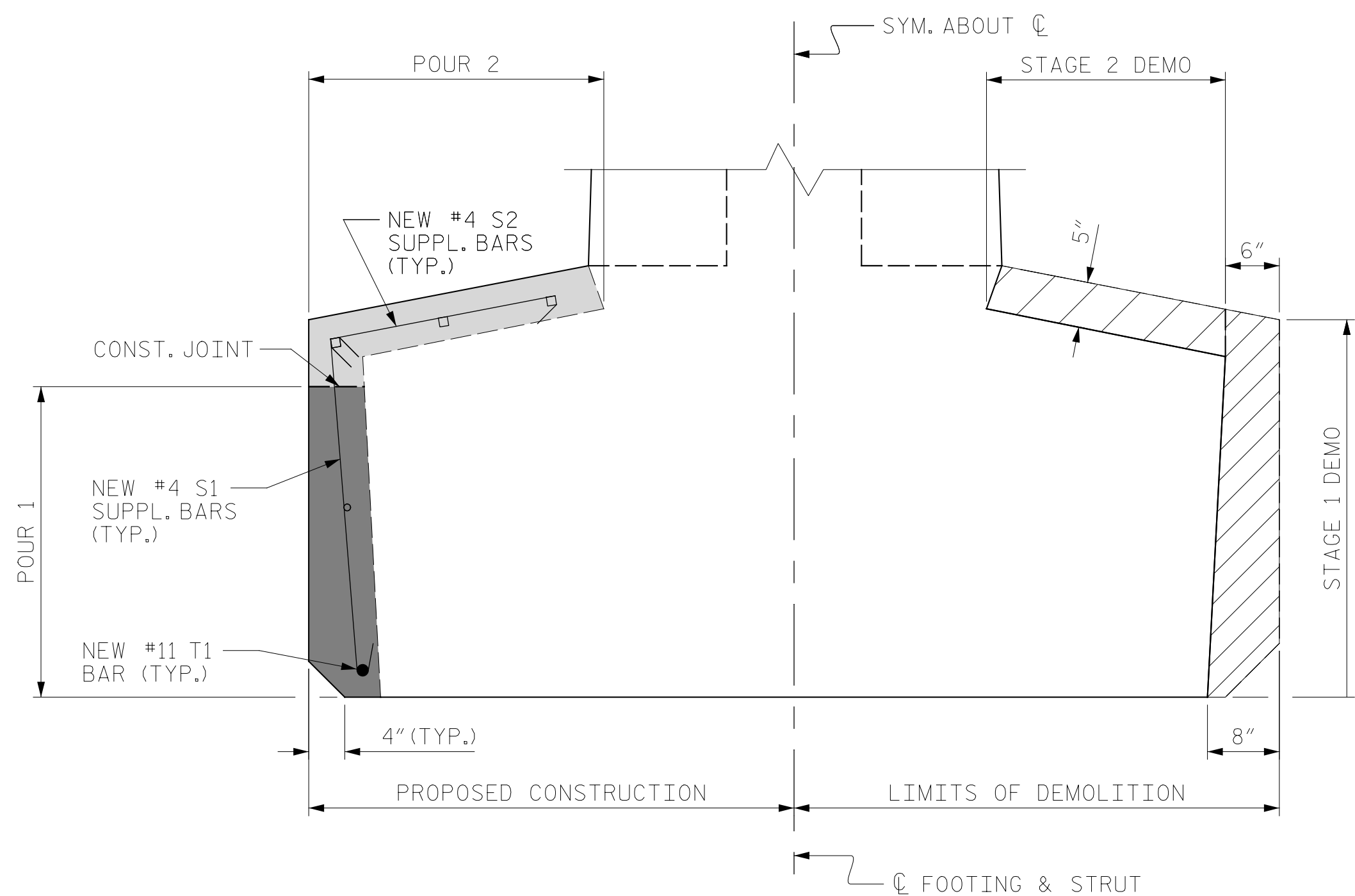
SECTION B-B  
FOOTING RESTORATION



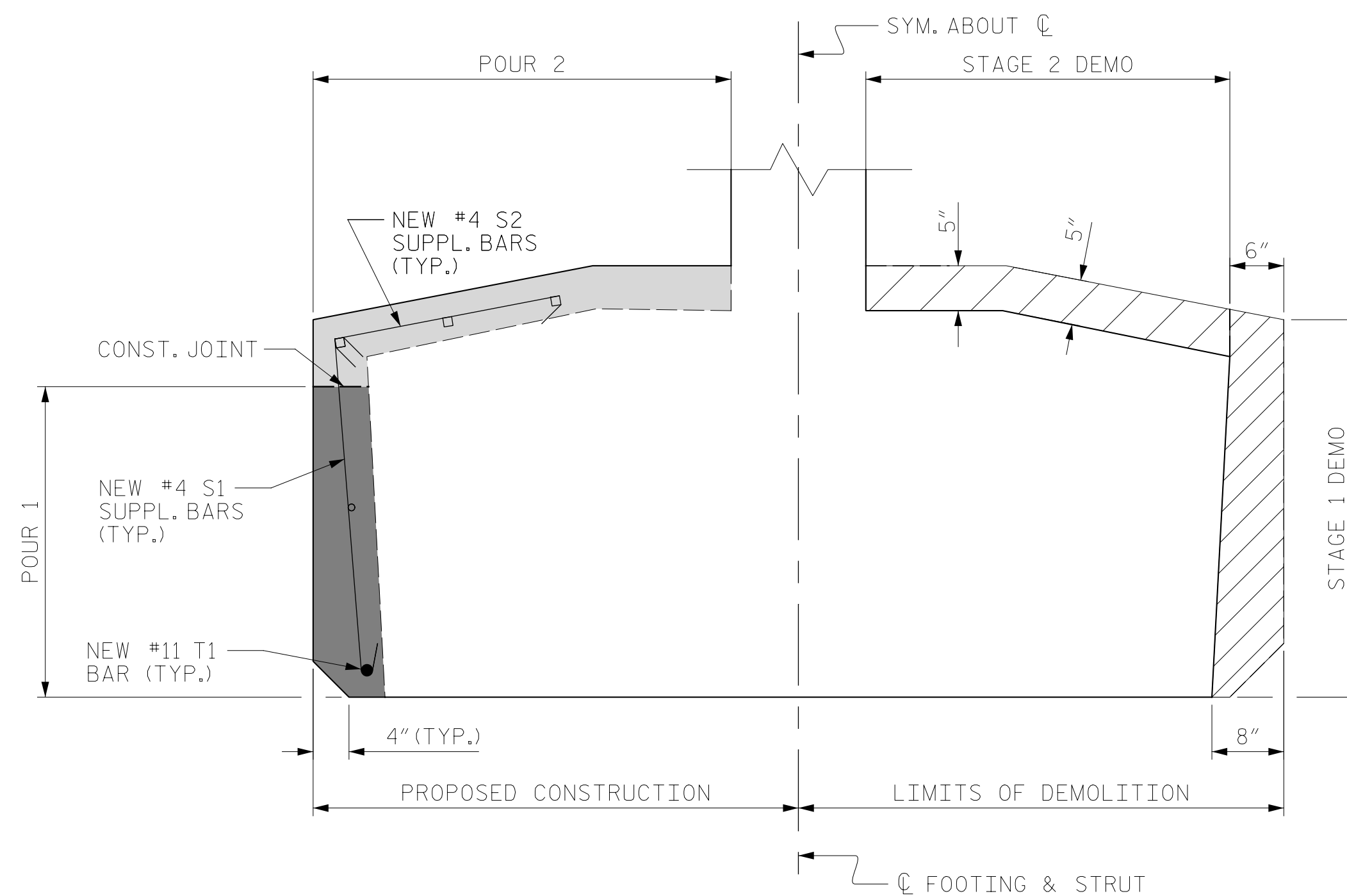
SECTION G-G  
FOOTING RESTORATION



SECTION C-C  
FOOTING RESTORATION



SECTION D-D  
FOOTING RESTORATION



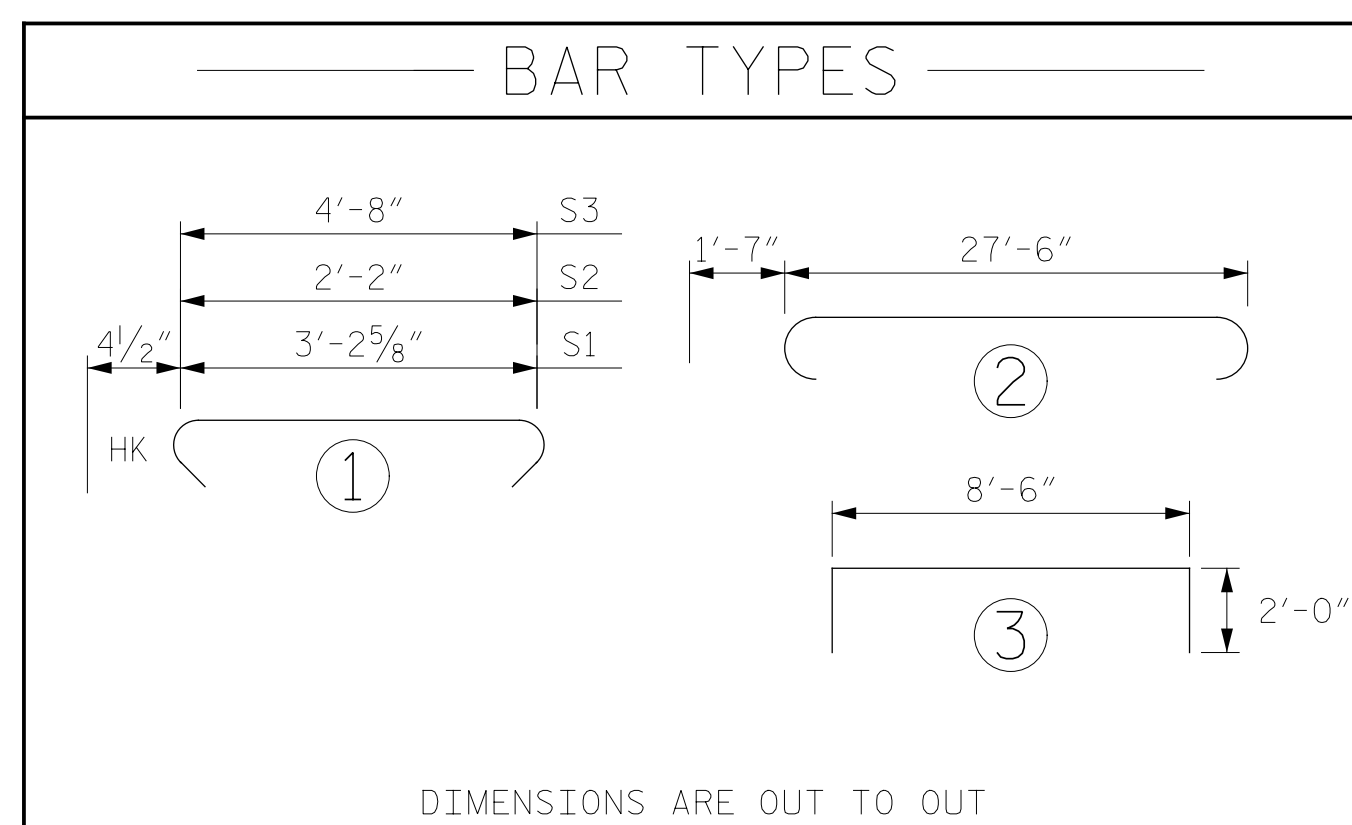
SECTION E-E  
FOOTING RESTORATION

- STAGE 1 DEMOLITION
- STAGE 2 DEMOLITION
- POUR 1
- POUR 2

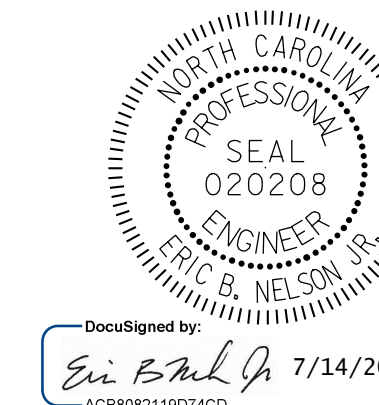
PROJECT NO. HB-0017  
DARE COUNTY  
 BRIDGE NO. 270009

SHEET 2 OF 3

FOOTING BILL OF MATERIAL (REQUIRED PER BENT)					
BAR	NO.	SIZE	TYPE	LENGTH	WEIGHT
S1	46	#4	1	3'-11 <sup>5</sup> / <sub>8</sub> "	123 LBS
S2	46	#4	1	3'-8"	114 LBS
S3	6	#4	1	5'-5"	22 LBS
S4	6	#6	3	12'-6"	113 LBS
T1	2	#11	2	30'-8"	326 LBS
REINFORCING STEEL					698 LBS
CLASS AA CONCRETE					8.5 C.Y.



DIMENSIONS ARE OUT TO OUT



DOCUMENT NOT CONSIDERED FINAL UNLESS ALL SIGNATURES COMPLETED

STATE OF NORTH CAROLINA  
 DEPARTMENT OF TRANSPORTATION  
 RALEIGH  
 PILE FOOTING RESTORATION  
 BENT 129 THRU 132 AND 143 THRU 146

REVISIONS						SHEET NO.
NO.	BY:	DATE:	NO.	BY:	DATE:	S-344
1			3			TOTAL SHEETS
2			4			355

DRAWN BY: T. HARTLEY DATE: 4/2019  
 CHECKED BY: R. NELSON DATE: 4/2019