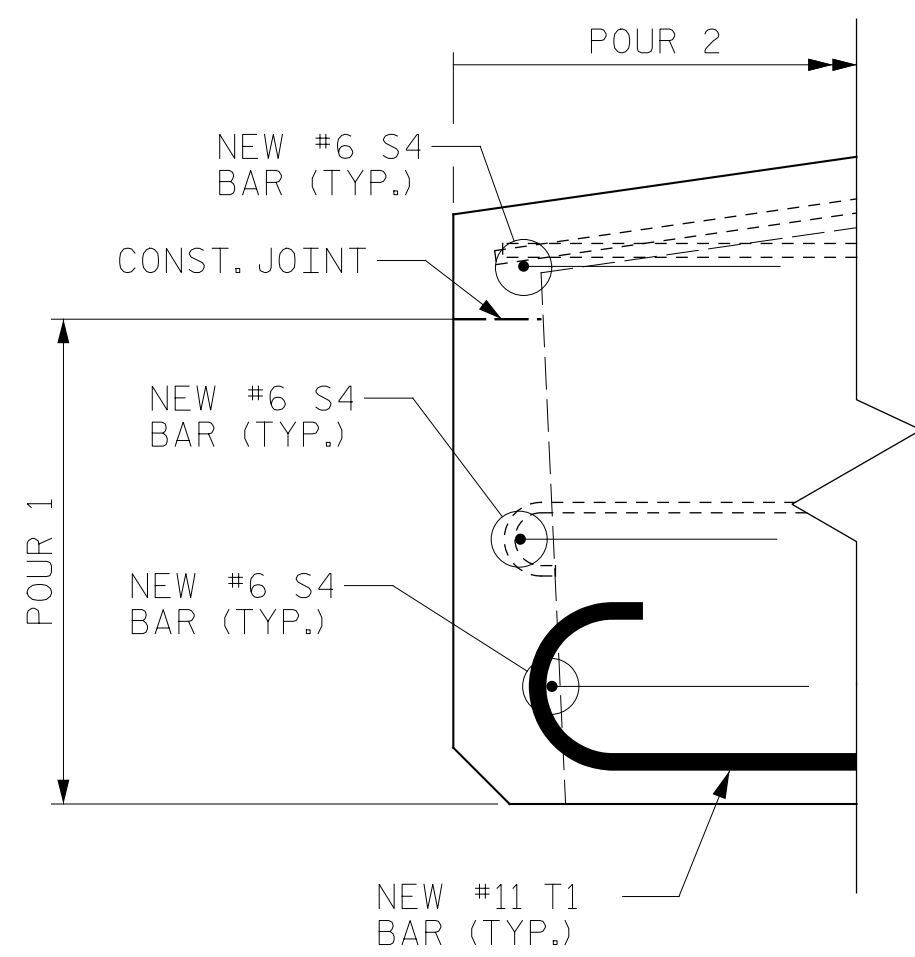
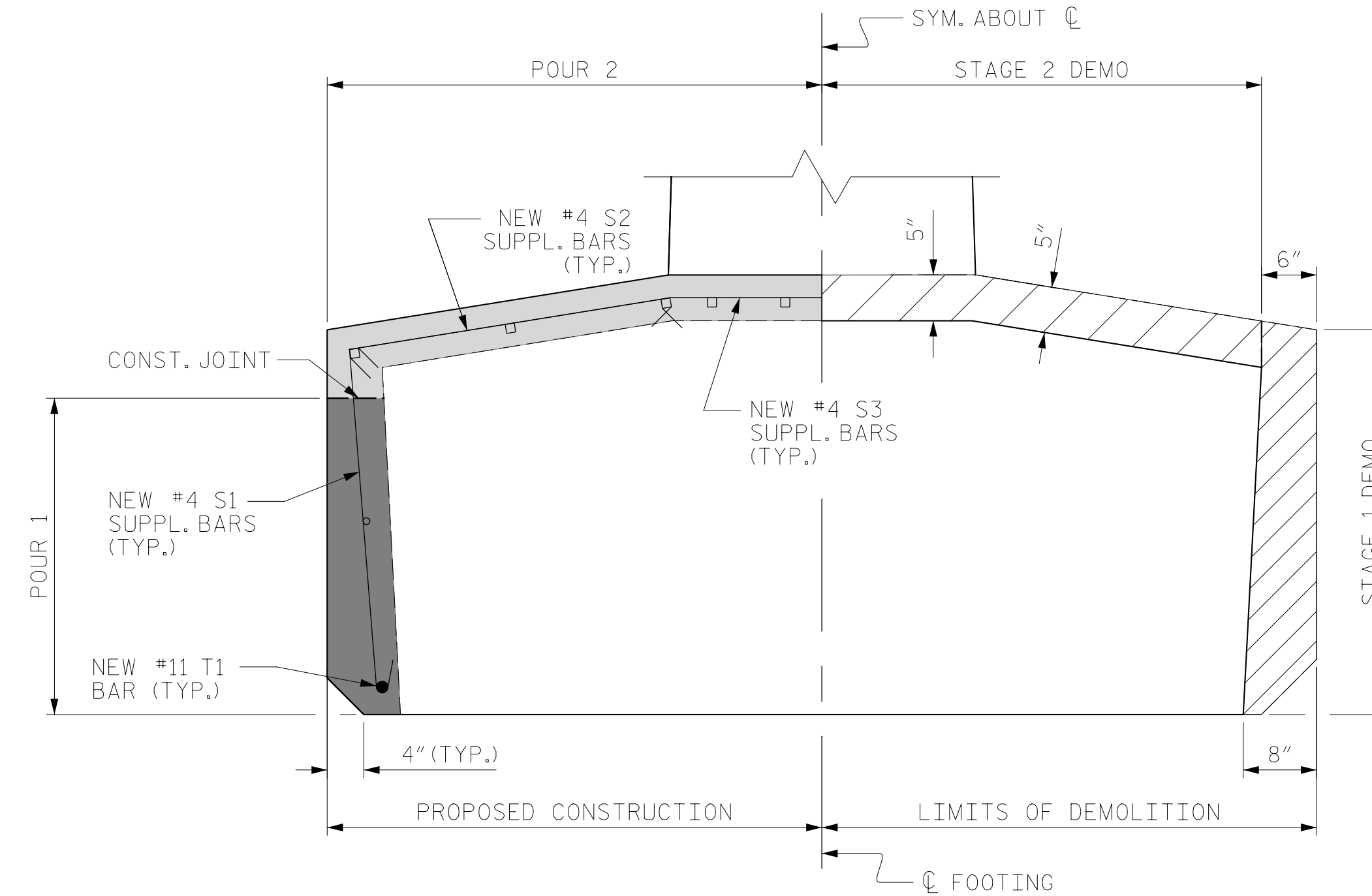


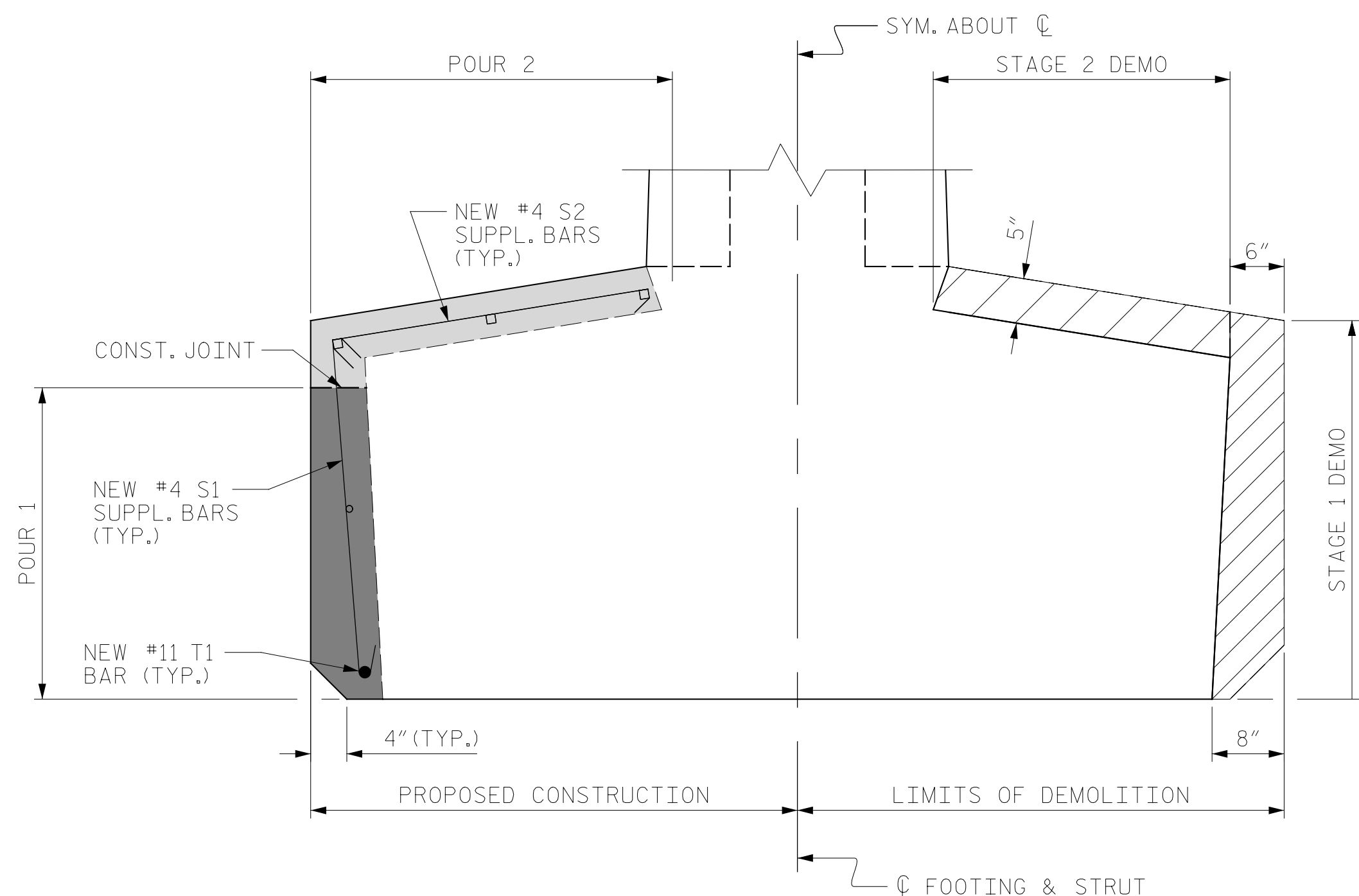
SECTION B-B
FOOTING RESTORATION



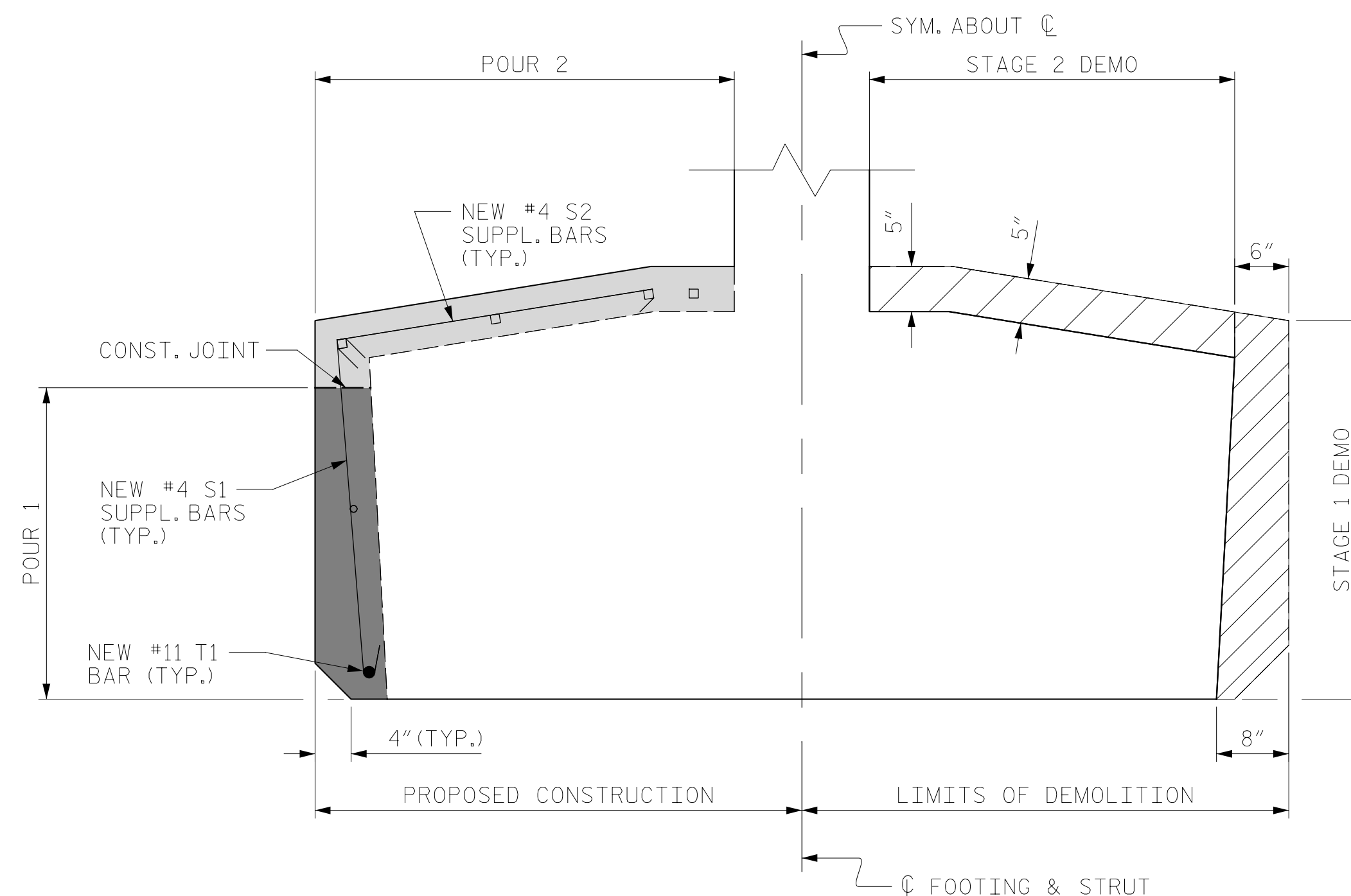
SECTION G-G
FOOTING RESTORATION



SECTION C-C
FOOTING RESTORATION



SECTION D-D
FOOTING RESTORATION



SECTION E-E
FOOTING RESTORATION

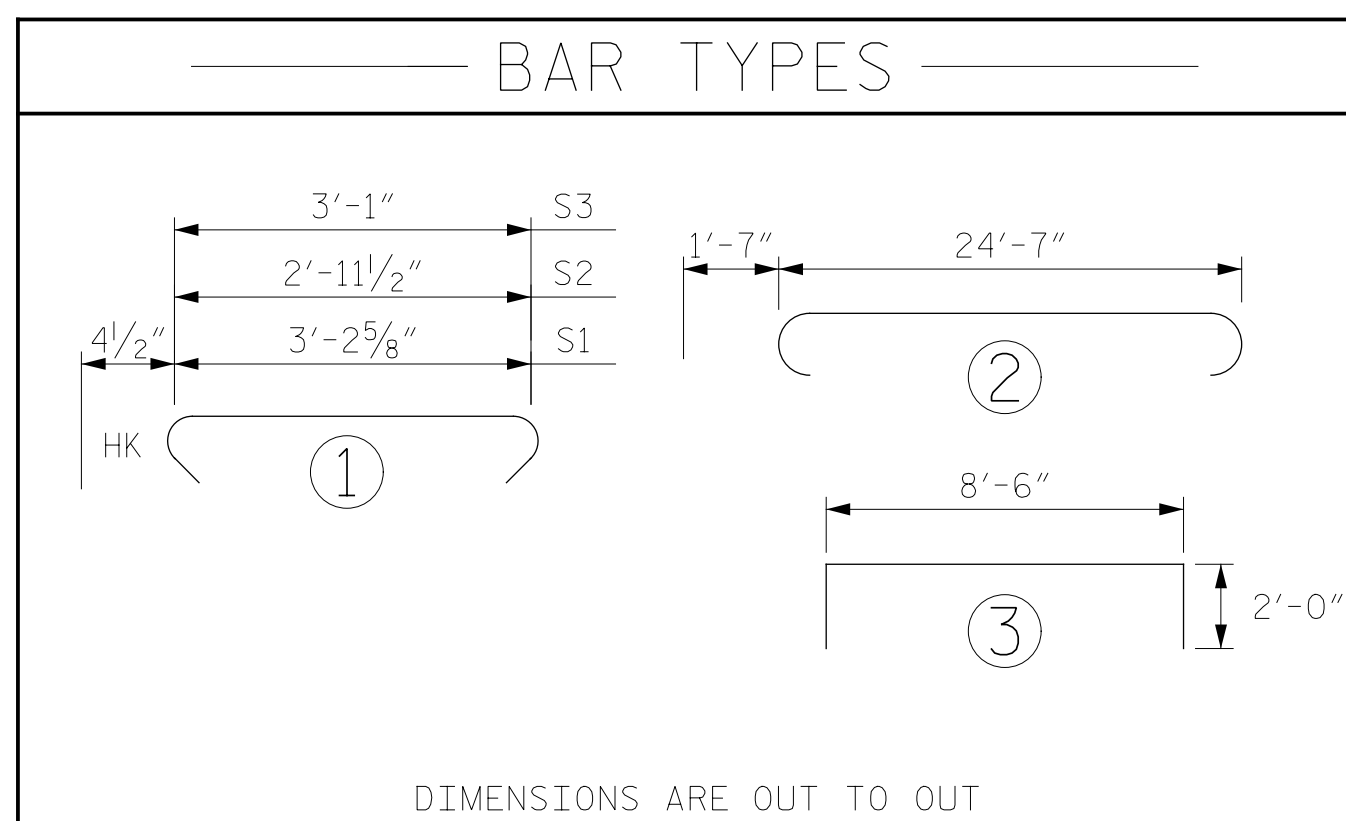
- STAGE 3 DEMOLITION
- STAGE 2 DEMOLITION
- POUR 1
- POUR 2

PROJECT NO. HB-0017
DARE COUNTY
 BRIDGE NO. 270009

SHEET 2 OF 3

FOOTING BILL OF MATERIAL (REQUIRED PER BENT)

BAR	NO.	SIZE	TYPE	LENGTH	WEIGHT
S1	40	#4	1	3'-11 ⁵ / ₈ "	107 LBS
S2	40	#4	1	3'-8 ¹ / ₂ "	100 LBS
S3	6	#4	1	3'-10"	16 LBS
S4	6	#6	3	12'-6"	113 LBS
T1	2	#11	2	27'-9"	295 LBS
REINFORCING STEEL					631 LBS
CLASS AA CONCRETE					8.3 C.Y.



DocuSigned by:
 Eric B. Nelson
 7/14/2022

STATE OF NORTH CAROLINA
 DEPARTMENT OF TRANSPORTATION
 RALEIGH

**PILE FOOTING RESTORATION
 BENT 121 AND 154**

REVISIONS						SHEET NO.
NO.	BY:	DATE:	NO.	BY:	DATE:	S-335
1			3			TOTAL SHEETS
2			4			355

DRAWN BY: M. LEE DATE: 4/2019
 CHECKED BY: R. NELSON DATE: 4/2019



DOCUMENT NOT CONSIDERED
 FINAL UNLESS ALL
 SIGNATURES COMPLETED