

AS-BUILT REPAIR QUANTITY TABLE

BENT 309

CAP REPAIRS		ESTIMATE			
SHOTCRETE REPAIRS	33.6 SF	16.8 CF	SF	CF	
EPOXY RESIN INJECTION	-	LF			LF
PILE REPAIRS		ESTIMATE			
PILE CONCRETE RESTORATION	8.8 SF	3.7 CF	SF	CF	
FRP PROTECTIVE SYSTEM AWL	82.5 SF				
FRP PROTECTIVE SYSTEM BWL	66.0 SF				

BENT 310

CAP REPAIRS		ESTIMATE			
SHOTCRETE REPAIRS	29.2 SF	14.6 CF	SF	CF	
EPOXY RESIN INJECTION	-	LF			LF
PILE REPAIRS		ESTIMATE			
PILE CONCRETE RESTORATION	11.8 SF	4.8 CF	SF	CF	
FRP PROTECTIVE SYSTEM AWL	104.5 SF				
FRP PROTECTIVE SYSTEM BWL	66.0 SF				

FOR CAP REPAIRS: VALUES IN CHART REPRESENT ESTIMATED REPAIR TOTALS AFTER REMOVAL OF UNSOUND CONCRETE, MIN. OF 1" BEHIND REBAR AND MIN. 2" CL. TO SAWCUT. SEE REPAIR DETAILS.

NOTES:

REPAIR LOCATIONS AND ESTIMATE OF QUANTITIES ARE GIVEN WITH THE BEST INFORMATION AVAILABLE. IF ADDITIONAL REPAIRS NOT SHOWN ON THE DRAWINGS ARE DEEMED NECESSARY BY THE ENGINEER, THE CONTRACTOR SHALL NOTE ON THE DRAWINGS THE APPROXIMATE LOCATION AND DESCRIPTION OF THE REPAIRS AND ADJUST THE ACTUAL QUANTITIES ENTERED INTO THE REPAIR QUANTITY TABLE.

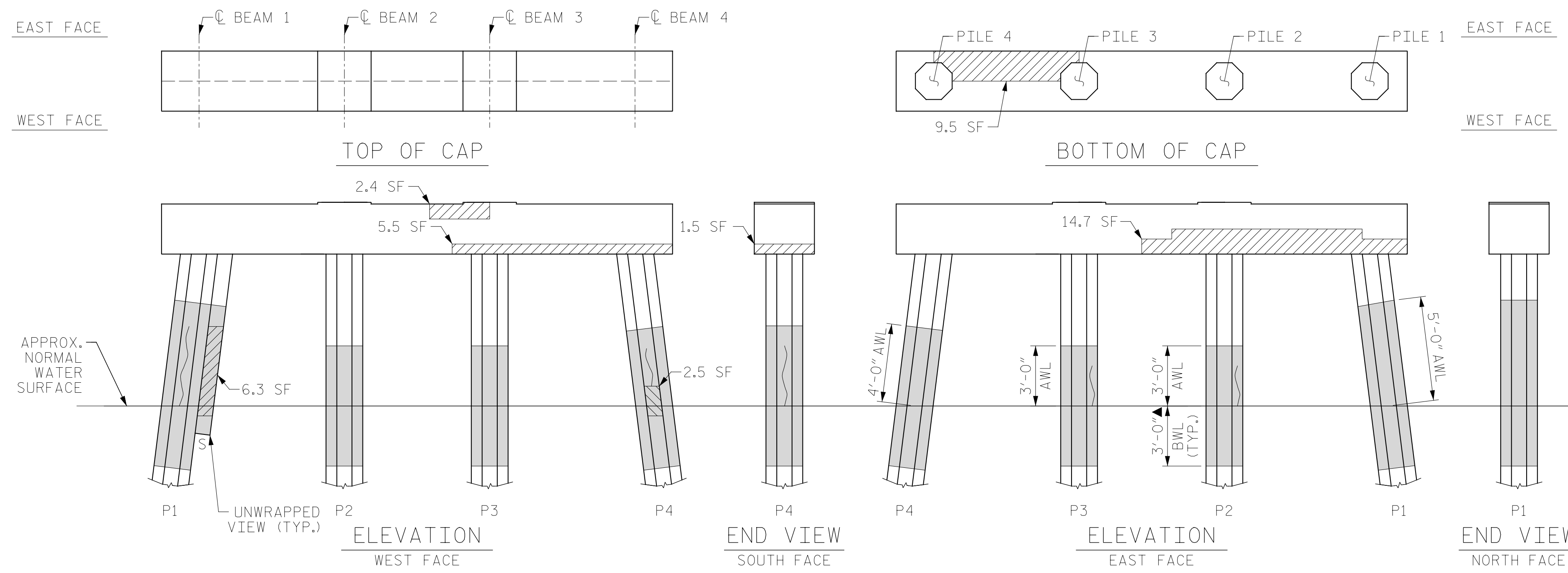
FOR SHOTCRETE REPAIRS, SEE SPECIAL PROVISIONS.

FOR CONCRETE REPAIR DETAILS, SEE "TYPICAL CAP, COLUMN & UNDERDECK REPAIR DETAILS" & "PILE CONCRETE RESTORATION DETAILS" SHEETS.

FOR PILE CONCRETE RESTORATION, SEE SPECIAL PROVISIONS.

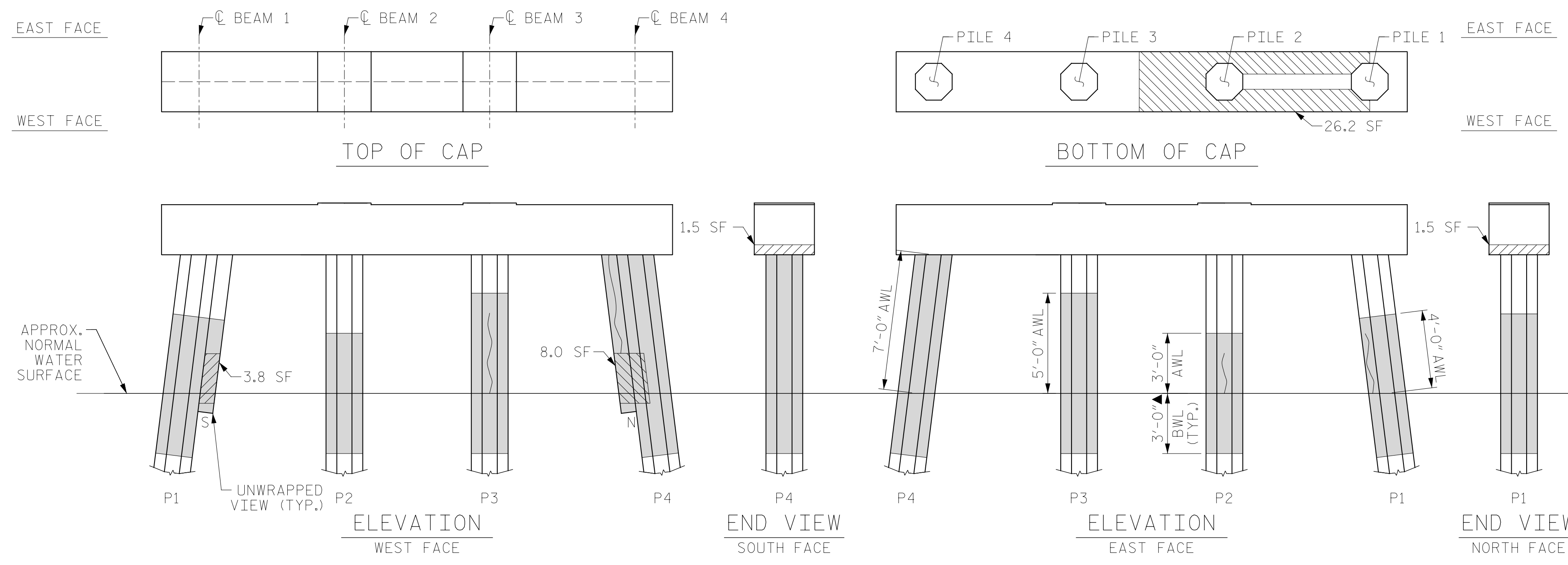
FOR FRP PROTECTIVE SYSTEM, SEE SPECIAL PROVISIONS.

FOR FRP PROTECTIVE SYSTEM DETAILS AND UNDERWATER MORTAR REPAIRS, SEE "PILE FRP PROTECTIVE SYSTEM DETAILS" SHEET.



BENT 309

(AWL = ABOVE WATERLINE)  
(BWL = BELOW WATERLINE)  
(\*QUANTITY INCLUDES ADJACENT REPAIRS)



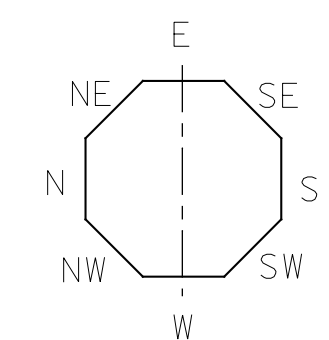
BENT 310

(AWL = ABOVE WATERLINE)  
(BWL = BELOW WATERLINE)  
(\*QUANTITY INCLUDES ADJACENT REPAIRS)

ESTIMATED PILE CRACK QTY. TABLE

		NW	W	SW	S	SE	E	NE	N
BENT 309	PILE 1	3	4	4	-	4	-	-	-
	PILE 2	1	-	-	-	-	-	2	-
	PILE 3	2	-	-	-	-	-	2	-
	PILE 4	-	2	-	4	-	-	-	-
BENT 310	PILE 1	-	-	-	-	3	-	-	1
	PILE 2	-	-	-	2	2	2	2	2
	PILE 3	3	4	3	-	-	2	3	3
	PILE 4	-	-	-	4	3	-	-	3

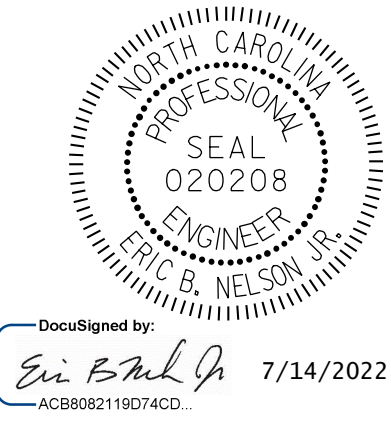
NOTE: FOR INFORMATION ON PILE CONDITION ONLY.



▲ FRP PROTECTIVE SYSTEM BELOW WATERLINE MAY INCLUDE APPROVED UNDERWATER MORTAR REPAIRS

- ERI - EPOXY RESIN INJECTION
- [Hatched Box] - FRP PROTECTIVE SYSTEM
- [Diagonal Lines Box] - PILE CONCRETE RESTORATION
- [Cross-hatched Box] - SHOTCRETE REPAIRS

PROJECT NO. HB-0017  
DARE COUNTY  
BRIDGE NO. 270009



STATE OF NORTH CAROLINA  
DEPARTMENT OF TRANSPORTATION  
RALEIGH

BENT 309 & BENT 310

DRAWN BY: T. HARTLEY DATE: 2/2019  
CHECKED BY: J. FARNHAM DATE: 4/2019



REVISIONS						SHEET NO.
NO.	BY:	DATE:	NO.	BY:	DATE:	S-324
1			3			TOTAL SHEETS
2			4			355

DOCUMENT NOT CONSIDERED FINAL UNLESS ALL SIGNATURES COMPLETED