

AS-BUILT REPAIR QUANTITY TABLE

BENT 299

CAP REPAIRS		ESTIMATE			
SHOTCRETE REPAIRS	- SF	- CF	SF	CF	
EPOXY RESIN INJECTION		- LF			LF
PILE REPAIRS		ESTIMATE			
PILE CONCRETE RESTORATION	20.5 SF	8.6 CF	SF	CF	
FRP PROTECTIVE SYSTEM AWL	126.5 SF				
FRP PROTECTIVE SYSTEM BWL	66.0 SF				

BENT 300

CAP REPAIRS		ESTIMATE			
SHOTCRETE REPAIRS	- SF	- CF	SF	CF	
EPOXY RESIN INJECTION		- LF			LF
PILE REPAIRS		ESTIMATE			
PILE CONCRETE RESTORATION	39.9 SF	15.9 CF	SF	CF	
FRP PROTECTIVE SYSTEM AWL	235.6 SF				
FRP PROTECTIVE SYSTEM BWL	82.5 SF				

FOR CAP REPAIRS: VALUES IN CHART REPRESENT ESTIMATED REPAIR TOTALS AFTER REMOVAL OF UNSOUND CONCRETE, MIN. OF 1" BEHIND REBAR AND MIN. 2" CL. TO SAWCUT. SEE REPAIR DETAILS.

NOTES:

REPAIR LOCATIONS AND ESTIMATE OF QUANTITIES ARE GIVEN WITH THE BEST INFORMATION AVAILABLE. IF ADDITIONAL REPAIRS NOT SHOWN ON THE DRAWINGS ARE DEEMED NECESSARY BY THE ENGINEER, THE CONTRACTOR SHALL NOTE ON THE DRAWINGS THE APPROXIMATE LOCATION AND DESCRIPTION OF THE REPAIRS AND ADJUST THE ACTUAL QUANTITIES ENTERED INTO THE REPAIR QUANTITY TABLE.

FOR SHOTCRETE REPAIRS, SEE SPECIAL PROVISIONS.

FOR CONCRETE REPAIR DETAILS, SEE "TYPICAL CAP, COLUMN & UNDERDECK REPAIR DETAILS" & "PILE CONCRETE RESTORATION DETAILS" SHEETS.

FOR PILE CONCRETE RESTORATION, SEE SPECIAL PROVISIONS.

FOR FRP PROTECTIVE SYSTEM, SEE SPECIAL PROVISIONS.

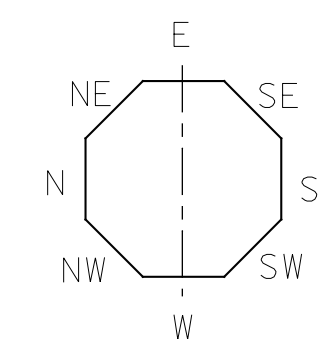
FOR FRP PROTECTIVE SYSTEM DETAILS AND UNDERWATER MORTAR REPAIRS, SEE "PILE FRP PROTECTIVE SYSTEM DETAILS" SHEET.

ESTIMATED PILE CRACK QTY. TABLE

BENT	PILE	DIRECTION							
		NW	W	SW	S	SE	E	NE	N
299	PILE 1	3	4	5	-	5	-	-	-
	PILE 2	-	-	2	-	-	3	3	-
	PILE 3	2	2	2	2	-	2	2	-
	PILE 4	3	3	3	3	-	2	2	-
300	PILE 1	7	-	6	-	-	-	-	5
	PILE 2	-	-	-	-	-	-	-	-
	PILE 3	-	-	-	5	4	5	6	4
	PILE 4	-	-	10	10	-	12	3	-
	PILE 5	-	-	-	3	-	-	-	-
	PILE 6	-	-	-	4	4	2	-	4

NOTE: FOR INFORMATION ON PILE CONDITION ONLY.

PROJECT NO. HB-0017
DARE COUNTY
 BRIDGE NO. 270009

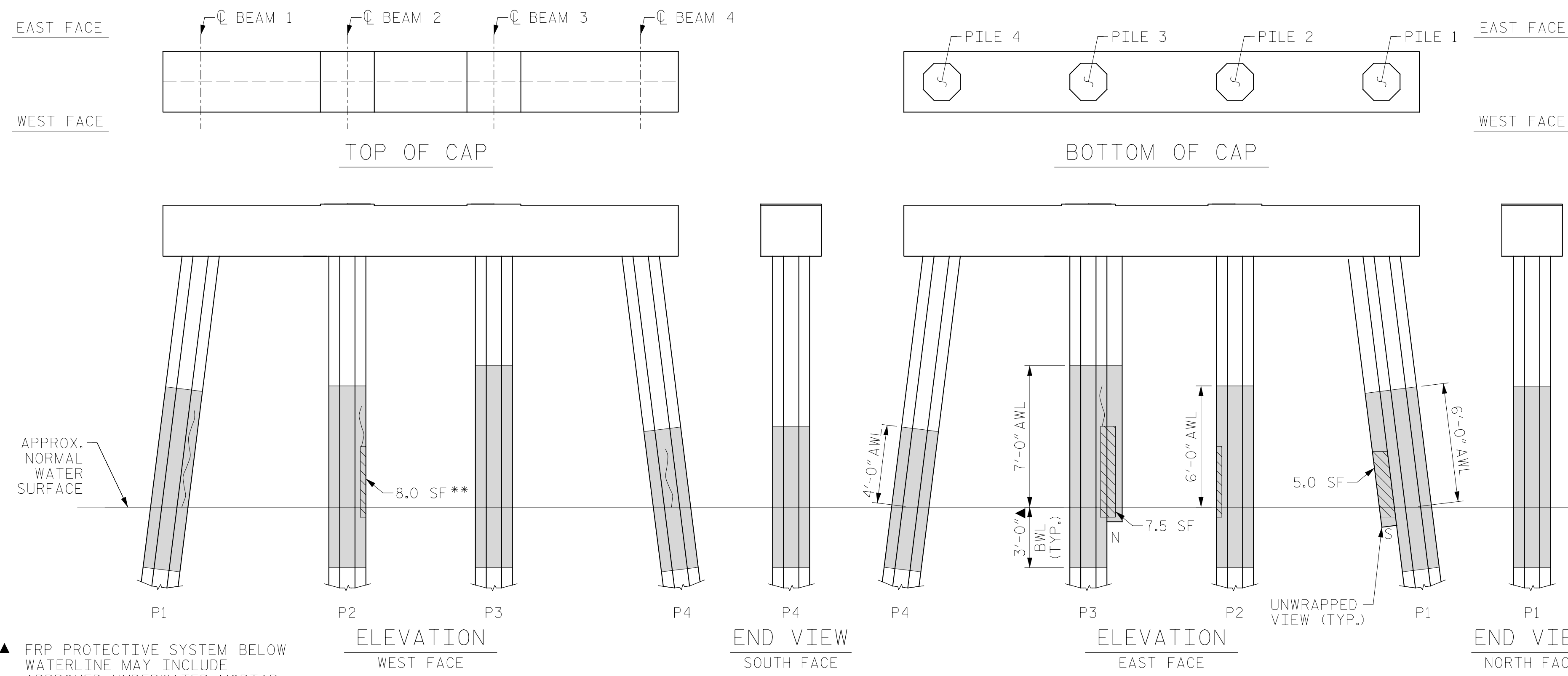


DOCUMENT NOT CONSIDERED FINAL UNLESS ALL SIGNATURES COMPLETED

STATE OF NORTH CAROLINA
 DEPARTMENT OF TRANSPORTATION
 RALEIGH

BENT 299 & BENT 300

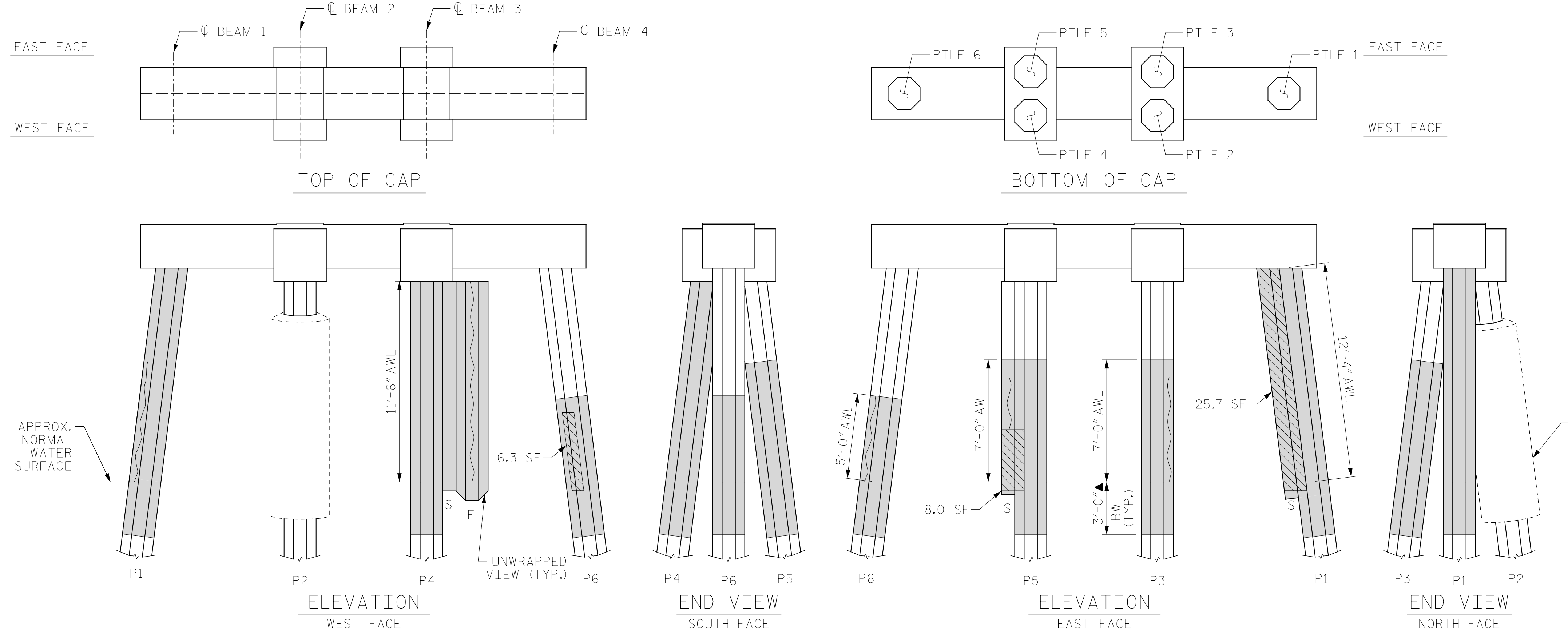
REVISIONS						SHEET NO.
NO.	BY:	DATE:	NO.	BY:	DATE:	S-319
1			3			TOTAL SHEETS
2			4			355



▲ FRP PROTECTIVE SYSTEM BELOW WATERLINE MAY INCLUDE APPROVED UNDERWATER MORTAR REPAIRS

BENT 299

(AWL = ABOVE WATERLINE) (BWL = BELOW WATERLINE)
 (** QUANTITY INCLUDES ADJACENT REPAIRS)



BENT 300

(AWL = ABOVE WATERLINE) (BWL = BELOW WATERLINE)
 (** QUANTITY INCLUDES ADJACENT REPAIRS)

ERI - EPOXY RESIN INJECTION
 - FRP PROTECTIVE SYSTEM
 - PILE CONCRETE RESTORATION
 - SHOTCRETE REPAIRS

DRAWN BY: T. HARTLEY DATE: 2/2019
 CHECKED BY: J. FARNHAM DATE: 4/2019

