

AS-BUILT REPAIR QUANTITY TABLE

BENT 263

CAP REPAIRS		ESTIMATE			
SHOTCRETE REPAIRS	0.7 SF	0.4 CF	SF	CF	
EPOXY RESIN INJECTION	- LF				LF
PILE REPAIRS		ESTIMATE			
PILE CONCRETE RESTORATION	8.8 SF	3.7 CF	SF	CF	
FRP PROTECTIVE SYSTEM AWL	77.0 SF				
FRP PROTECTIVE SYSTEM BWL	33.0 SF				

BENT 264

CAP REPAIRS		ESTIMATE			
SHOTCRETE REPAIRS	- SF	- CF	SF	CF	
EPOXY RESIN INJECTION	- LF				LF
PILE REPAIRS		ESTIMATE			
PILE CONCRETE RESTORATION	10.0 SF	4.2 CF	SF	CF	
FRP PROTECTIVE SYSTEM AWL	137.5 SF				
FRP PROTECTIVE SYSTEM BWL	49.5 SF				

FOR CAP REPAIRS: VALUES IN CHART REPRESENT ESTIMATED REPAIR TOTALS AFTER REMOVAL OF UNSOUND CONCRETE, MIN. OF 1" BEHIND REBAR AND MIN. 2" CL. TO SAWCUT. SEE REPAIR DETAILS.

NOTES:  
REPAIR LOCATIONS AND ESTIMATE OF QUANTITIES ARE GIVEN WITH THE BEST INFORMATION AVAILABLE. IF ADDITIONAL REPAIRS NOT SHOWN ON THE DRAWINGS ARE DEEMED NECESSARY BY THE ENGINEER, THE CONTRACTOR SHALL NOTE ON THE DRAWINGS THE APPROXIMATE LOCATION AND DESCRIPTION OF THE REPAIRS AND ADJUST THE ACTUAL QUANTITIES ENTERED INTO THE REPAIR QUANTITY TABLE.

FOR SHOTCRETE REPAIRS, SEE SPECIAL PROVISIONS.  
FOR CONCRETE REPAIR DETAILS, SEE "TYPICAL CAP, COLUMN & UNDERDECK REPAIR DETAILS" & "PILE CONCRETE RESTORATION DETAILS" SHEETS.  
FOR PILE CONCRETE RESTORATION, SEE SPECIAL PROVISIONS.  
FOR FRP PROTECTIVE SYSTEM, SEE SPECIAL PROVISIONS.  
FOR FRP PROTECTIVE SYSTEM DETAILS AND UNDERWATER MORTAR REPAIRS, SEE "PILE FRP PROTECTIVE SYSTEM DETAILS" SHEET.

ESTIMATED PILE CRACK QTY. TABLE

BENT	PILE	DIRECTION							
		NW	W	SW	S	SE	E	NE	N
263	PILE 1	-	-	-	-	-	-	-	-
	PILE 2	-	-	-	-	-	-	-	-
	PILE 3	-	-	3	-	3	-	5	5
	PILE 4	7	4	-	2	5	-	6	-
264	PILE 1	-	-	-	-	-	-	-	-
	PILE 2	8	-	-	6	4	4	8	-
	PILE 3	7	-	6	1	-	5	-	7
	PILE 4	7	-	2	-	3	-	-	-

NOTE: FOR INFORMATION ON PILE CONDITION ONLY.

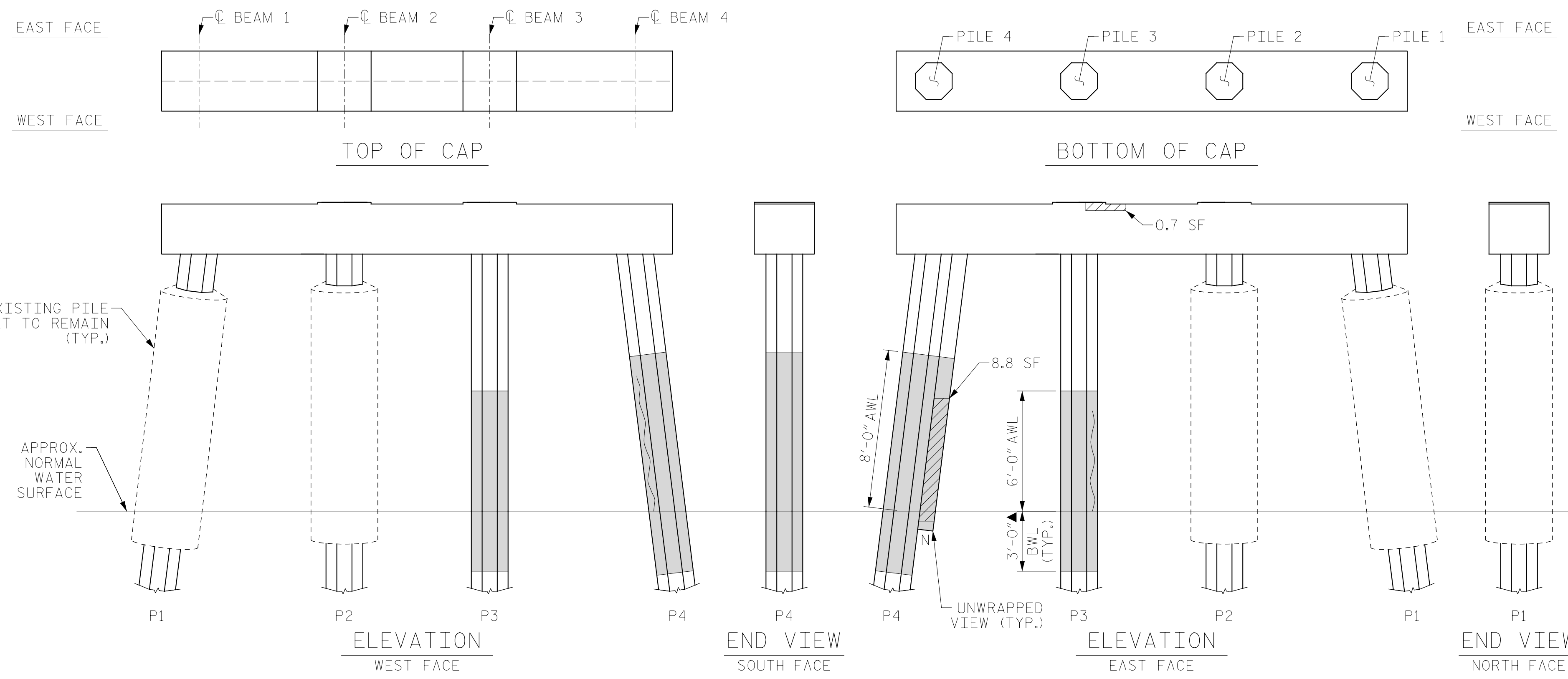
PROJECT NO. HB-0017  
DARE COUNTY  
 BRIDGE NO. 270009



STATE OF NORTH CAROLINA  
 DEPARTMENT OF TRANSPORTATION  
 RALEIGH  
**BENT 263 & BENT 264**

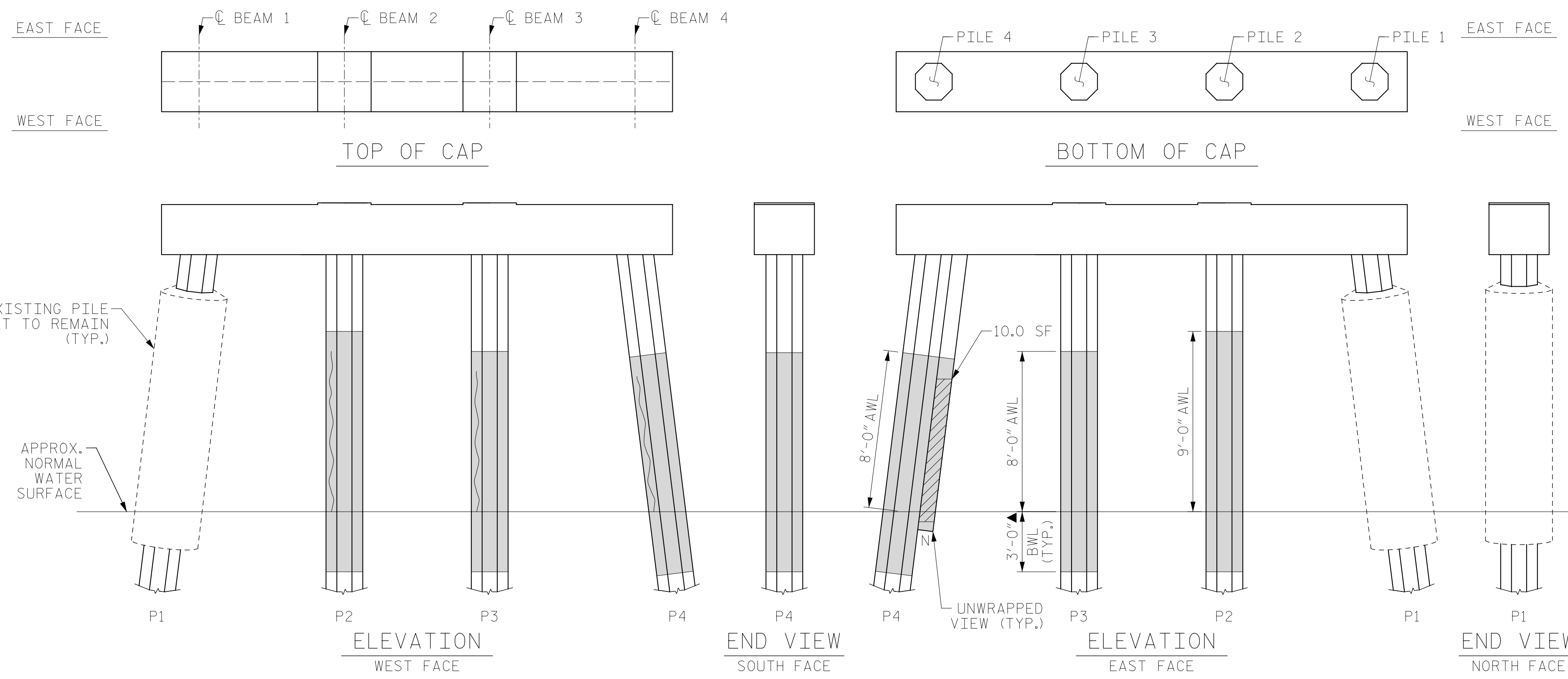
REVISIONS						SHEET NO.
NO.	BY:	DATE:	NO.	BY:	DATE:	TOTAL SHEETS
1			3			355
2			4			

DOCUMENT NOT CONSIDERED FINAL UNLESS ALL SIGNATURES COMPLETED



BENT 263

(AWL = ABOVE WATERLINE)  
 (BWL = BELOW WATERLINE)  
 (\*\*QUANTITY INCLUDES ADJACENT REPAIRS)



BENT 264

(AWL = ABOVE WATERLINE)  
 (BWL = BELOW WATERLINE)  
 (\*\*QUANTITY INCLUDES ADJACENT REPAIRS)

DRAWN BY: T. HARTLEY DATE: 2/2019  
 CHECKED BY: J. FARNHAM DATE: 4/2019