

AS-BUILT REPAIR QUANTITY TABLE

BENT 243

CAP REPAIRS			
SHOTCRETE REPAIRS	4.3 SF	2.2 CF	SF CF
EPOXY RESIN INJECTION	- LF		LF
PILE REPAIRS			
PILE CONCRETE RESTORATION	22.3 SF	9.0 CF	SF CF
FRP PROTECTIVE SYSTEM AWL	176.0 SF		
FRP PROTECTIVE SYSTEM BWL	66.0 SF		

BENT 244

CAP REPAIRS			
SHOTCRETE REPAIRS	5.0 SF	2.5 CF	SF CF
EPOXY RESIN INJECTION	- LF		LF
PILE REPAIRS			
PILE CONCRETE RESTORATION	21.9 SF	9.5 CF	SF CF
FRP PROTECTIVE SYSTEM AWL	291.0 SF		
FRP PROTECTIVE SYSTEM BWL	99.0 SF		

FOR CAP REPAIRS: VALUES IN CHART REPRESENT ESTIMATED REPAIR TOTALS AFTER REMOVAL OF UNSOUND CONCRETE, MIN. OF 1" BEHIND REBAR AND MIN. 2" CL. TO SAWCUT. SEE REPAIR DETAILS.

NOTES:

REPAIR LOCATIONS AND ESTIMATE OF QUANTITIES ARE GIVEN WITH THE BEST INFORMATION AVAILABLE. IF ADDITIONAL REPAIRS NOT SHOWN ON THE DRAWINGS ARE DEEMED NECESSARY BY THE ENGINEER, THE CONTRACTOR SHALL NOTE ON THE DRAWINGS THE APPROXIMATE LOCATION AND DESCRIPTION OF THE REPAIRS AND ADJUST THE ACTUAL QUANTITIES ENTERED INTO THE REPAIR QUANTITY TABLE.

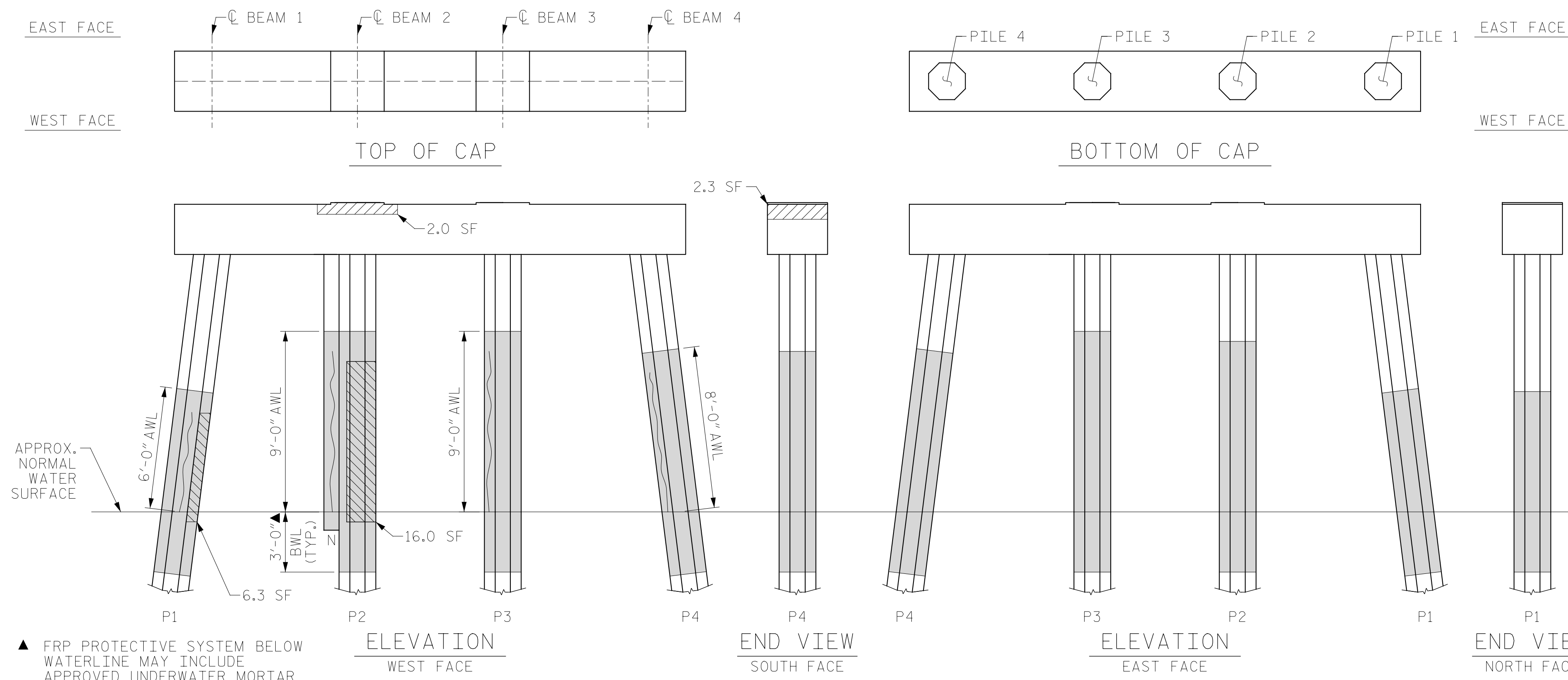
FOR SHOTCRETE REPAIRS, SEE SPECIAL PROVISIONS.

FOR CONCRETE REPAIR DETAILS, SEE "TYPICAL CAP, COLUMN & UNDERDECK REPAIR DETAILS" & "PILE CONCRETE RESTORATION DETAILS" SHEETS.

FOR PILE CONCRETE RESTORATION, SEE SPECIAL PROVISIONS.

FOR FRP PROTECTIVE SYSTEM, SEE SPECIAL PROVISIONS.

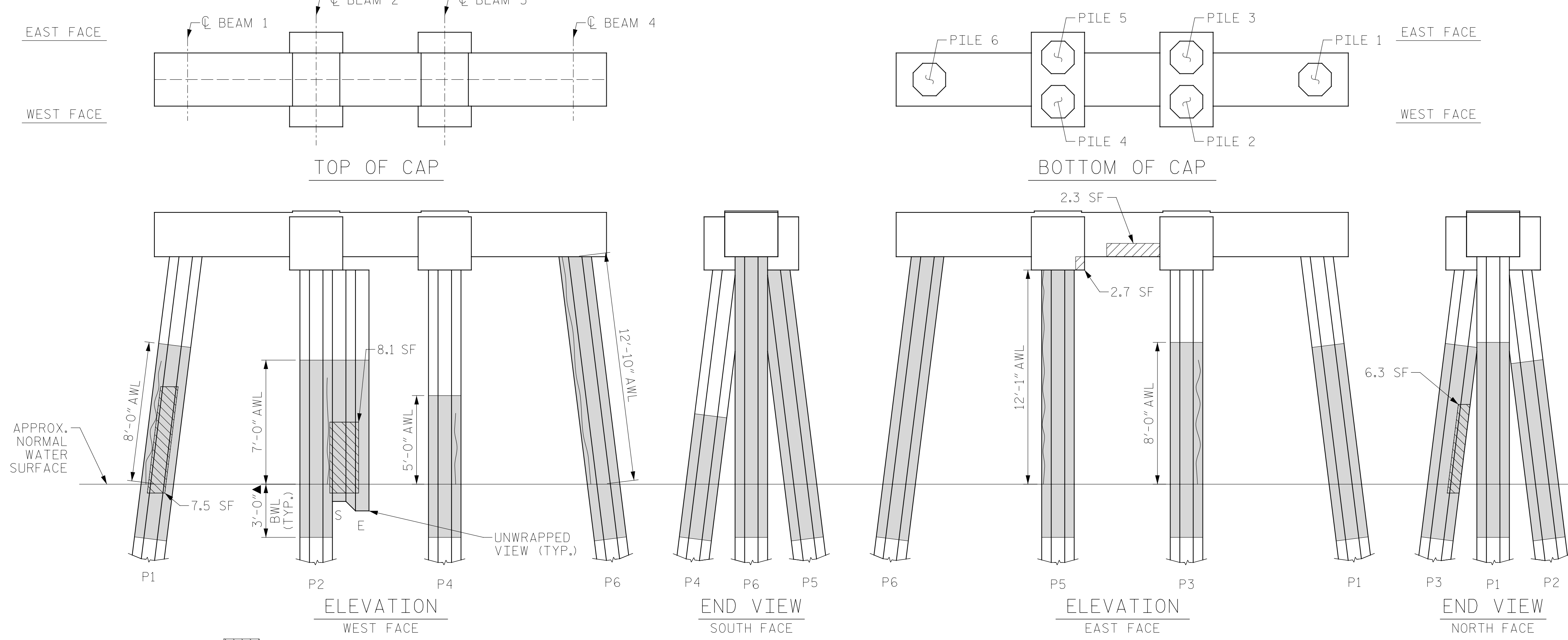
FOR FRP PROTECTIVE SYSTEM DETAILS AND UNDERWATER MORTAR REPAIRS, SEE "PILE FRP PROTECTIVE SYSTEM DETAILS" SHEET.



▲ FRP PROTECTIVE SYSTEM BELOW WATERLINE MAY INCLUDE APPROVED UNDERWATER MORTAR REPAIRS

BENT 243

(AWL = ABOVE WATERLINE) (BWL = BELOW WATERLINE) (**QUANTITY INCLUDES ADJACENT REPAIRS)



ESTIMATED PILE CRACK QTY. TABLE

BENT	PILE	DIRECTION							
		NW	W	SW	S	SE	E	NE	N
243	PILE 1	3	5	-	-	5	4	-	-
	PILE 2	-	-	-	3	3	-	7	8
	PILE 3	8	6	4	3	-	-	-	-
	PILE 4	6	3	4	-	-	4	-	7
244	PILE 1	6	-	-	-	7	-	-	7
	PILE 2	-	-	5	2	-	-	-	-
	PILE 3	-	4	-	-	4	-	7	7
	PILE 4	-	-	4	-	4	-	-	4
	PILE 5	3	12	3	6	-	-	-	-
	PILE 6	-	9	-	-	4	-	-	12

NOTE: FOR INFORMATION ON PILE CONDITION ONLY.

PROJECT NO. HB-0017
 DARE COUNTY
 BRIDGE NO. 270009



STATE OF NORTH CAROLINA
 DEPARTMENT OF TRANSPORTATION
 RALEIGH
 BENT 243 & BENT 244

ERI - EPOXY RESIN INJECTION
 - PILE CONCRETE RESTORATION
 - FRP PROTECTIVE SYSTEM
 - SHOTCRETE REPAIRS

BENT 244

(AWL = ABOVE WATERLINE) (BWL = BELOW WATERLINE) (**QUANTITY INCLUDES ADJACENT REPAIRS)

DRAWN BY: T. HARTLEY DATE: 2/2019
 CHECKED BY: J. FARNHAM DATE: 4/2019



REVISIONS						SHEET NO.
NO.	BY:	DATE:	NO.	BY:	DATE:	S-291
1			3			TOTAL SHEETS 355
2			4			

DOCUMENT NOT CONSIDERED FINAL UNLESS ALL SIGNATURES COMPLETED