

AS-BUILT REPAIR QUANTITY TABLE

BENT 203

CAP REPAIRS			
SHOTCRETE REPAIRS	3.5 SF	1.8 CF	SF CF
EPOXY RESIN INJECTION	- LF		LF
PILE REPAIRS			
PILE CONCRETE RESTORATION	49.5 SF	21.1 CF	SF CF
FRP PROTECTIVE SYSTEM AWL	175.9 SF		
FRP PROTECTIVE SYSTEM BWL	54.9 SF		

BENT 204

CAP REPAIRS			
SHOTCRETE REPAIRS	10.0 SF	5.0 CF	SF CF
EPOXY RESIN INJECTION	- LF		LF
PILE REPAIRS			
PILE CONCRETE RESTORATION	14.0 SF	5.6 CF	SF CF
FRP PROTECTIVE SYSTEM AWL	122.0 SF		
FRP PROTECTIVE SYSTEM BWL	36.6 SF		

FOR CAP REPAIRS: VALUES IN CHART REPRESENT ESTIMATED REPAIR TOTALS AFTER REMOVAL OF UNSOUND CONCRETE, MIN. OF 1" BEHIND REBAR AND MIN. 2" CL. TO SAWCUT. SEE REPAIR DETAILS.

NOTES:
REPAIR LOCATIONS AND ESTIMATE OF QUANTITIES ARE GIVEN WITH THE BEST INFORMATION AVAILABLE. IF ADDITIONAL REPAIRS NOT SHOWN ON THE DRAWINGS ARE DEEMED NECESSARY BY THE ENGINEER, THE CONTRACTOR SHALL NOTE ON THE DRAWINGS THE APPROXIMATE LOCATION AND DESCRIPTION OF THE REPAIRS AND ADJUST THE ACTUAL QUANTITIES ENTERED INTO THE REPAIR QUANTITY TABLE.

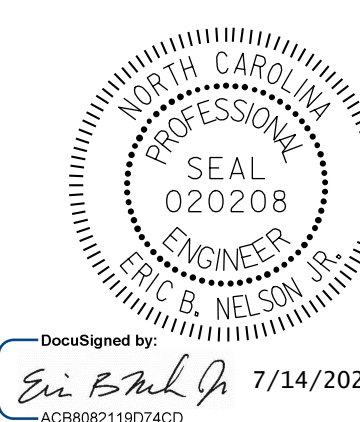
FOR SHOTCRETE REPAIRS, SEE SPECIAL PROVISIONS.
FOR CONCRETE REPAIR DETAILS, SEE "TYPICAL CAP, COLUMN & UNDERDECK REPAIR DETAILS" & "PILE CONCRETE RESTORATION DETAILS" SHEETS.
FOR PILE CONCRETE RESTORATION, SEE SPECIAL PROVISIONS.
FOR FRP PROTECTIVE SYSTEM, SEE SPECIAL PROVISIONS.
FOR FRP PROTECTIVE SYSTEM DETAILS AND UNDERWATER MORTAR REPAIRS, SEE "PILE FRP PROTECTIVE SYSTEM DETAILS" SHEET.

ESTIMATED PILE CRACK QTY. TABLE

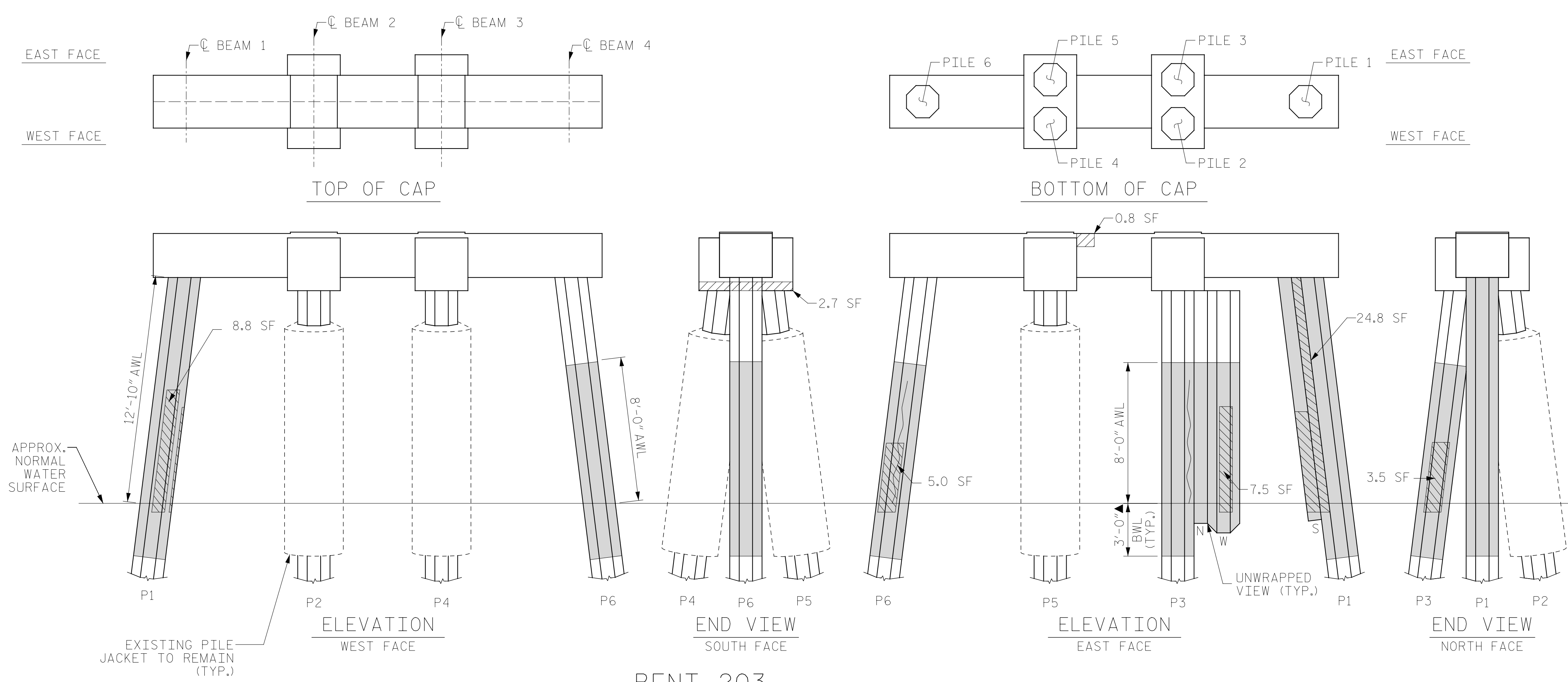
		DIRECTION							
		NW	W	SW	S	SE	E	NE	N
BENT 203	PILE 1	3	-	-	-	-	7	-	1
	PILE 2	-	-	-	-	-	-	-	-
	PILE 3	6	-	-	7	-	5	7	-
	PILE 4	-	-	-	-	-	-	-	-
	PILE 6	-	-	-	4	2	4	-	4
BENT 204	PILE 1	-	-	-	-	-	-	-	-
	PILE 2	-	-	-	-	-	-	-	-
	PILE 3	3	7	8	6	-	5	9	-
	PILE 4	7	-	6	-	2	-	4	4

NOTE: FOR INFORMATION ON PILE CONDITION ONLY.

PROJECT NO. HB-0017
DARE COUNTY
 BRIDGE NO. 270009

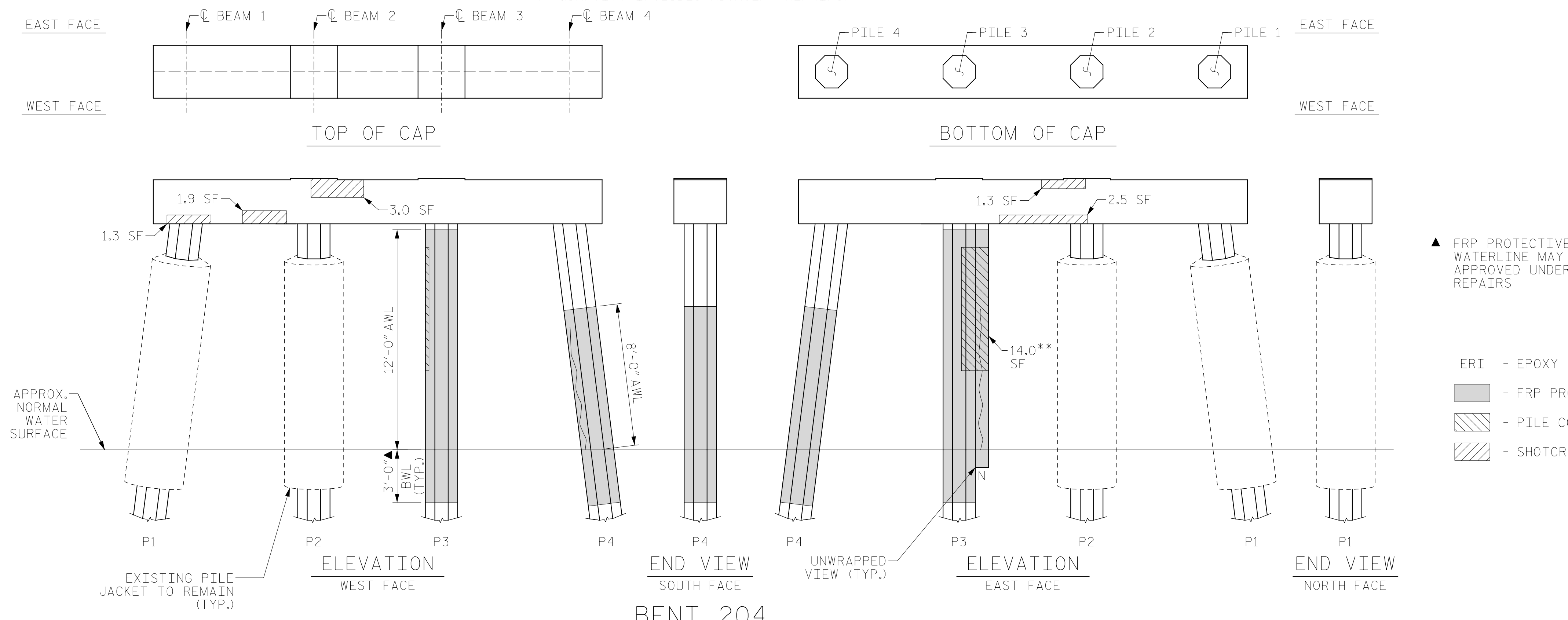


STATE OF NORTH CAROLINA
 DEPARTMENT OF TRANSPORTATION
 RALEIGH
BENT 203 & BENT 204



BENT 203

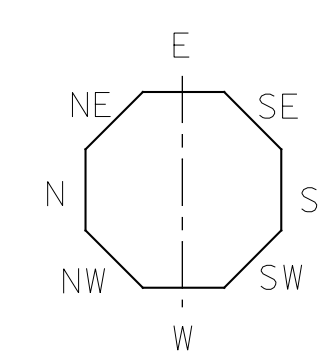
(AWL = ABOVE WATERLINE)
 (BWL = BELOW WATERLINE)
 (** QUANTITY INCLUDES ADJACENT REPAIRS)



BENT 204

(AWL = ABOVE WATERLINE)
 (BWL = BELOW WATERLINE)
 (** QUANTITY INCLUDES ADJACENT REPAIRS)

- ▲ FRP PROTECTIVE SYSTEM BELOW WATERLINE MAY INCLUDE APPROVED UNDERWATER MORTAR REPAIRS
- ERI - EPOXY RESIN INJECTION
- [Hatched Box] - FRP PROTECTIVE SYSTEM
- [Diagonal Hatched Box] - PILE CONCRETE RESTORATION
- [Cross-hatched Box] - SHOTCRETE REPAIRS



DRAWN BY: T. HARTLEY DATE: 2/2019
 CHECKED BY: J. FARNHAM DATE: 4/2019



REVISIONS						SHEET NO.
NO.	BY:	DATE:	NO.	BY:	DATE:	
1			3			S-271
2			4			

DOCUMENT NOT CONSIDERED FINAL UNLESS ALL SIGNATURES COMPLETED

TOTAL SHEETS: 355