

AS-BUILT REPAIR QUANTITY TABLE

BENT 197

CAP REPAIRS			
SHOTCRETE REPAIRS	8.8 SF	4.4 CF	SF CF
EPOXY RESIN INJECTION	- LF		LF
PILE REPAIRS			
PILE CONCRETE RESTORATION	30.5 SF	12.1 CF	SF CF
FRP PROTECTIVE SYSTEM AWL	109.8 SF		
FRP PROTECTIVE SYSTEM BWL	36.6 SF		

BENT 198

CAP REPAIRS			
SHOTCRETE REPAIRS	1.0 SF	0.5 CF	SF CF
EPOXY RESIN INJECTION	- LF		LF
PILE REPAIRS			
PILE CONCRETE RESTORATION	141.3 SF	56.5 CF	SF CF
FRP PROTECTIVE SYSTEM AWL	327.9 SF		
FRP PROTECTIVE SYSTEM BWL	91.5 SF		

FOR CAP REPAIRS: VALUES IN CHART REPRESENT ESTIMATED REPAIR TOTALS AFTER REMOVAL OF UNSOUND CONCRETE, MIN. OF 1" BEHIND REBAR AND MIN. 2" CL. TO SAWCUT. SEE REPAIR DETAILS.

NOTES:
REPAIR LOCATIONS AND ESTIMATE OF QUANTITIES ARE GIVEN WITH THE BEST INFORMATION AVAILABLE. IF ADDITIONAL REPAIRS NOT SHOWN ON THE DRAWINGS ARE DEEMED NECESSARY BY THE ENGINEER, THE CONTRACTOR SHALL NOTE ON THE DRAWINGS THE APPROXIMATE LOCATION AND DESCRIPTION OF THE REPAIRS AND ADJUST THE ACTUAL QUANTITIES ENTERED INTO THE REPAIR QUANTITY TABLE.

FOR SHOTCRETE REPAIRS, SEE SPECIAL PROVISIONS.
FOR CONCRETE REPAIR DETAILS, SEE "TYPICAL CAP, COLUMN & UNDERDECK REPAIR DETAILS" & "PILE CONCRETE RESTORATION DETAILS" SHEETS.
FOR PILE CONCRETE RESTORATION, SEE SPECIAL PROVISIONS.
FOR FRP PROTECTIVE SYSTEM, SEE SPECIAL PROVISIONS.
FOR FRP PROTECTIVE SYSTEM DETAILS AND UNDERWATER MORTAR REPAIRS, SEE "PILE FRP PROTECTIVE SYSTEM DETAILS" SHEET.

ESTIMATED PILE CRACK QTY. TABLE

BENT	PILE	CRACK DIRECTION							
		NW	W	SW	S	SE	E	NE	N
BENT 197	PILE 1	-	-	-	-	-	-	-	-
	PILE 2	-	-	-	-	-	-	-	-
	PILE 3	5	-	6	-	-	-	-	7
	PILE 4	-	-	2	-	3	7	-	4
BENT 198	PILE 1	2	-	-	-	-	-	4	5
	PILE 2	5	-	-	-	-	5	2	6
	PILE 3	-	-	-	-	6	-	-	-
	PILE 4	-	-	9	-	-	-	-	-
	PILE 5	-	-	-	-	-	-	-	-
	PILE 6	-	3	5	-	3	-	-	-

NOTE: FOR INFORMATION ON PILE CONDITION ONLY.

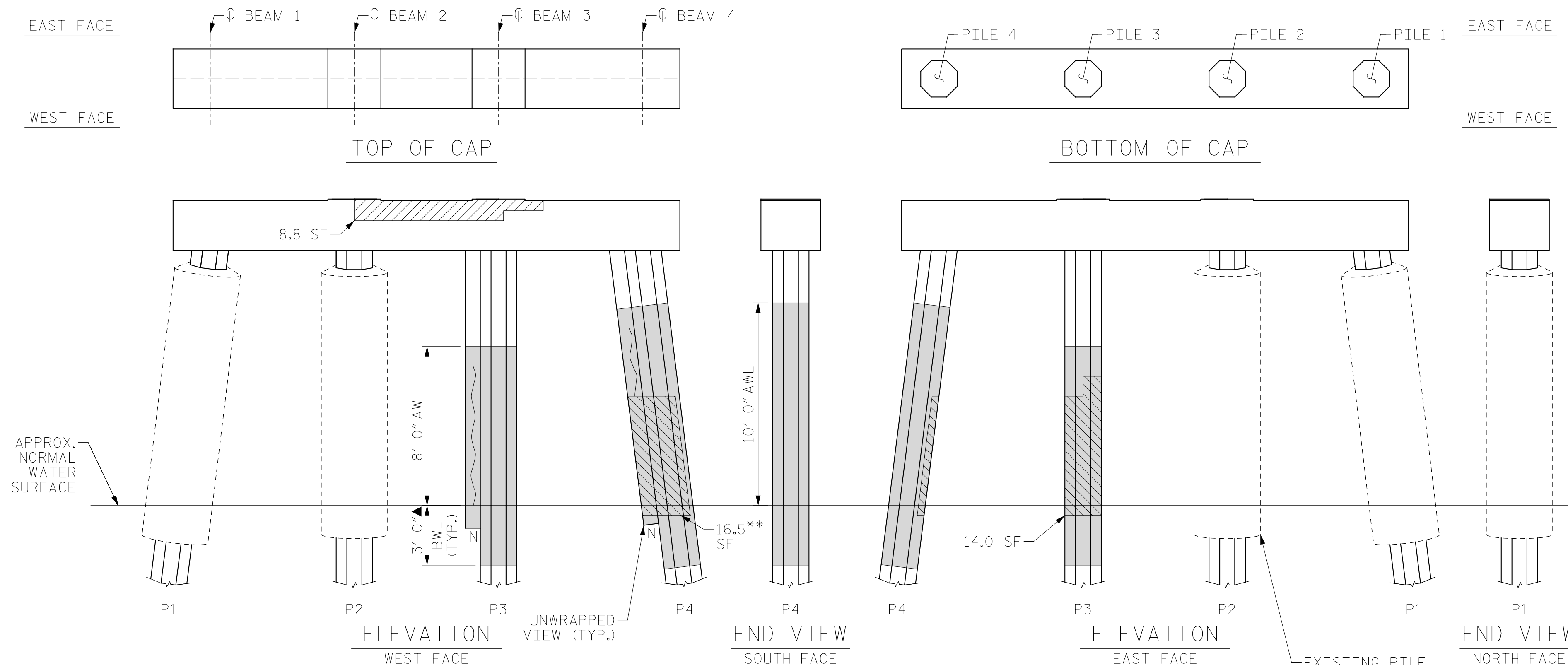
PROJECT NO. HB-0017
DARE COUNTY
BRIDGE NO. 270009



STATE OF NORTH CAROLINA
DEPARTMENT OF TRANSPORTATION
RALEIGH

BENT 197 & BENT 198

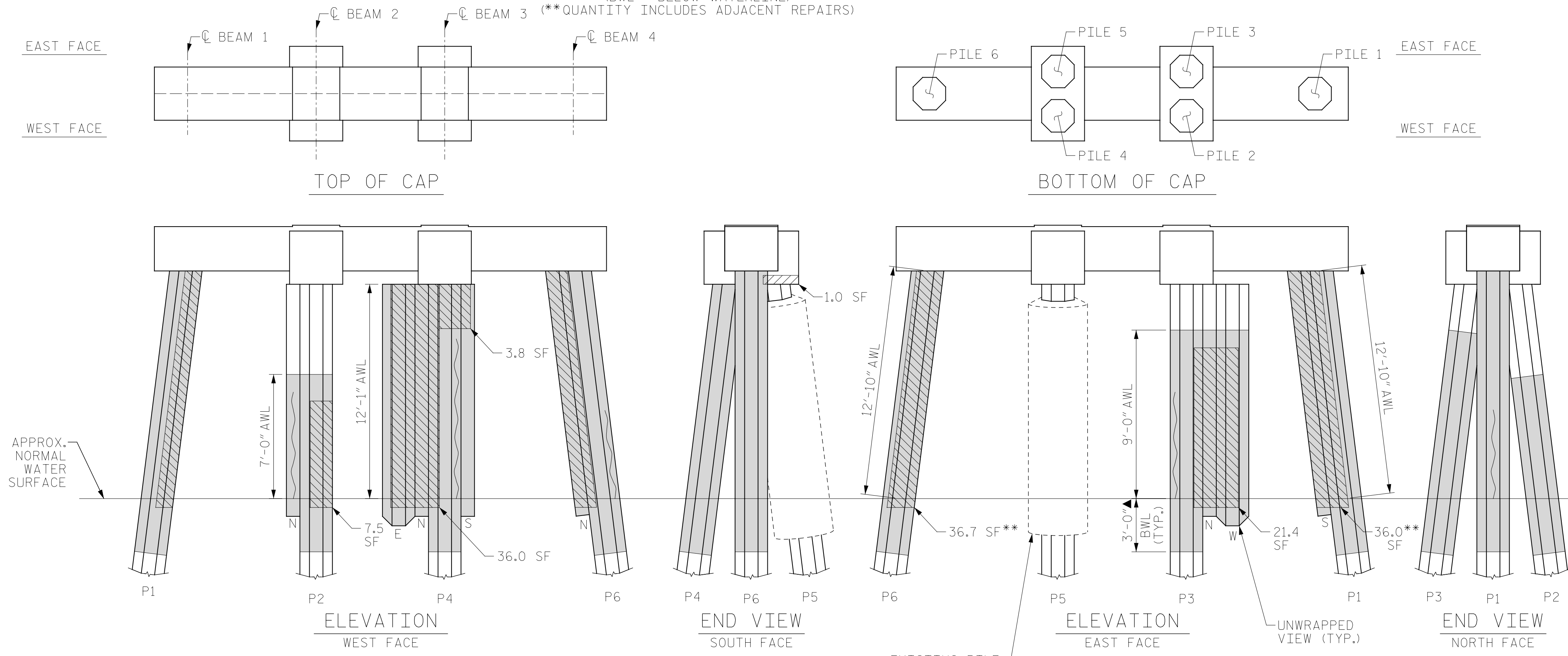
REVISIONS						SHEET NO. S-268
NO.	BY:	DATE:	NO.	BY:	DATE:	
1			3			TOTAL SHEETS 355
2			4			



▲ FRP PROTECTIVE SYSTEM BELOW WATERLINE MAY INCLUDE APPROVED UNDERWATER MORTAR REPAIRS

BENT 197

(AWL = ABOVE WATERLINE)
(BWL = BELOW WATERLINE)
(** QUANTITY INCLUDES ADJACENT REPAIRS)



Legend:
ERI - EPOXY RESIN INJECTION (diagonal lines)
- PILE CONCRETE RESTORATION (cross-hatch)
- FRP PROTECTIVE SYSTEM (solid grey)
- SHOTCRETE REPAIRS (diagonal lines)

(AWL = ABOVE WATERLINE)
(BWL = BELOW WATERLINE)
(** QUANTITY INCLUDES ADJACENT REPAIRS)

BENT 198

DRAWN BY: T. HARTLEY DATE: 2/2019
CHECKED BY: J. FARNHAM DATE: 4/2019



DOCUMENT NOT CONSIDERED FINAL UNLESS ALL SIGNATURES COMPLETED