

AS-BUILT REPAIR QUANTITY TABLE

BENT 173

CAP REPAIRS			
SHOTCRETE REPAIRS	5.6 SF	2.8 CF	SF CF
EPOXY RESIN INJECTION	- LF		LF
PILE REPAIRS			
PILE CONCRETE RESTORATION	30.0 SF	12.7 CF	SF CF
FRP PROTECTIVE SYSTEM AWL	164.7 SF		
FRP PROTECTIVE SYSTEM BWL	54.9 SF		

BENT 174

CAP REPAIRS			
SHOTCRETE REPAIRS	13.0 SF	6.5 CF	SF CF
EPOXY RESIN INJECTION	- LF		LF
PILE REPAIRS			
PILE CONCRETE RESTORATION	36.4 SF	15.4 CF	SF CF
FRP PROTECTIVE SYSTEM AWL	201.3 SF		
FRP PROTECTIVE SYSTEM BWL	73.2 SF		

FOR CAP REPAIRS: VALUES IN CHART REPRESENT ESTIMATED REPAIR TOTALS AFTER REMOVAL OF UNSOUND CONCRETE, MIN. OF 1" BEHIND REBAR AND MIN. 2" CL. TO SAWCUT. SEE REPAIR DETAILS.

NOTES:

REPAIR LOCATIONS AND ESTIMATE OF QUANTITIES ARE GIVEN WITH THE BEST INFORMATION AVAILABLE. IF ADDITIONAL REPAIRS NOT SHOWN ON THE DRAWINGS ARE DEEMED NECESSARY BY THE ENGINEER, THE CONTRACTOR SHALL NOTE ON THE DRAWINGS THE APPROXIMATE LOCATION AND DESCRIPTION OF THE REPAIRS AND ADJUST THE ACTUAL QUANTITIES ENTERED INTO THE REPAIR QUANTITY TABLE.

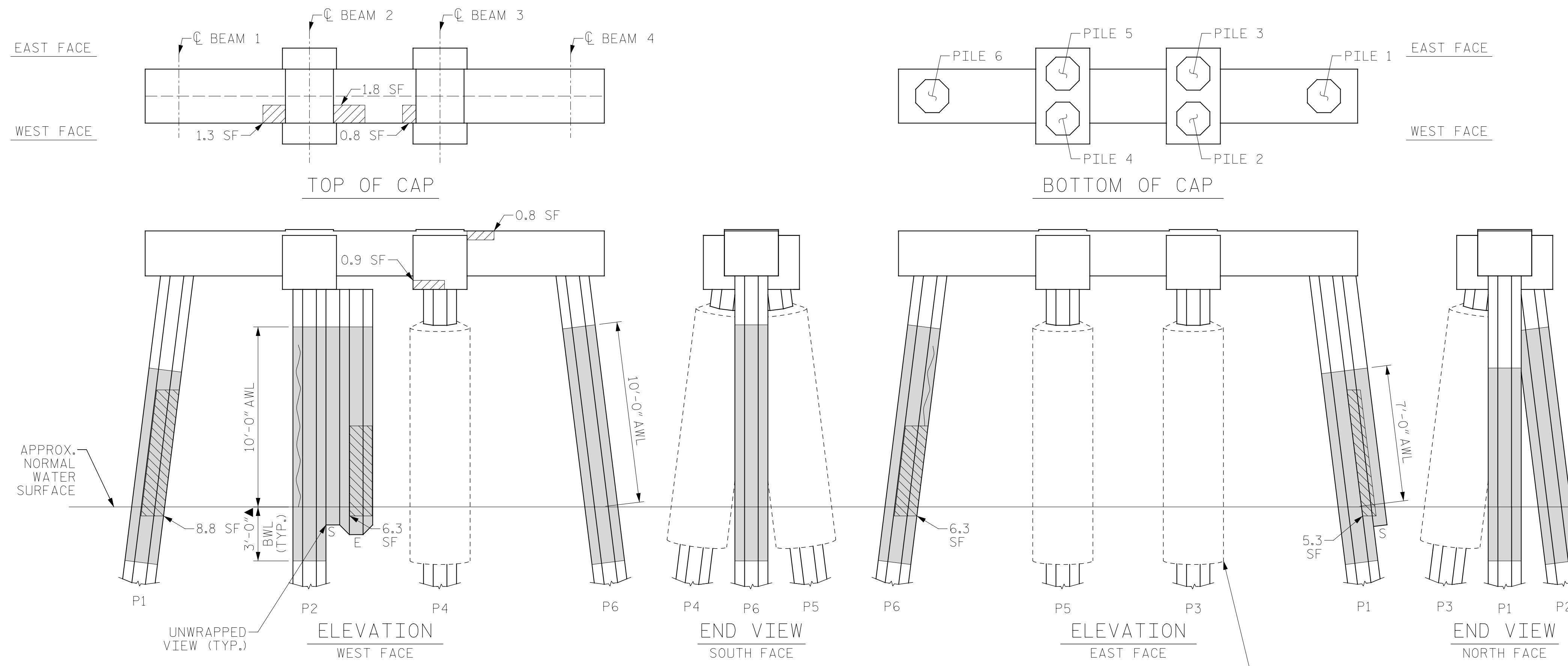
FOR SHOTCRETE REPAIRS, SEE SPECIAL PROVISIONS.

FOR CONCRETE REPAIR DETAILS, SEE "TYPICAL CAP, COLUMN & UNDERDECK REPAIR DETAILS" & "PILE CONCRETE RESTORATION DETAILS" SHEETS.

FOR PILE CONCRETE RESTORATION, SEE SPECIAL PROVISIONS.

FOR FRP PROTECTIVE SYSTEM, SEE SPECIAL PROVISIONS.

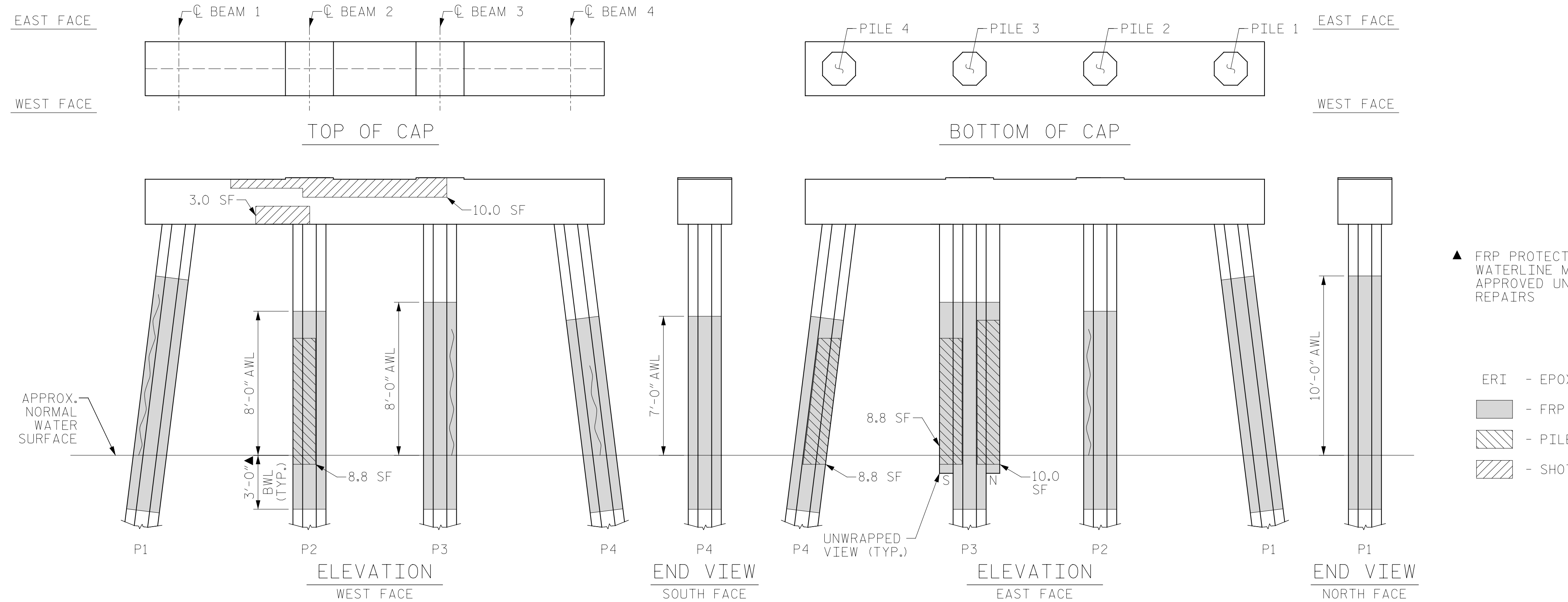
FOR FRP PROTECTIVE SYSTEM DETAILS AND UNDERWATER MORTAR REPAIRS, SEE "PILE FRP PROTECTIVE SYSTEM DETAILS" SHEET.



BENT 173

(AWL = ABOVE WATERLINE)
(BWL = BELOW WATERLINE)

(**QUANTITY INCLUDES ADJACENT REPAIRS)



BENT 174

(AWL = ABOVE WATERLINE)
(BWL = BELOW WATERLINE)

(**QUANTITY INCLUDES ADJACENT REPAIRS)

ESTIMATED PILE CRACK QTY. TABLE

		NW	W	SW	S	SE	E	NE	N
BENT 173	PILE 1	-	-	-	-	-	-	-	-
	PILE 2	9	4	8	-	4	3	6	-
	PILE 3	-	-	-	-	-	-	-	-
	PILE 4	-	-	-	-	-	-	-	-
	PILE 6	4	6	1	-	-	-	5	4
BENT 174	PILE 1	9	6	3	-	3	9	-	9
	PILE 2	-	-	-	-	7	-	-	7
	PILE 3	7	6	4	-	-	-	-	-
	PILE 4	-	5	4	-	2	-	-	-

NOTE: FOR INFORMATION ON PILE CONDITION ONLY.

PROJECT NO. HB-0017
DARE COUNTY
 BRIDGE NO. 270009

- ERI - EPOXY RESIN INJECTION
- FRP PROTECTIVE SYSTEM
- SHOTCRETE REPAIRS
- EPOXY RESIN INJECTION



STATE OF NORTH CAROLINA
 DEPARTMENT OF TRANSPORTATION
 RALEIGH

BENT 173 & BENT 174

DRAWN BY: T. HARTLEY DATE: 2/2019
 CHECKED BY: J. FARNHAM DATE: 4/2019



DOCUMENT NOT CONSIDERED FINAL UNLESS ALL SIGNATURES COMPLETED

REVISIONS						SHEET NO.
NO.	BY:	DATE:	NO.	BY:	DATE:	S-256
1			3			TOTAL SHEETS
2			4			355