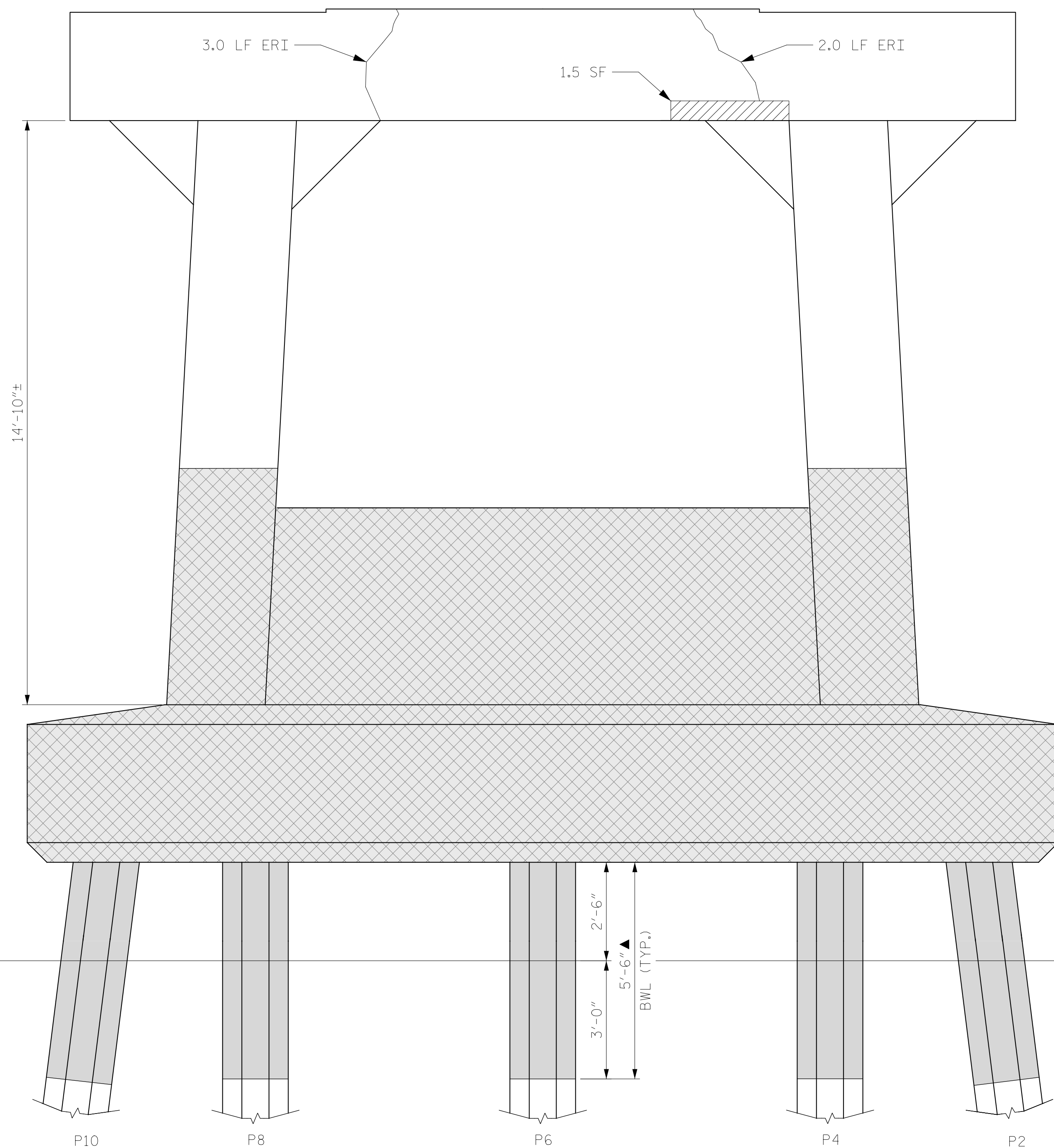


EAST FACE

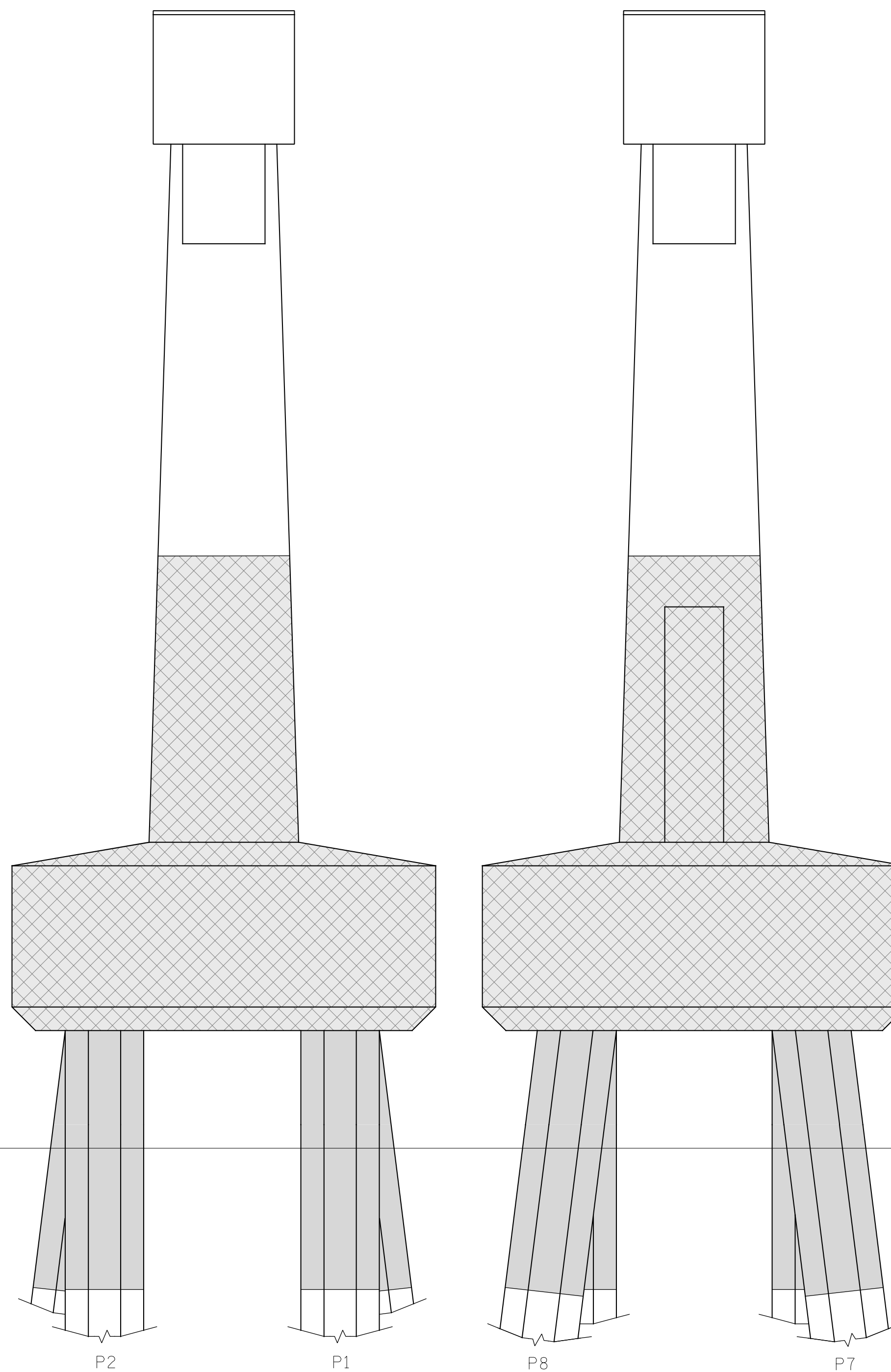
WEST FACE



ELEVATION
EAST FACE

BENT 151

(AWL = ABOVE WATERLINE)
(BWL = BELOW WATERLINE)



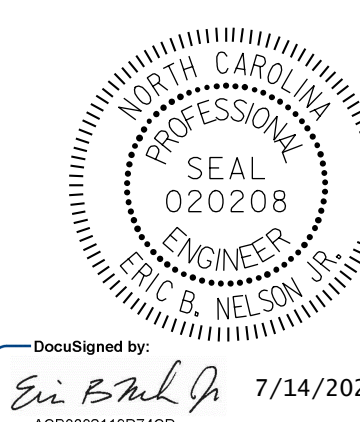
END VIEW
NORTH FACE COL. 1

INTERIOR VIEW
NORTH FACE COL. 2

- ERI - EPOXY RESIN INJECTION
- FRP PROTECTIVE SYSTEM
- SHOTCRETE REPAIRS
- PILE FOOTING RESTORATION

▲ FRP PROTECTIVE SYSTEM BELOW WATERLINE MAY INCLUDE APPROVED UNDERWATER MORTAR REPAIRS

PROJECT NO. HB-0017
DARE COUNTY
BRIDGE NO. 270009



STATE OF NORTH CAROLINA
DEPARTMENT OF TRANSPORTATION
RALEIGH

**BENT 151
EAST FACE**

DRAWN BY : T. HARTLEY DATE : 2/2019
CHECKED BY : J. FARNHAM DATE : 5/2019



DOCUMENT NOT CONSIDERED FINAL UNLESS ALL SIGNATURES COMPLETED

REVISIONS						SHEET NO.
NO.	BY:	DATE:	NO.	BY:	DATE:	TOTAL SHEETS
1			3			S-240
2			4			355