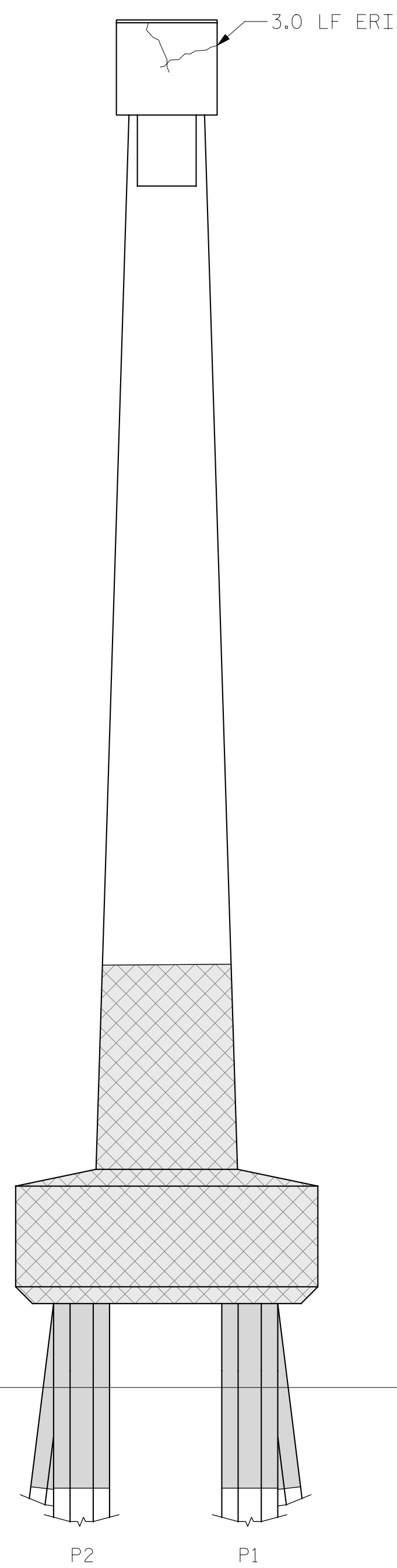
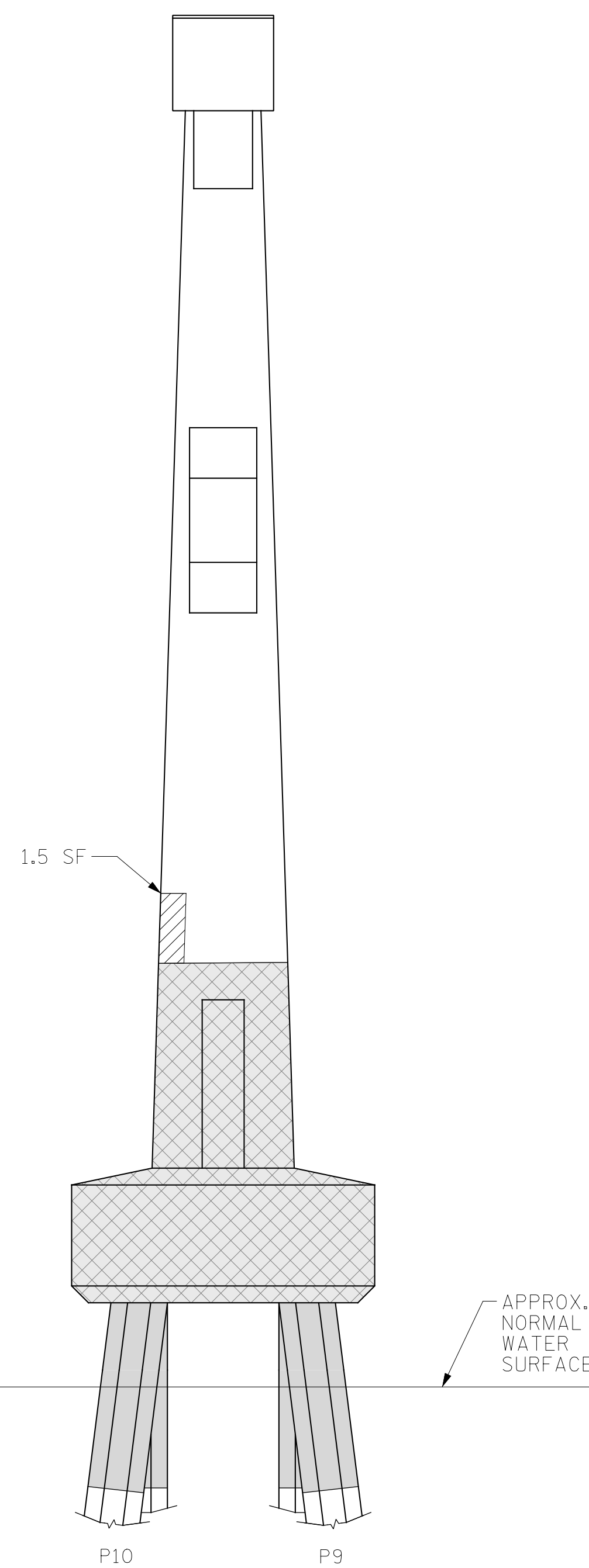


ELEVATION  
EAST FACE



END VIEW  
NORTH FACE COL.1



INTERIOR VIEW  
NORTH FACE COL.2

- ERI - EPOXY RESIN INJECTION
- FRP PROTECTIVE SYSTEM
- SHOTCRETE REPAIRS
- PILE FOOTING RESTORATION

▲ FRP PROTECTIVE SYSTEM BELOW WATERLINE MAY INCLUDE APPROVED UNDERWATER MORTAR REPAIRS

PROJECT NO. HB-0017  
DARE COUNTY  
BRIDGE NO. 270009



DocuSigned by:  
Eric B. Nelson, Jr.  
7/14/2022

STATE OF NORTH CAROLINA  
DEPARTMENT OF TRANSPORTATION  
RALEIGH

BENT 143  
EAST FACE

DRAWN BY : T. HARTLEY DATE : 2/2019  
CHECKED BY : J. FARNHAM DATE : 5/2019

BENT 143  
(AWL = ABOVE WATERLINE)  
(BWL = BELOW WATERLINE)



DOCUMENT NOT CONSIDERED FINAL UNLESS ALL SIGNATURES COMPLETED

REVISIONS						SHEET NO.
NO.	BY:	DATE:	NO.	BY:	DATE:	TOTAL SHEETS
1			3			355
2			4			