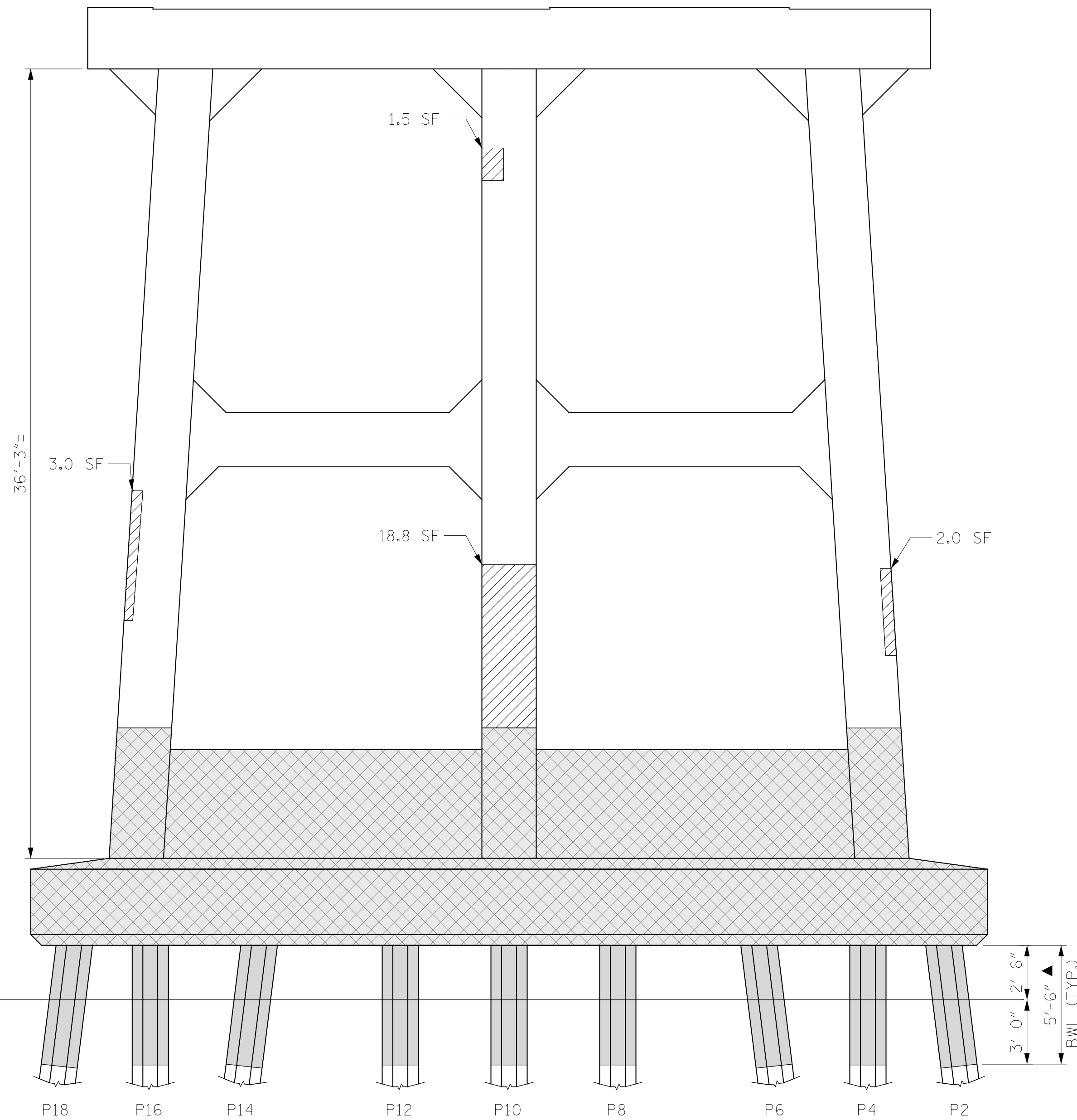
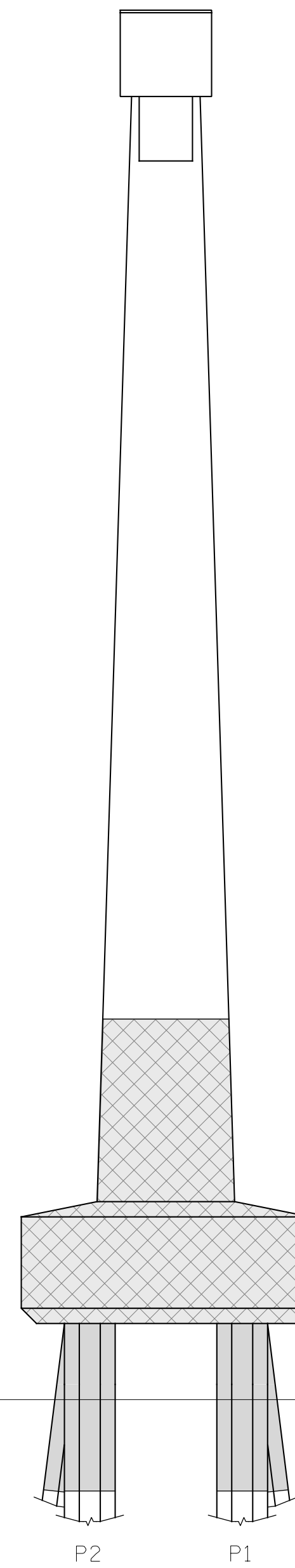


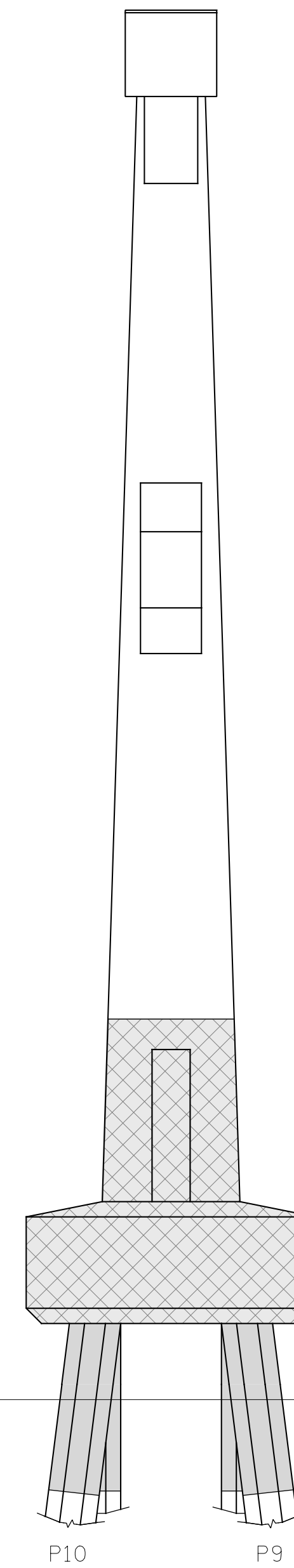
BOTTOM OF CAP



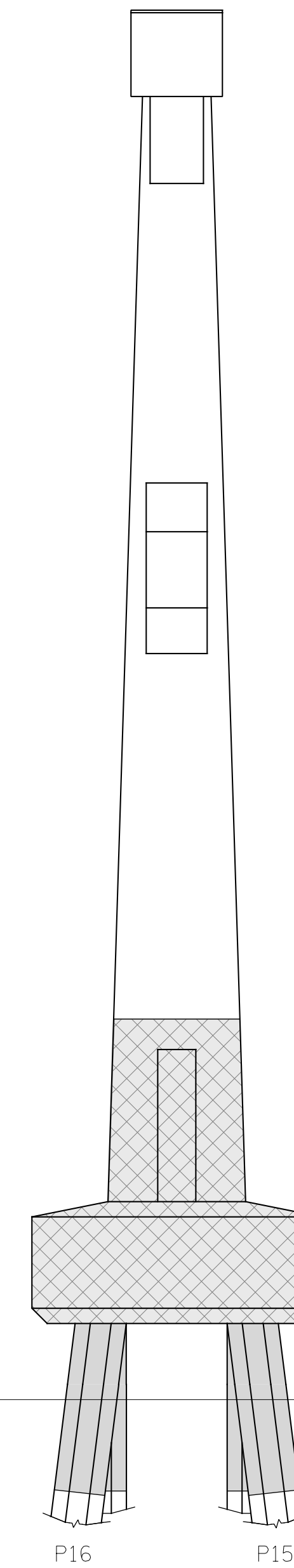
ELEVATION
EAST FACE



END VIEW
NORTH FACE COL.1



INTERIOR VIEW
NORTH FACE COL.2

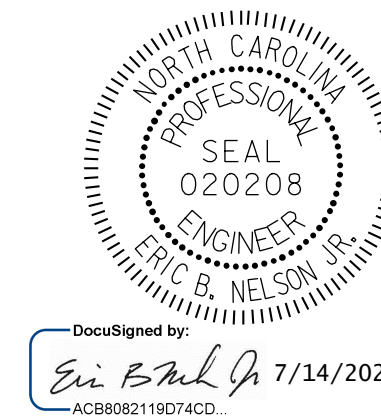


INTERIOR VIEW
NORTH FACE COL.3

- ERI - EPOXY RESIN INJECTION
- FRP - FRP PROTECTIVE SYSTEM
- SHOTCRETE - SHOTCRETE REPAIRS
- PILE FOOTING RESTORATION - PILE FOOTING RESTORATION

▲ FRP PROTECTIVE SYSTEM BELOW WATERLINE MAY INCLUDE APPROVED UNDERWATER MORTAR REPAIRS

PROJECT NO. HB-0017
DARE COUNTY
 BRIDGE NO. 270009



STATE OF NORTH CAROLINA
 DEPARTMENT OF TRANSPORTATION
 RALEIGH

**BENT 139
 EAST FACE**

DRAWN BY: T. HARTLEY DATE: 2/2019
 CHECKED BY: J. FARNHAM DATE: 5/2019

BENT 139
 (AWL = ABOVE WATERLINE)
 (BWL = BELOW WATERLINE)



DOCUMENT NOT CONSIDERED FINAL UNLESS ALL SIGNATURES COMPLETED

REVISIONS						SHEET NO.
NO.	BY:	DATE:	NO.	BY:	DATE:	TOTAL SHEETS
1			3			216
2			4			355