


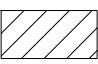
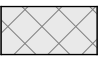
AS-BUILT REPAIR QUANTITY TABLE

BENT 131

CAP REPAIRS		ESTIMATE		ACTUAL	
SHOTCRETE REPAIRS	- SF	- CF	SF	CF	
EPOXY RESIN INJECTION		- LF		LF	
COLUMN REPAIRS		ESTIMATE		ACTUAL	
SHOTCRETE REPAIRS	3.0 SF	1.5 CF	SF	CF	
EPOXY RESIN INJECTION		- LF		LF	
PILE REPAIRS		ESTIMATE		ACTUAL	
FRP PROTECTIVE SYSTEM AWL	- SF		SF		
FRP PROTECTIVE SYSTEM BWL	363.0 SF		SF		

FOR CAP REPAIRS; VALUES IN CHART REPRESENT ESTIMATED REPAIR TOTALS AFTER REMOVAL OF UNSOUND CONCRETE, MIN. OF 1" BEHIND REBAR AND MIN. 2" CL TO SAWCUT. SEE REPAIR DETAILS.

NOTES:
 REPAIR LOCATIONS AND ESTIMATE OF QUANTITIES ARE GIVEN WITH THE BEST INFORMATION AVAILABLE. IF ADDITIONAL REPAIRS NOT SHOWN ON THE DRAWINGS ARE DEEMED NECESSARY BY THE ENGINEER THE CONTRACTOR SHALL NOTE ON THE DRAWINGS THE APPROXIMATE LOCATION AND DESCRIPTION OF THE REPAIRS AND ADJUST THE ACTUAL QUANTITIES ENTERED INTO THE REPAIR QUANTITY TABLE.
 FOR SHOTCRETE REPAIRS, SEE SPECIAL PROVISIONS.
 FOR CONCRETE REPAIR DETAILS, SEE "TYPICAL CAP, COLUMN & UNDERDECK REPAIR DETAILS" & "PILE CONCRETE RESTORATION DETAILS" SHEETS.
 FOR FOOTING, COLUMN, AND STRUT REPAIR DETAILS, SEE "PILE FOOTING RESTORATION" SHEET.
 FOR PILE CONCRETE RESTORATION, SEE SPECIAL PROVISIONS.
 FOR FRP PROTECTIVE SYSTEM, SEE SPECIAL PROVISIONS.
 FOR FRP PROTECTIVE SYSTEM DETAILS AND UNDERWATER MORTAR REPAIRS, SEE "PILE FRP PROTECTIVE SYSTEM DETAILS" SHEET.

- ERI - EPOXY RESIN INJECTION
-  - FRP PROTECTIVE SYSTEM
-  - SHOTCRETE REPAIRS
-  - PILE FOOTING RESTORATION

▲ FRP PROTECTIVE SYSTEM BELOW WATERLINE MAY INCLUDE APPROVED UNDERWATER MORTAR REPAIRS

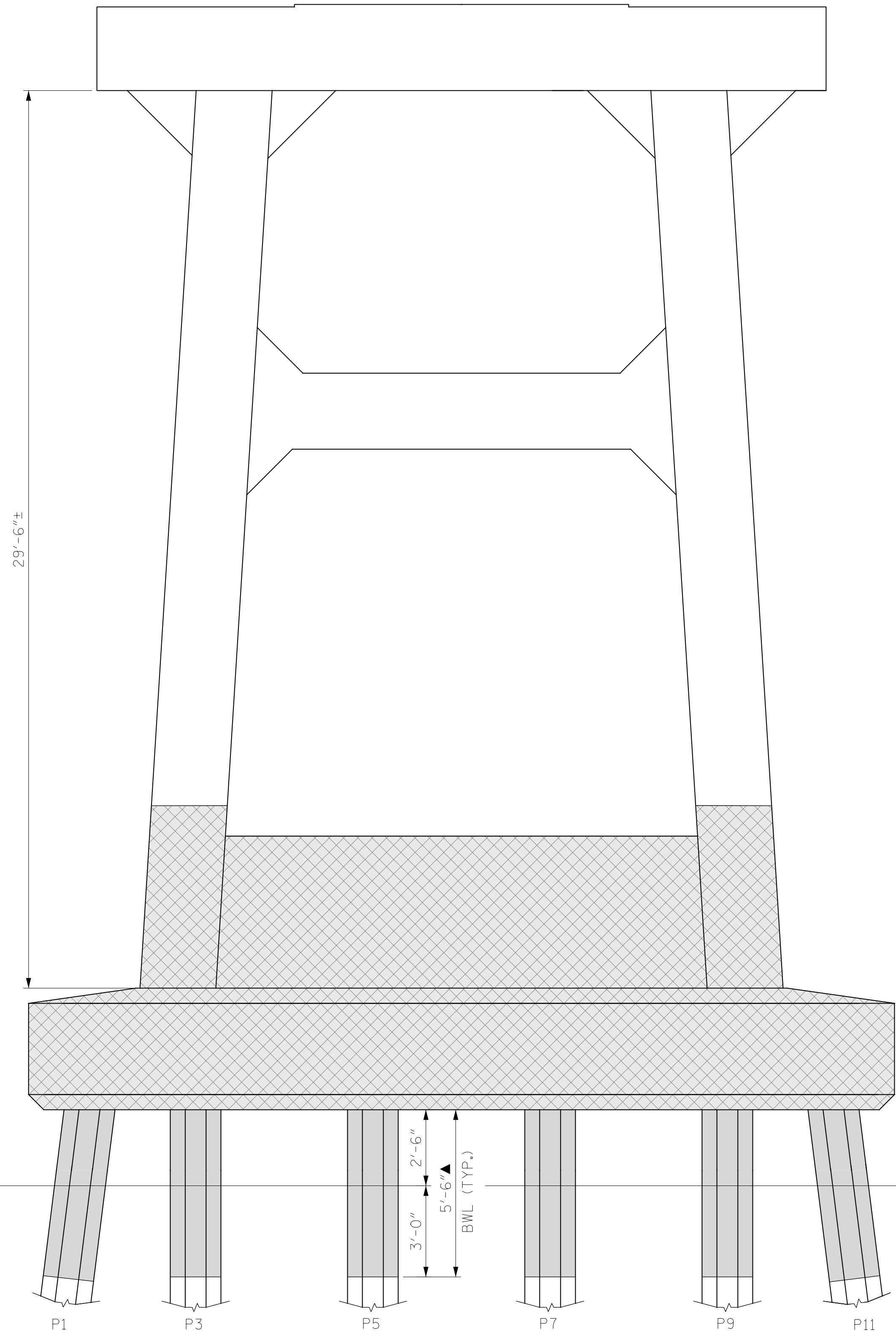
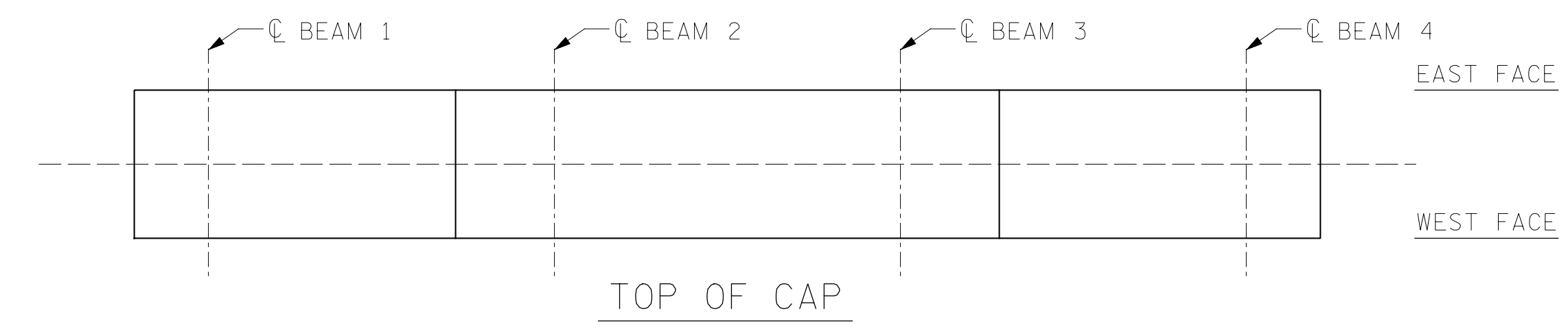
PROJECT NO. HB-0017
DARE COUNTY
 BRIDGE NO. 270009

STATE OF NORTH CAROLINA
 DEPARTMENT OF TRANSPORTATION
 RALEIGH

BENT 131
 WEST FACE

REVISIONS						SHEET NO.
NO.	BY:	DATE:	NO.	BY:	DATE:	TOTAL SHEETS
1			3			355
2			4			

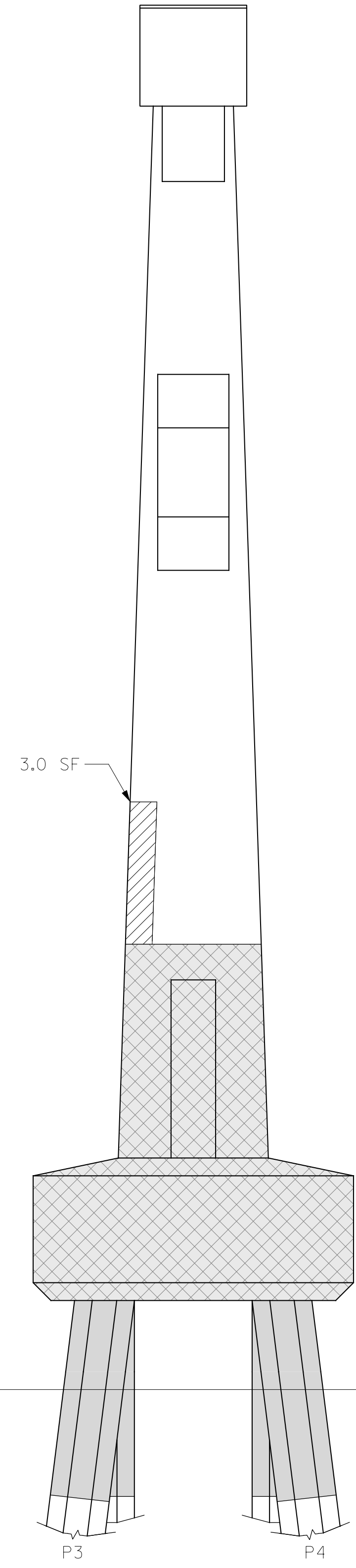
DocuSigned by:
Eric B. Nelson Jr. 7/14/2022
 ACB802119074CD



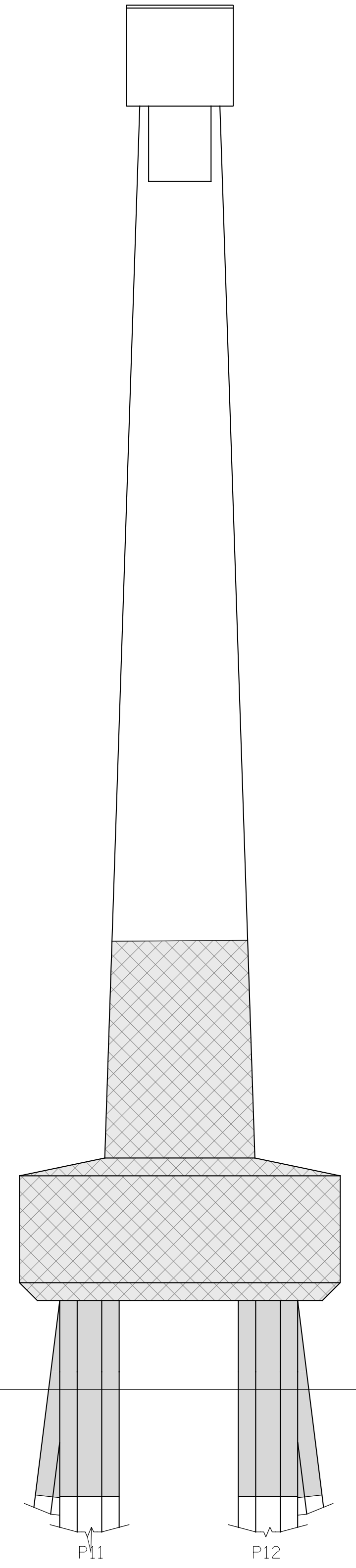
ELEVATION
WEST FACE

BENT 131

(AWL = ABOVE WATERLINE)
 (BWL = BELOW WATERLINE)



INTERIOR VIEW
SOUTH FACE COL.1



END VIEW
SOUTH FACE COL.2

DRAWN BY : T. HARTLEY DATE : 2/2019
 CHECKED BY : J. FARNHAM DATE : 5/2019



DOCUMENT NOT CONSIDERED FINAL UNLESS ALL SIGNATURES COMPLETED