

AS-BUILT REPAIR QUANTITY TABLE

BENT 99

CAP REPAIRS			
SHOTCRETE REPAIRS	- SF	- CF	SF CF
EPOXY RESIN INJECTION	- LF		LF
PILE REPAIRS			
PILE CONCRETE RESTORATION	76.0 SF	28.9 CF	SF CF
FRP PROTECTIVE SYSTEM AWL	170.5 SF		
FRP PROTECTIVE SYSTEM BWL	66.0 SF		

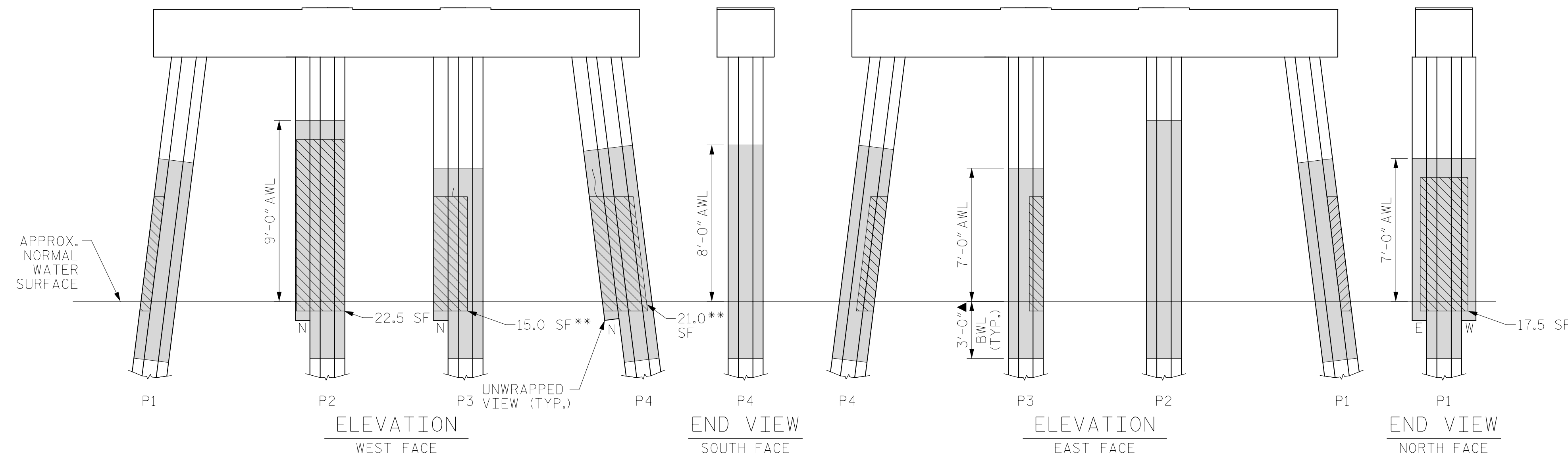
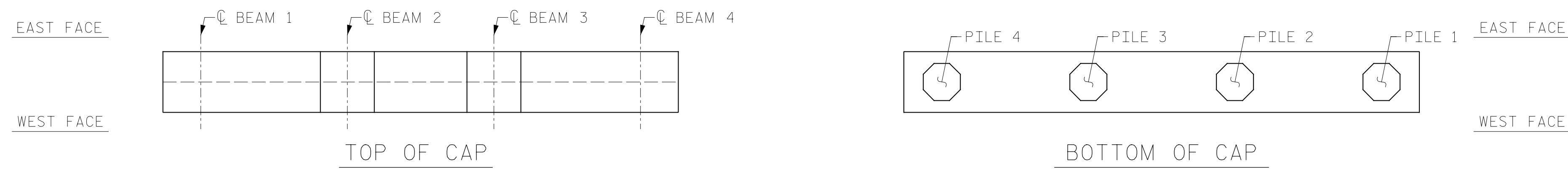
BENT 100

CAP REPAIRS			
SHOTCRETE REPAIRS	3.5 SF	1.8 CF	SF CF
EPOXY RESIN INJECTION	- LF		LF
PILE REPAIRS			
PILE CONCRETE RESTORATION	56.0 SF	22.1 CF	SF CF
FRP PROTECTIVE SYSTEM AWL	159.5 SF		
FRP PROTECTIVE SYSTEM BWL	66.0 SF		

FOR CAP REPAIRS: VALUES IN CHART REPRESENT ESTIMATED REPAIR TOTALS AFTER REMOVAL OF UNSOUND CONCRETE, MIN. OF 1" BEHIND REBAR AND MIN. 2" CL. TO SAWCUT. SEE REPAIR DETAILS.

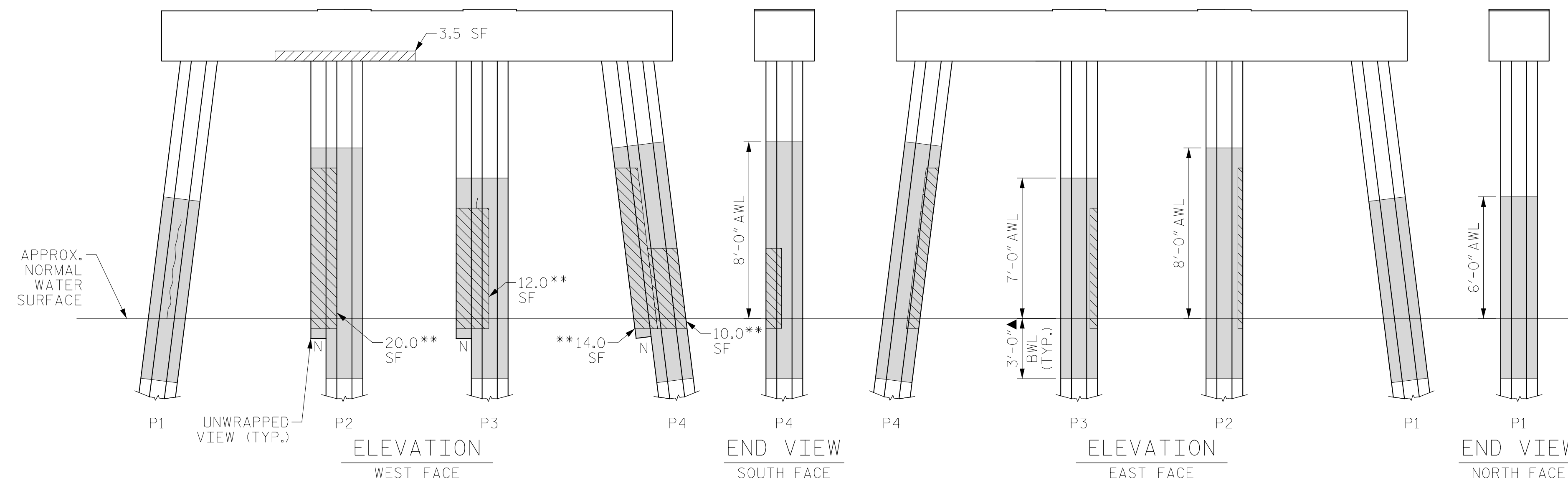
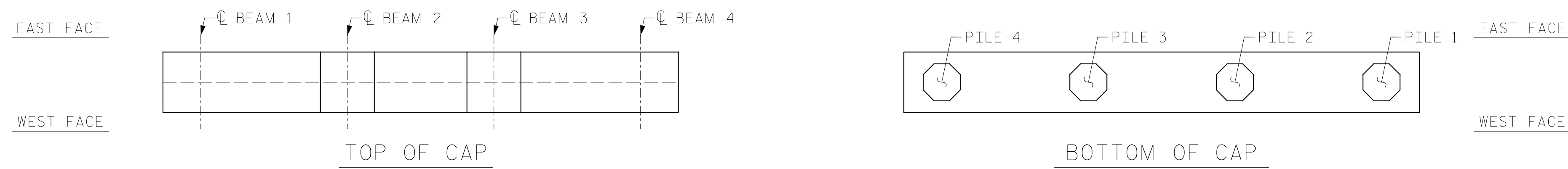
NOTES:
REPAIR LOCATIONS AND ESTIMATE OF QUANTITIES ARE GIVEN WITH THE BEST INFORMATION AVAILABLE. IF ADDITIONAL REPAIRS NOT SHOWN ON THE DRAWINGS ARE DEEMED NECESSARY BY THE ENGINEER, THE CONTRACTOR SHALL NOTE ON THE DRAWINGS THE APPROXIMATE LOCATION AND DESCRIPTION OF THE REPAIRS AND ADJUST THE ACTUAL QUANTITIES ENTERED INTO THE REPAIR QUANTITY TABLE.

FOR SHOTCRETE REPAIRS, SEE SPECIAL PROVISIONS.
FOR CONCRETE REPAIR DETAILS, SEE "TYPICAL CAP, COLUMN & UNDERDECK REPAIR DETAILS" & "PILE CONCRETE RESTORATION DETAILS" SHEETS.
FOR PILE CONCRETE RESTORATION, SEE SPECIAL PROVISIONS.
FOR FRP PROTECTIVE SYSTEM, SEE SPECIAL PROVISIONS.
FOR FRP PROTECTIVE SYSTEM DETAILS AND UNDERWATER MORTAR REPAIRS, SEE "PILE FRP PROTECTIVE SYSTEM DETAILS" SHEET.



BENT 99

(AWL = ABOVE WATERLINE)
(BWL = BELOW WATERLINE)
(**QUANTITY INCLUDES ADJACENT REPAIRS)



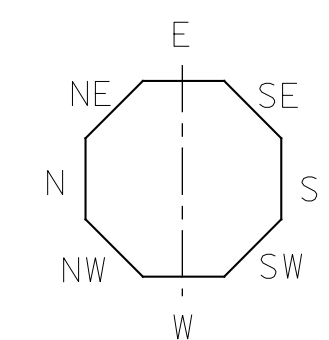
BENT 100

(AWL = ABOVE WATERLINE)
(BWL = BELOW WATERLINE)
(**QUANTITY INCLUDES ADJACENT REPAIRS)

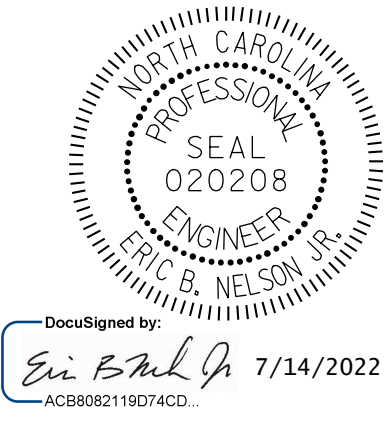
ESTIMATED PILE CRACK QTY. TABLE

		NW	W	SW	S	SE	E	NE	N
BENT 99	PILE 1	-	5	-	4	-	2	-	-
	PILE 2	-	-	-	-	-	-	-	-
	PILE 3	1	5	2	6	-	3	-	-
	PILE 4	-	1	-	3	5	-	-	2
BENT 100	PILE 1	5	4	-	4	-	-	-	4
	PILE 2	-	-	-	4	3	3	-	-
	PILE 3	1	4	6	3	3	-	-	-
	PILE 4	1	-	-	-	4	-	-	-

NOTE: FOR INFORMATION ON PILE CONDITION ONLY.
PROJECT NO. HB-0017
DARE COUNTY
BRIDGE NO. 270009



- ▲ FRP PROTECTIVE SYSTEM BELOW WATERLINE MAY INCLUDE APPROVED UNDERWATER MORTAR REPAIRS
- ERI - EPOXY RESIN INJECTION
- - FRP PROTECTIVE SYSTEM
- ▨ - PILE CONCRETE RESTORATION
- ▩ - SHOTCRETE REPAIRS



STATE OF NORTH CAROLINA
DEPARTMENT OF TRANSPORTATION
RALEIGH
BENT 99 & BENT 100

DRAWN BY: T. HARTLEY DATE: 2/2019
CHECKED BY: R. FISHER DATE: 3/2019



REVISIONS						SHEET NO.
NO.	BY:	DATE:	NO.	BY:	DATE:	S-165
1			3			TOTAL SHEETS
2			4			355

DOCUMENT NOT CONSIDERED FINAL UNLESS ALL SIGNATURES COMPLETED