

AS-BUILT REPAIR QUANTITY TABLE

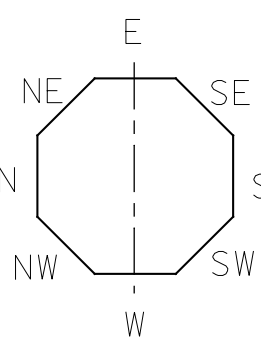
BENT 41				
CAP REPAIRS		ESTIMATE		
SHOTCRETE REPAIRS	- SF	- CF	SF	CF
EPOXY RESIN INJECTION	- LF			LF
PILE REPAIRS		ESTIMATE		
PILE CONCRETE RESTORATION	9.8 SF	4.4 CF	SF	CF
FRP PROTECTIVE SYSTEM AWL	149.5 SF			
FRP PROTECTIVE SYSTEM BWL	66.0 SF			

BENT 42				
CAP REPAIRS		ESTIMATE		
SHOTCRETE REPAIRS	1.4 SF	0.7 CF	SF	CF
EPOXY RESIN INJECTION	- LF			LF
PILE REPAIRS		ESTIMATE		
PILE CONCRETE RESTORATION	11.3 SF	4.8 CF	SF	CF
FRP PROTECTIVE SYSTEM AWL	165.5 SF			
FRP PROTECTIVE SYSTEM BWL	66.0 SF			

FOR CAP REPAIRS: VALUES IN CHART REPRESENT ESTIMATED REPAIR TOTALS AFTER REMOVAL OF UNSOUND CONCRETE, MIN. OF 1" BEHIND REBAR AND MIN. 2" CL. TO SAWCUT. SEE REPAIR DETAILS.

NOTES:
REPAIR LOCATIONS AND ESTIMATE OF QUANTITIES ARE GIVEN WITH THE BEST INFORMATION AVAILABLE. IF ADDITIONAL REPAIRS NOT SHOWN ON THE DRAWINGS ARE DEEMED NECESSARY BY THE ENGINEER, THE CONTRACTOR SHALL NOTE ON THE DRAWINGS THE APPROXIMATE LOCATION AND DESCRIPTION OF THE REPAIRS AND ADJUST THE ACTUAL QUANTITIES ENTERED INTO THE REPAIR QUANTITY TABLE.

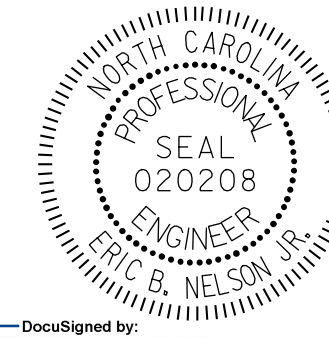
FOR SHOTCRETE REPAIRS, SEE SPECIAL PROVISIONS.
FOR CONCRETE REPAIR DETAILS, SEE "TYPICAL CAP, COLUMN & UNDERDECK REPAIR DETAILS" & "PILE CONCRETE RESTORATION DETAILS" SHEETS.
FOR PILE CONCRETE RESTORATION, SEE SPECIAL PROVISIONS.
FOR FRP PROTECTIVE SYSTEM, SEE SPECIAL PROVISIONS.
FOR FRP PROTECTIVE SYSTEM DETAILS AND UNDERWATER MORTAR REPAIRS, SEE "PILE FRP PROTECTIVE SYSTEM DETAILS" SHEET.



ESTIMATED PILE CRACK QTY.									
		NW	W	SW	S	SE	E	NE	N
BENT 41	PILE 1	-	-	-	7	-	-	5	5
	PILE 2	-	-	-	-	-	-	6	3
	PILE 3	-	5	-	-	-	-	-	-
	PILE 4	-	-	-	5	-	-	-	-
BENT 42	PILE 1	6	-	-	-	4	-	6	-
	PILE 2	-	-	-	1	-	-	8	-
	PILE 3	-	-	-	3	-	-	7	-
	PILE 4	-	-	-	3	-	-	-	-

NOTE: FOR INFORMATION ON PILE CONDITION ONLY.

PROJECT NO. HB-0017
DARE COUNTY
 BRIDGE NO. 270009



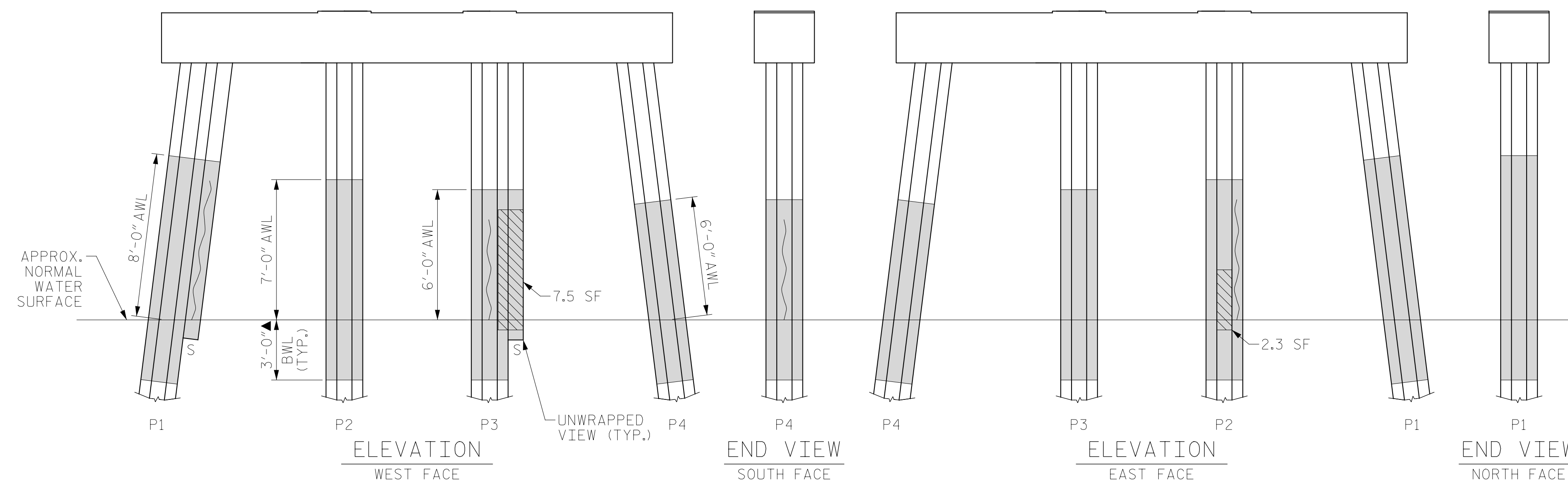
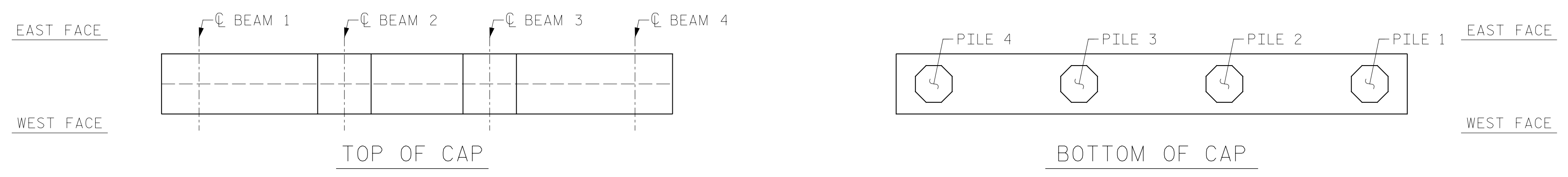
DocuSigned by:
Eric B. Nelson, Jr. 7/14/2022

STATE OF NORTH CAROLINA
 DEPARTMENT OF TRANSPORTATION
 RALEIGH

BENT 41 & BENT 42

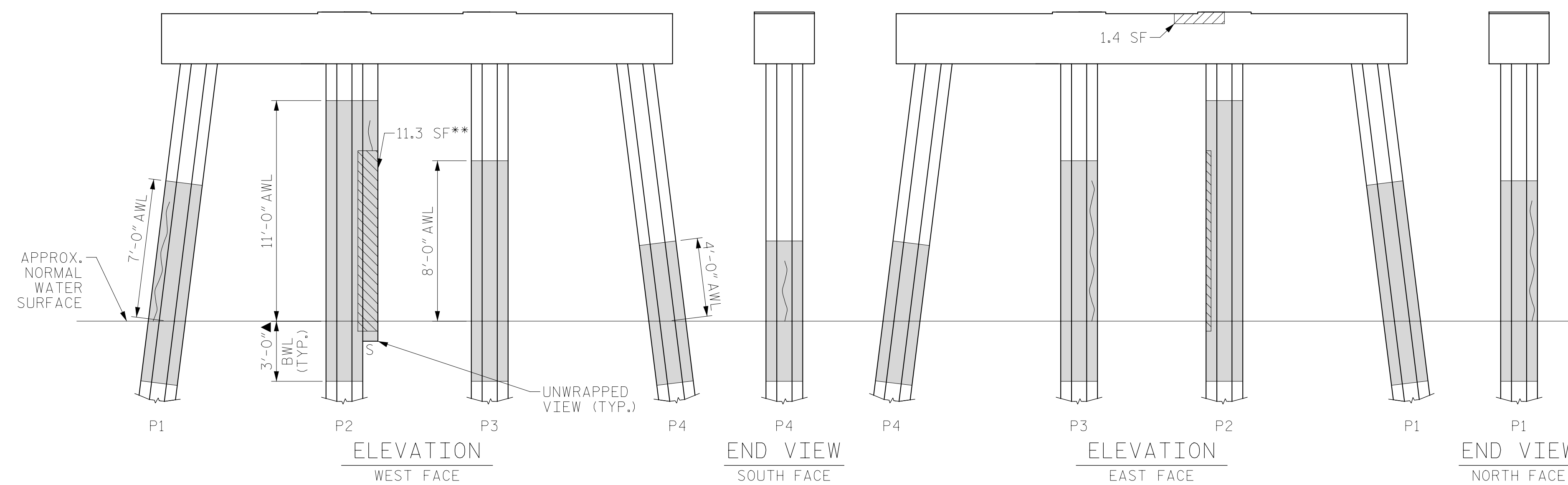
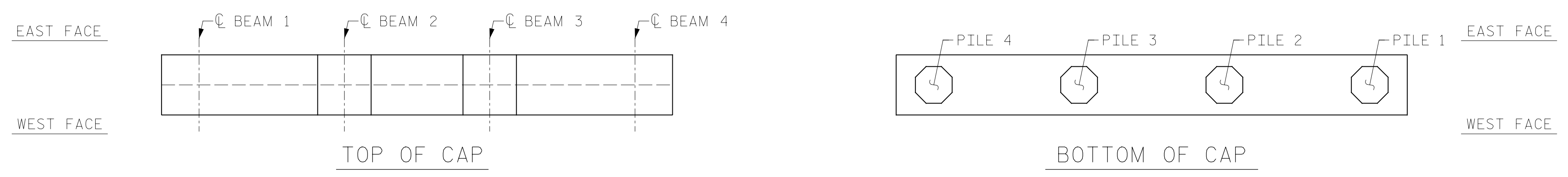
REVISIONS						SHEET NO.
NO.	BY:	DATE:	NO.	BY:	DATE:	TOTAL SHEETS
1			3			136
2			4			355

DOCUMENT NOT CONSIDERED FINAL UNLESS ALL SIGNATURES COMPLETED



BENT 41

(AWL = ABOVE WATERLINE)
 (BWL = BELOW WATERLINE)
 (**QUANTITY INCLUDES ADJACENT REPAIRS)



BENT 42

(AWL = ABOVE WATERLINE)
 (BWL = BELOW WATERLINE)
 (**QUANTITY INCLUDES ADJACENT REPAIRS)

DRAWN BY: T. HARTLEY DATE: 2/2019
 CHECKED BY: R. WERTMAN DATE: 3/2019