

AS-BUILT REPAIR QUANTITY TABLE

BENT 27

CAP REPAIRS		ESTIMATE			
SHOTCRETE REPAIRS	- SF	- CF	SF	CF	
EPOXY RESIN INJECTION	- LF				LF
PILE REPAIRS		ESTIMATE			
PILE CONCRETE RESTORATION	3.8 SF	2.0 CF	SF	CF	
FRP PROTECTIVE SYSTEM AWL	153.5 SF				
FRP PROTECTIVE SYSTEM BWL	66.0 SF				

BENT 28

CAP REPAIRS		ESTIMATE			
SHOTCRETE REPAIRS	- SF	- CF	SF	CF	
EPOXY RESIN INJECTION	- LF				LF
PILE REPAIRS		ESTIMATE			
PILE CONCRETE RESTORATION	2.3 SF	1.2 CF	SF	CF	
FRP PROTECTIVE SYSTEM AWL	149.4 SF				
FRP PROTECTIVE SYSTEM BWL	66.0 SF				

FOR CAP REPAIRS: VALUES IN CHART REPRESENT ESTIMATED REPAIR TOTALS AFTER REMOVAL OF UNSOUND CONCRETE, MIN. OF 1" BEHIND REBAR AND MIN. 2" CL. TO SAWCUT. SEE REPAIR DETAILS.

NOTES:

REPAIR LOCATIONS AND ESTIMATE OF QUANTITIES ARE GIVEN WITH THE BEST INFORMATION AVAILABLE. IF ADDITIONAL REPAIRS NOT SHOWN ON THE DRAWINGS ARE DEEMED NECESSARY BY THE ENGINEER, THE CONTRACTOR SHALL NOTE ON THE DRAWINGS THE APPROXIMATE LOCATION AND DESCRIPTION OF THE REPAIRS AND ADJUST THE ACTUAL QUANTITIES ENTERED INTO THE REPAIR QUANTITY TABLE.

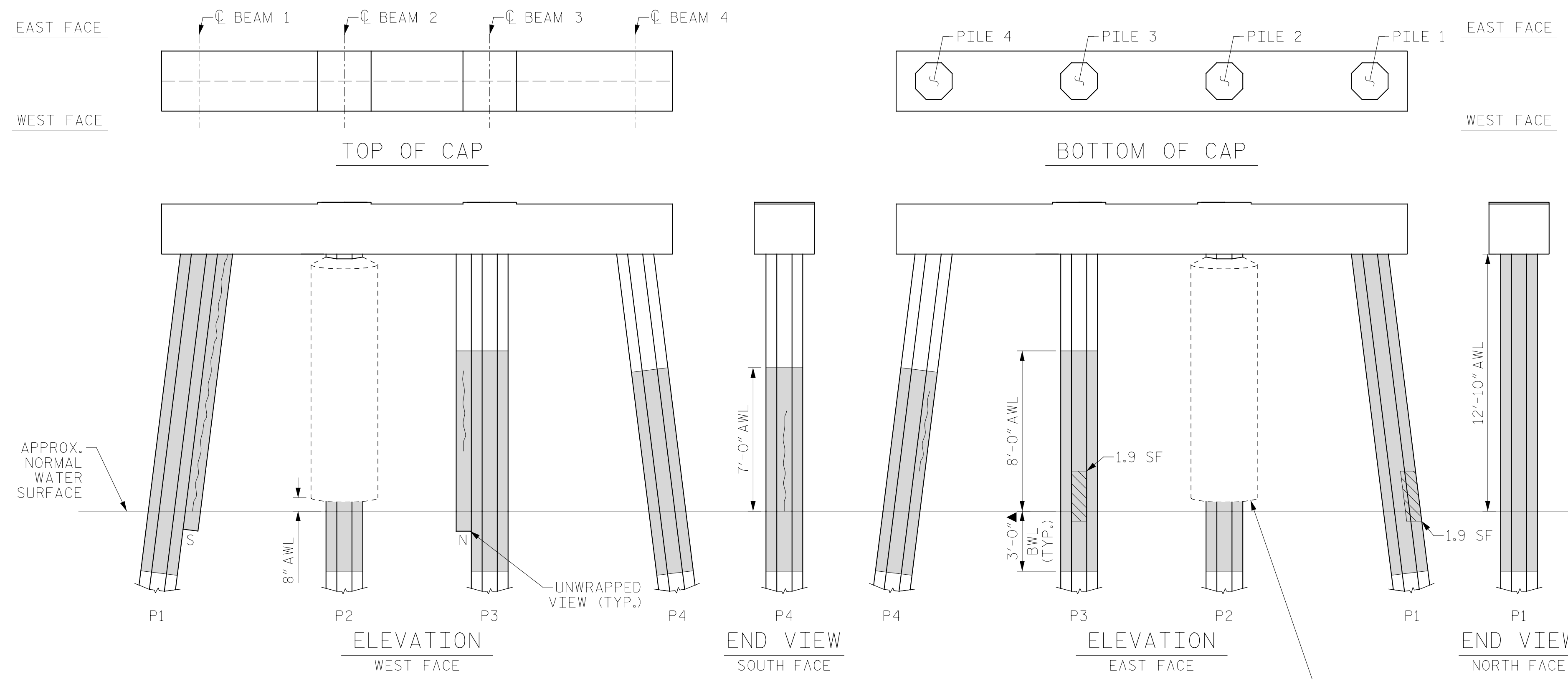
FOR SHOTCRETE REPAIRS, SEE SPECIAL PROVISIONS.

FOR CONCRETE REPAIR DETAILS, SEE "TYPICAL CAP, COLUMN & UNDERDECK REPAIR DETAILS" & "PILE CONCRETE RESTORATION DETAILS" SHEETS.

FOR PILE CONCRETE RESTORATION, SEE SPECIAL PROVISIONS.

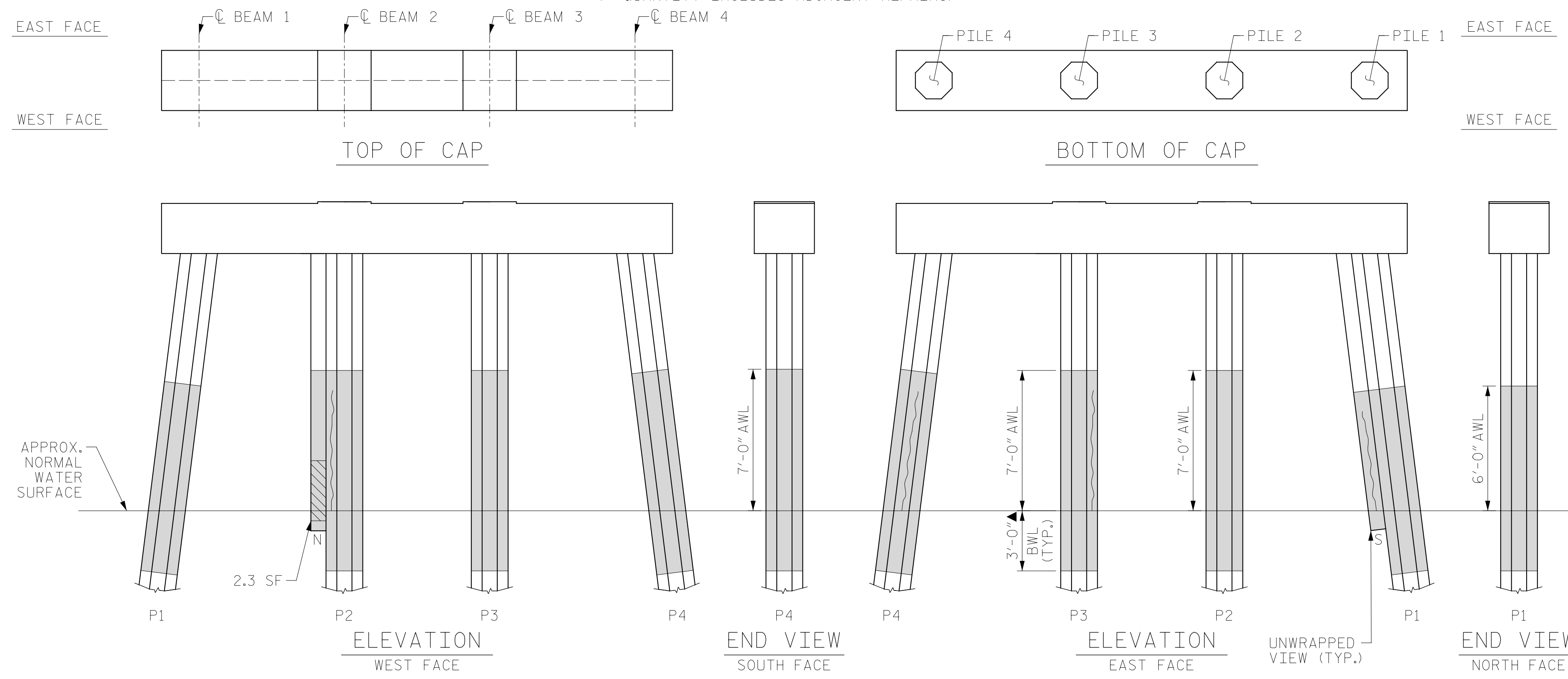
FOR FRP PROTECTIVE SYSTEM, SEE SPECIAL PROVISIONS.

FOR FRP PROTECTIVE SYSTEM DETAILS AND UNDERWATER MORTAR REPAIRS, SEE "PILE FRP PROTECTIVE SYSTEM DETAILS" SHEET.



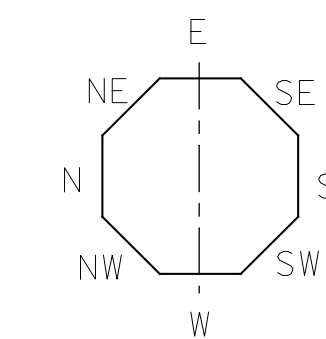
BENT 27

(AWL = ABOVE WATERLINE)
(BWL = BELOW WATERLINE)
(**QUANTITY INCLUDES ADJACENT REPAIRS)



BENT 28

(AWL = ABOVE WATERLINE)
(BWL = BELOW WATERLINE)
(**QUANTITY INCLUDES ADJACENT REPAIRS)



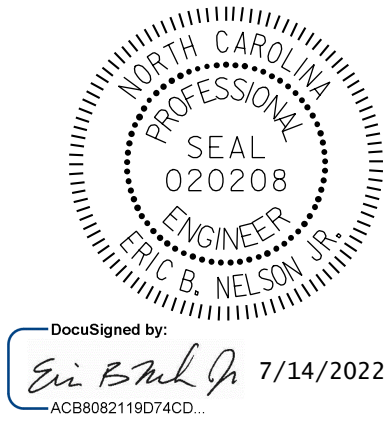
		NW	W	SW	S	SE	E	NE	N
BENT 27	PILE 1	-	-	-	13	-	-	6	-
	PILE 2	-	-	-	-	-	-	-	-
	PILE 3	2	-	-	-	-	-	-	4
	PILE 4	-	5	-	5	-	-	4	-
BENT 28	PILE 1	-	4	-	5	-	-	-	-
	PILE 2	6	-	-	-	-	-	-	4
	PILE 3	4	-	-	2	-	-	6	4
	PILE 4	-	4	-	-	-	6	-	6

NOTE: FOR INFORMATION ON PILE CONDITION ONLY.

PROJECT NO. HB-0017
DARE COUNTY
 BRIDGE NO. 270009

▲ FRP PROTECTIVE SYSTEM BELOW WATERLINE MAY INCLUDE APPROVED UNDERWATER MORTAR REPAIRS

- ERI - EPOXY RESIN INJECTION
- FRP PROTECTIVE SYSTEM
- PILE CONCRETE RESTORATION
- SHOTCRETE REPAIRS



STATE OF NORTH CAROLINA
 DEPARTMENT OF TRANSPORTATION
 RALEIGH

BENT 27 & BENT 28

DRAWN BY: T. HARTLEY DATE: 2/2019
 CHECKED BY: R. WERTMAN DATE: 3/2019



DOCUMENT NOT CONSIDERED FINAL UNLESS ALL SIGNATURES COMPLETED

REVISIONS						SHEET NO.
NO.	BY:	DATE:	NO.	BY:	DATE:	TOTAL SHEETS
1			3			129
2			4			355