

AS-BUILT REPAIR QUANTITY TABLE

BENT 25

CAP REPAIRS		ESTIMATE			
SHOTCRETE REPAIRS	1.7 SF	0.9 CF	SF	CF	
EPOXY RESIN INJECTION	- LF				LF
PILE REPAIRS		ESTIMATE			
PILE CONCRETE RESTORATION	15.0 SF	5.9 CF	SF	CF	
FRP PROTECTIVE SYSTEM AWL	181.0 SF				
FRP PROTECTIVE SYSTEM BWL	66.0 SF				

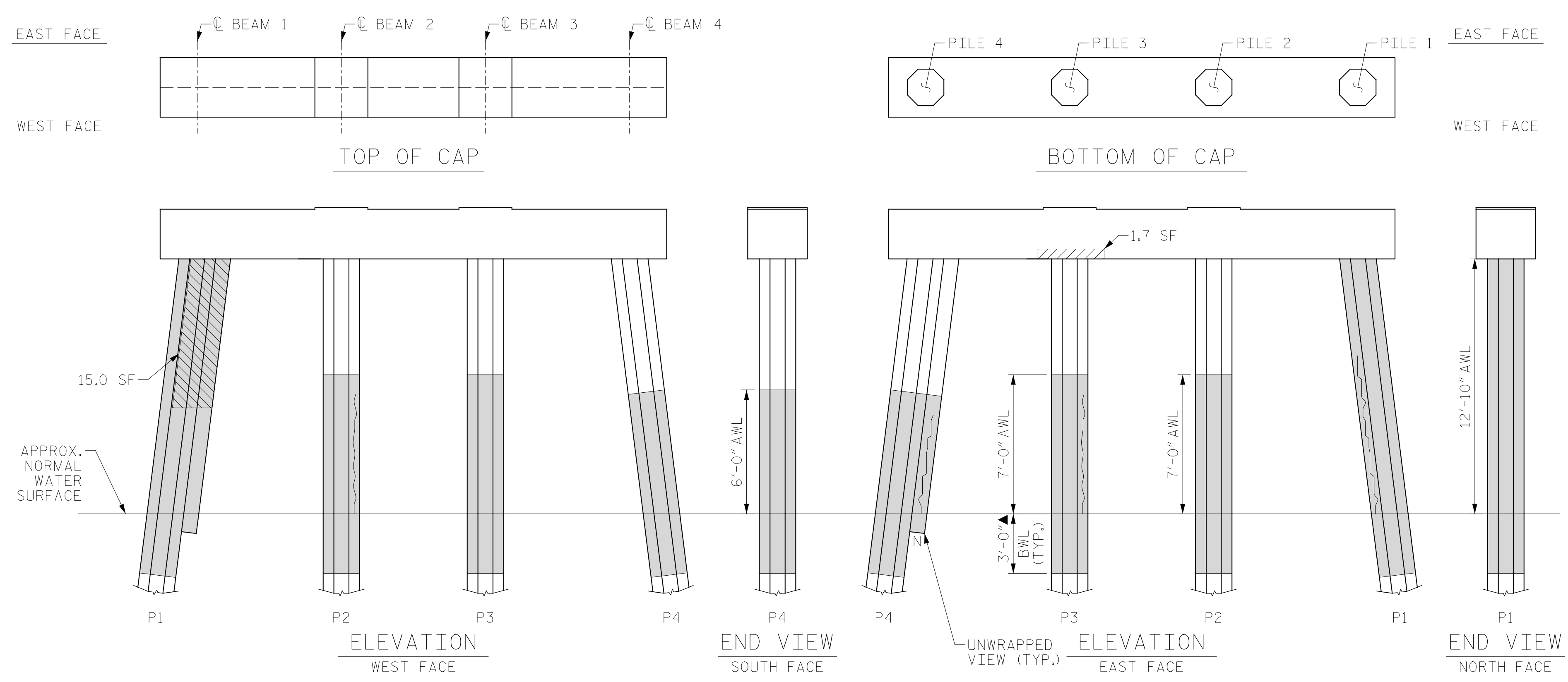
BENT 26

CAP REPAIRS		ESTIMATE			
SHOTCRETE REPAIRS	3.3 SF	1.7 CF	SF	CF	
EPOXY RESIN INJECTION	- LF				LF
PILE REPAIRS		ESTIMATE			
PILE CONCRETE RESTORATION	35.5 SF	14.5 CF	SF	CF	
FRP PROTECTIVE SYSTEM AWL	142.5 SF				
FRP PROTECTIVE SYSTEM BWL	49.5 SF				

FOR CAP REPAIRS: VALUES IN CHART REPRESENT ESTIMATED REPAIR TOTALS AFTER REMOVAL OF UNSOUND CONCRETE, MIN. OF 1" BEHIND REBAR AND MIN. 2" CL. TO SAWCUT. SEE REPAIR DETAILS.

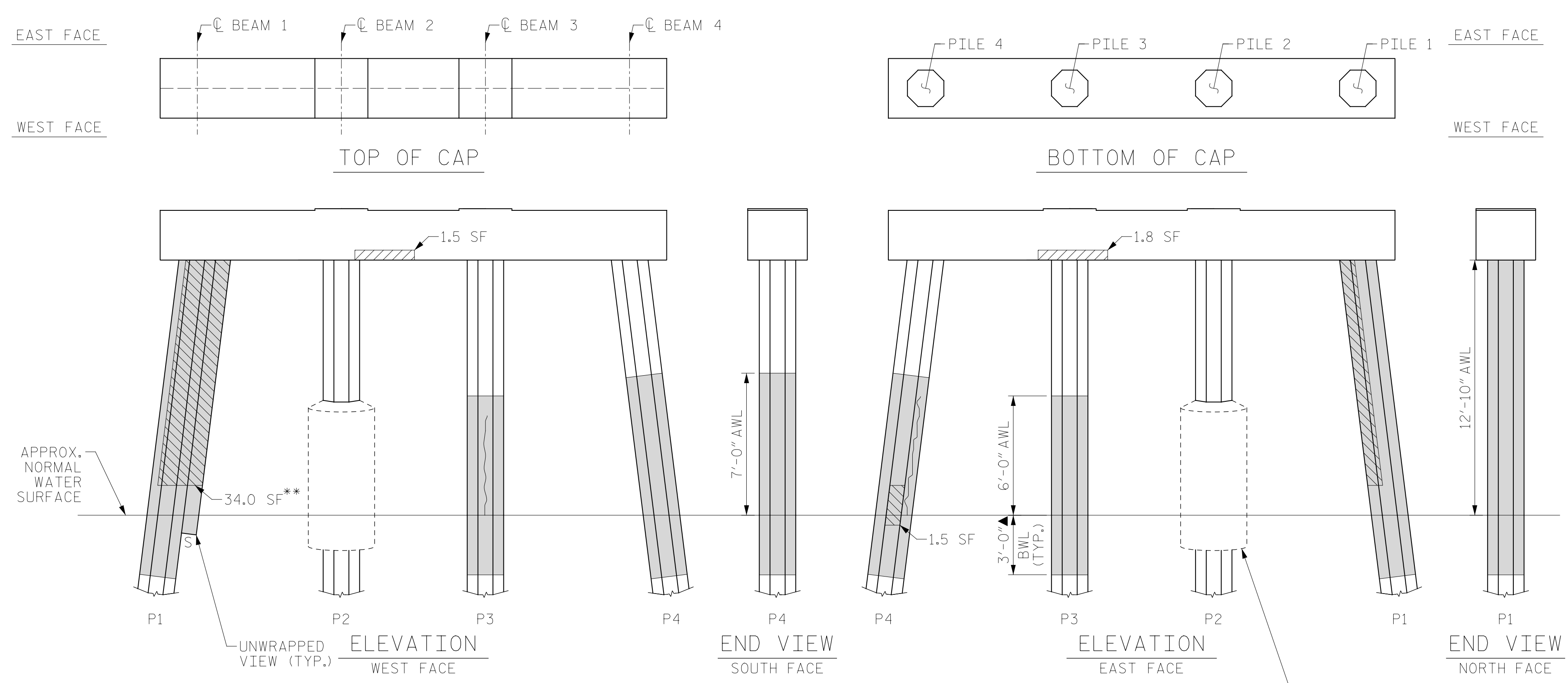
NOTES:
REPAIR LOCATIONS AND ESTIMATE OF QUANTITIES ARE GIVEN WITH THE BEST INFORMATION AVAILABLE. IF ADDITIONAL REPAIRS NOT SHOWN ON THE DRAWINGS ARE DEEMED NECESSARY BY THE ENGINEER, THE CONTRACTOR SHALL NOTE ON THE DRAWINGS THE APPROXIMATE LOCATION AND DESCRIPTION OF THE REPAIRS AND ADJUST THE ACTUAL QUANTITIES ENTERED INTO THE REPAIR QUANTITY TABLE.

FOR SHOTCRETE REPAIRS, SEE SPECIAL PROVISIONS.
FOR CONCRETE REPAIR DETAILS, SEE "TYPICAL CAP, COLUMN & UNDERDECK REPAIR DETAILS" & "PILE CONCRETE RESTORATION DETAILS" SHEETS.
FOR PILE CONCRETE RESTORATION, SEE SPECIAL PROVISIONS.
FOR FRP PROTECTIVE SYSTEM, SEE SPECIAL PROVISIONS.
FOR FRP PROTECTIVE SYSTEM DETAILS AND UNDERWATER MORTAR REPAIRS, SEE "PILE FRP PROTECTIVE SYSTEM DETAILS" SHEET.



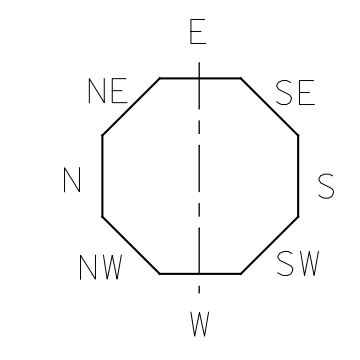
BENT 25

(AWL = ABOVE WATERLINE)
(BWL = BELOW WATERLINE)
(*QUANTITY INCLUDES ADJACENT REPAIRS)



BENT 26

(AWL = ABOVE WATERLINE)
(BWL = BELOW WATERLINE)
(*QUANTITY INCLUDES ADJACENT REPAIRS)



ESTIMATED PILE CRACK QTY.

	NW	W	SW	S	SE	E	NE	N
BENT 25	PILE 1	-	-	-	-	8	-	5
	PILE 2	-	4	6	4	-	-	-
	PILE 3	-	-	3	3	-	4	6
	PILE 4	4	-	3	-	-	-	5
BENT 26	PILE 1	-	-	-	-	-	-	-
	PILE 2	-	-	-	-	-	-	-
	PILE 3	-	5	-	-	-	2	-
	PILE 4	3	-	4	-	-	4	6

NOTE: FOR INFORMATION ON PILE CONDITION ONLY.

▲ FRP PROTECTIVE SYSTEM BELOW WATERLINE MAY INCLUDE APPROVED UNDERWATER MORTAR REPAIRS

- ERI - EPOXY RESIN INJECTION
- [Shaded] - FRP PROTECTIVE SYSTEM
- [Hatched] - PILE CONCRETE RESTORATION
- [Dotted] - SHOTCRETE REPAIRS



DocuSigned by:
Eric B. Nelson
7/14/2022

PROJECT NO. HB-0017
DARE COUNTY
BRIDGE NO. 270009

STATE OF NORTH CAROLINA
DEPARTMENT OF TRANSPORTATION
RALEIGH

BENT 25 & BENT 26

DRAWN BY: T. HARTLEY DATE: 2/2019
CHECKED BY: R. WERTMAN DATE: 3/2019



DOCUMENT NOT CONSIDERED FINAL UNLESS ALL SIGNATURES COMPLETED

REVISIONS						SHEET NO.
NO.	BY:	DATE:	NO.	BY:	DATE:	S-128
1			3			TOTAL SHEETS
2			4			355