

AS-BUILT REPAIR QUANTITY TABLE

BENT 23

CAP REPAIRS		ESTIMATE			
SHOTCRETE REPAIRS	- SF	- CF	SF	CF	
EPOXY RESIN INJECTION		- LF			LF
PILE REPAIRS		ESTIMATE			
PILE CONCRETE RESTORATION	1.9 SF	1.0 CF	SF	CF	
FRP PROTECTIVE SYSTEM AWL	132.9 SF				
FRP PROTECTIVE SYSTEM BWL	66.0 SF				

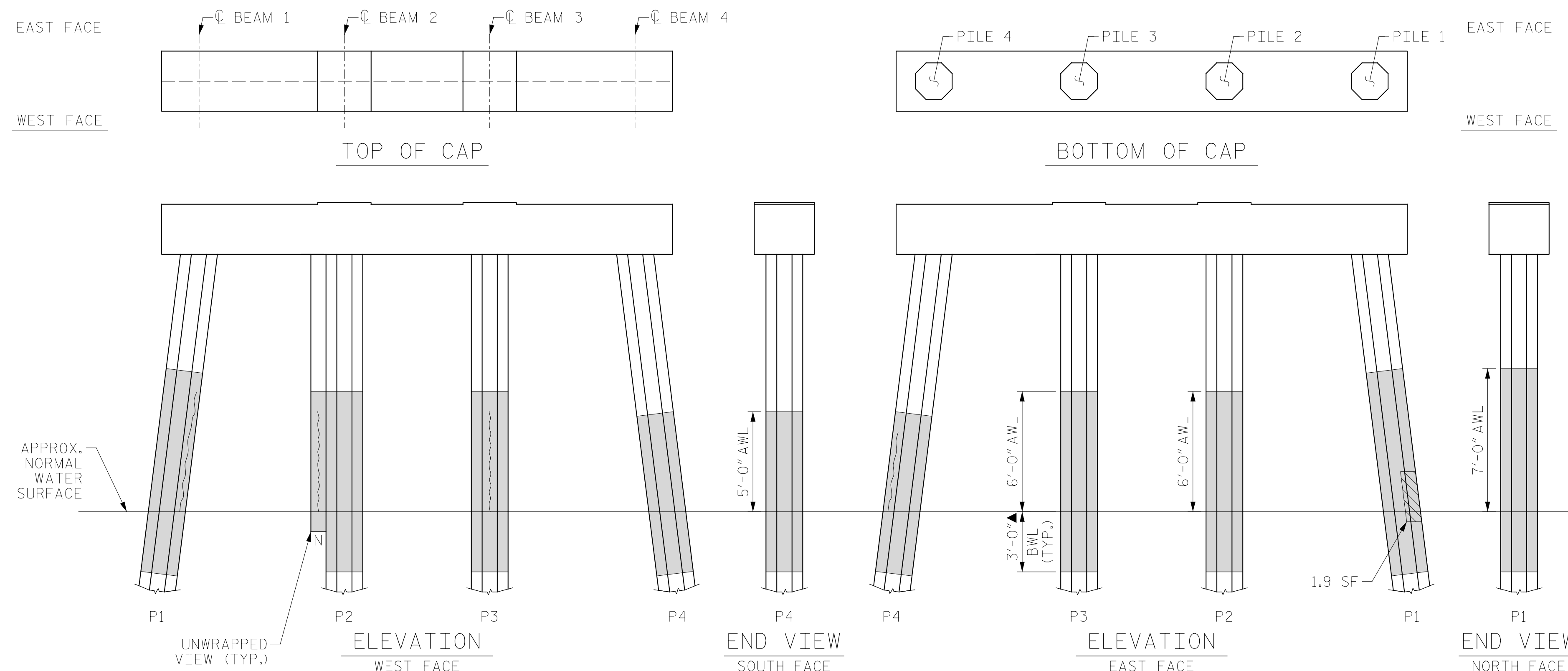
BENT 24

CAP REPAIRS		ESTIMATE			
SHOTCRETE REPAIRS	- SF	- CF	SF	CF	
EPOXY RESIN INJECTION		- LF			LF
PILE REPAIRS		ESTIMATE			
PILE CONCRETE RESTORATION	22.3 SF	9.1 CF	SF	CF	
FRP PROTECTIVE SYSTEM AWL	143.9 SF				
FRP PROTECTIVE SYSTEM BWL	66.0 SF				

FOR CAP REPAIRS: VALUES IN CHART REPRESENT ESTIMATED REPAIR TOTALS AFTER REMOVAL OF UNSOUND CONCRETE, MIN. OF 1" BEHIND REBAR AND MIN. 2" CL. TO SAWCUT. SEE REPAIR DETAILS.

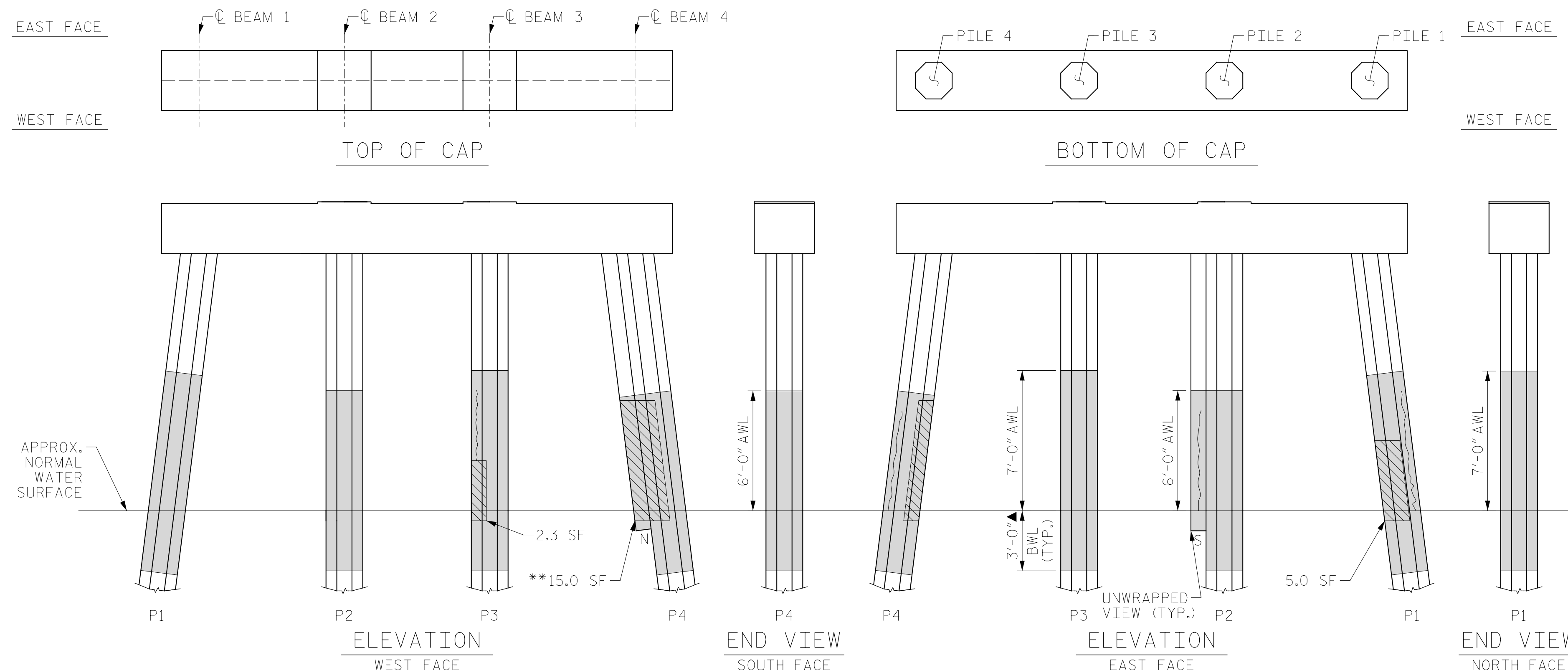
NOTES:  
REPAIR LOCATIONS AND ESTIMATE OF QUANTITIES ARE GIVEN WITH THE BEST INFORMATION AVAILABLE. IF ADDITIONAL REPAIRS NOT SHOWN ON THE DRAWINGS ARE DEEMED NECESSARY BY THE ENGINEER, THE CONTRACTOR SHALL NOTE ON THE DRAWINGS THE APPROXIMATE LOCATION AND DESCRIPTION OF THE REPAIRS AND ADJUST THE ACTUAL QUANTITIES ENTERED INTO THE REPAIR QUANTITY TABLE.

FOR SHOTCRETE REPAIRS, SEE SPECIAL PROVISIONS.  
FOR CONCRETE REPAIR DETAILS, SEE "TYPICAL CAP, COLUMN & UNDERDECK REPAIR DETAILS" & "PILE CONCRETE RESTORATION DETAILS" SHEETS.  
FOR PILE CONCRETE RESTORATION, SEE SPECIAL PROVISIONS.  
FOR FRP PROTECTIVE SYSTEM, SEE SPECIAL PROVISIONS.  
FOR FRP PROTECTIVE SYSTEM DETAILS AND UNDERWATER MORTAR REPAIRS, SEE "PILE FRP PROTECTIVE SYSTEM DETAILS" SHEET.



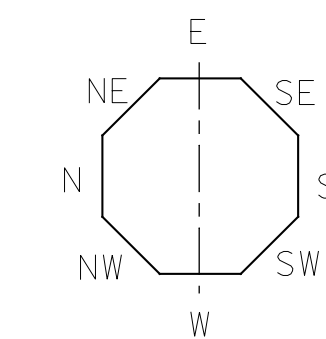
BENT 23

(AWL = ABOVE WATERLINE)  
(BWL = BELOW WATERLINE)  
(\*QUANTITY INCLUDES ADJACENT REPAIRS)



BENT 24

(AWL = ABOVE WATERLINE)  
(BWL = BELOW WATERLINE)  
(\*QUANTITY INCLUDES ADJACENT REPAIRS)



ESTIMATED PILE CRACK QTY.								
		NW	W	SW	S	SE	E	NE
BENT 23	PILE 1	-	-	6	-	-	-	3
	PILE 2	-	2	-	2	-	-	5
	PILE 3	5	5	-	-	-	-	5
	PILE 4	-	-	-	-	4	-	-
BENT 24	PILE 1	3	2	-	-	-	-	6
	PILE 2	4	4	-	5	-	3	-
	PILE 3	6	-	-	-	3	-	-
	PILE 4	-	-	-	-	-	5	-

NOTE: FOR INFORMATION ON PILE CONDITION ONLY.

PROJECT NO. HB-0017  
DARE COUNTY  
BRIDGE NO. 270009

▲ FRP PROTECTIVE SYSTEM BELOW WATERLINE MAY INCLUDE APPROVED UNDERWATER MORTAR REPAIRS

- ERI - EPOXY RESIN INJECTION
- [Solid Grey] - FRP PROTECTIVE SYSTEM
- [Diagonal Lines] - PILE CONCRETE RESTORATION
- [Cross-hatch] - SHOTCRETE REPAIRS



DocuSigned by:  
Eric B. Nelson, Jr.  
7/14/2022  
AC880211907ACD...

STATE OF NORTH CAROLINA  
DEPARTMENT OF TRANSPORTATION  
RALEIGH

BENT 23 & BENT 24

DRAWN BY: T. HARTLEY DATE: 2/2019  
CHECKED BY: R. WERTMAN DATE: 3/2019



REVISIONS						SHEET NO.
NO.	BY:	DATE:	NO.	BY:	DATE:	
1			3			TOTAL SHEETS 355
2			4			

DOCUMENT NOT CONSIDERED FINAL UNLESS ALL SIGNATURES COMPLETED