

AS-BUILT REPAIR QUANTITY TABLE

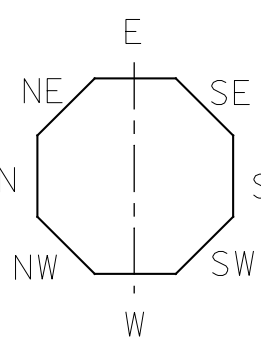
BENT 15					
CAP REPAIRS		ESTIMATE			
SHOTCRETE REPAIRS	6.4 SF	3.2 CF	SF	CF	
EPOXY RESIN INJECTION	- LF				LF
PILE REPAIRS		ESTIMATE			
PILE CONCRETE RESTORATION	4.2 SF	2.2 CF	SF	CF	
FRP PROTECTIVE SYSTEM AWL	165.9 SF				
FRP PROTECTIVE SYSTEM BWL	66.0 SF				

BENT 16					
CAP REPAIRS		ESTIMATE			
SHOTCRETE REPAIRS	3.8 SF	2.7 CF	SF	CF	
EPOXY RESIN INJECTION	- LF				LF
PILE REPAIRS		ESTIMATE			
PILE CONCRETE RESTORATION	6.4 SF	3.0 CF	SF	CF	
FRP PROTECTIVE SYSTEM AWL	93.5 SF				
FRP PROTECTIVE SYSTEM BWL	66.0 SF				

FOR CAP REPAIRS: VALUES IN CHART REPRESENT ESTIMATED REPAIR TOTALS AFTER REMOVAL OF UNSOUND CONCRETE, MIN. OF 1" BEHIND REBAR AND MIN. 2" CL. TO SAWCUT. SEE REPAIR DETAILS.

NOTES:
REPAIR LOCATIONS AND ESTIMATE OF QUANTITIES ARE GIVEN WITH THE BEST INFORMATION AVAILABLE. IF ADDITIONAL REPAIRS NOT SHOWN ON THE DRAWINGS ARE DEEMED NECESSARY BY THE ENGINEER, THE CONTRACTOR SHALL NOTE ON THE DRAWINGS THE APPROXIMATE LOCATION AND DESCRIPTION OF THE REPAIRS AND ADJUST THE ACTUAL QUANTITIES ENTERED INTO THE REPAIR QUANTITY TABLE.

FOR SHOTCRETE REPAIRS, SEE SPECIAL PROVISIONS.
FOR CONCRETE REPAIR DETAILS, SEE "TYPICAL CAP, COLUMN & UNDERDECK REPAIR DETAILS" & "PILE CONCRETE RESTORATION DETAILS" SHEETS.
FOR PILE CONCRETE RESTORATION, SEE SPECIAL PROVISIONS.
FOR FRP PROTECTIVE SYSTEM, SEE SPECIAL PROVISIONS.
FOR FRP PROTECTIVE SYSTEM DETAILS AND UNDERWATER MORTAR REPAIRS, SEE "PILE FRP PROTECTIVE SYSTEM DETAILS" SHEET.



ESTIMATED PILE CRACK QTY.									
		NW	W	SW	S	SE	E	NE	N
BENT 15	PILE 1	-	-	-	-	4	-	-	-
	PILE 2	2	-	4	-	-	4	4	-
	PILE 3	4	-	-	7	-	10	-	7
	PILE 4	-	5	-	-	-	5	5	6
BENT 16	PILE 1	-	-	-	-	-	-	-	-
	PILE 2	5	6	-	-	-	-	-	-
	PILE 3	-	-	-	-	-	-	-	-
	PILE 4	3	-	-	-	-	-	-	-

NOTE: FOR INFORMATION ON PILE CONDITION ONLY.

PROJECT NO. HB-0017
DARE COUNTY
 BRIDGE NO. 270009

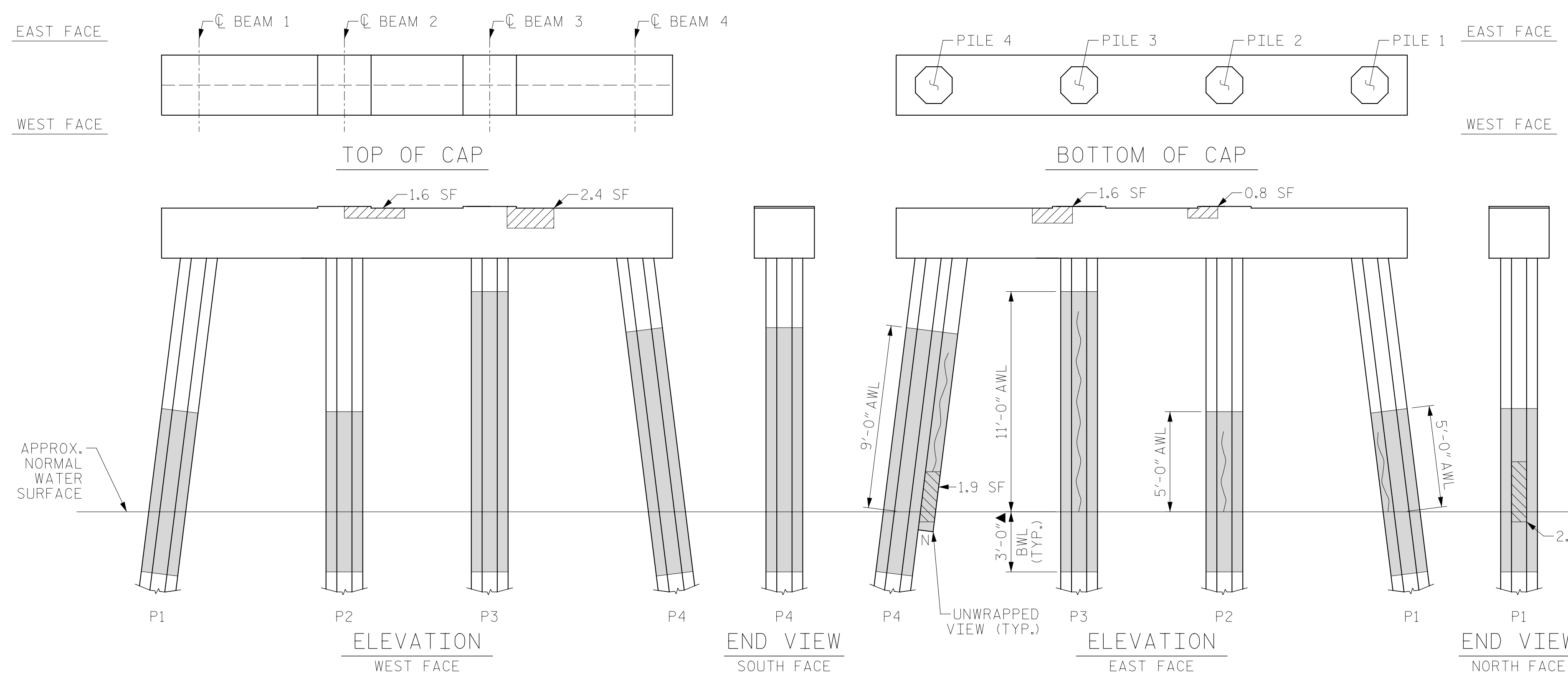


STATE OF NORTH CAROLINA
 DEPARTMENT OF TRANSPORTATION
 RALEIGH

BENT 15 & BENT 16

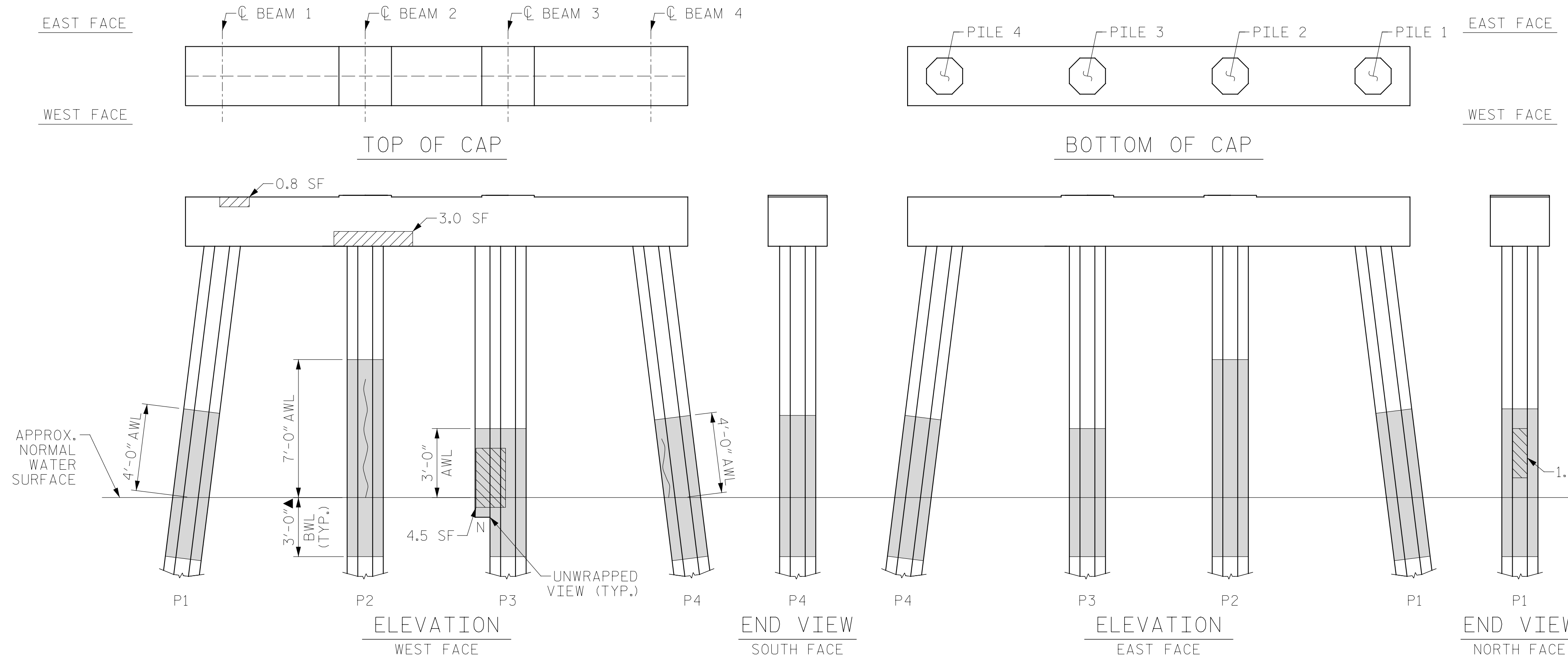
REVISIONS						SHEET NO.	
NO.	BY:	DATE:	NO.	BY:	DATE:	TOTAL SHEETS	
1			3			S-123	
2			4			355	

DOCUMENT NOT CONSIDERED FINAL UNLESS ALL SIGNATURES COMPLETED



BENT 15

(AWL = ABOVE WATERLINE)
 (BWL = BELOW WATERLINE)
 (**QUANTITY INCLUDES ADJACENT REPAIRS)



BENT 16

(AWL = ABOVE WATERLINE)
 (BWL = BELOW WATERLINE)
 (**QUANTITY INCLUDES ADJACENT REPAIRS)

DRAWN BY: T. HARTLEY DATE: 2/2019
 CHECKED BY: R. WERTMAN DATE: 3/2019