

AS-BUILT REPAIR QUANTITY TABLE

BENT 13			
CAP REPAIRS		ESTIMATE	
SHOTCRETE REPAIRS	10.0 SF	5.0 CF	SF CF
EPOXY RESIN INJECTION	- LF		LF
PILE REPAIRS		ESTIMATE	
PILE CONCRETE RESTORATION	12.0 SF	4.7 CF	SF CF
FRP PROTECTIVE SYSTEM AWL	177.0 SF		
FRP PROTECTIVE SYSTEM BWL	82.5 SF		

BENT 14			
CAP REPAIRS		ESTIMATE	
SHOTCRETE REPAIRS	3.8 SF	1.9 CF	SF CF
EPOXY RESIN INJECTION	- LF		LF
PILE REPAIRS		ESTIMATE	
PILE CONCRETE RESTORATION	9.0 SF	4.0 CF	SF CF
FRP PROTECTIVE SYSTEM AWL	132.5 SF		
FRP PROTECTIVE SYSTEM BWL	66.0 SF		

FOR CAP REPAIRS: VALUES IN CHART REPRESENT ESTIMATED REPAIR TOTALS AFTER REMOVAL OF UNSOUND CONCRETE, MIN. OF 1" BEHIND REBAR AND MIN. 2" CL. TO SAWCUT. SEE REPAIR DETAILS.

NOTES:
REPAIR LOCATIONS AND ESTIMATE OF QUANTITIES ARE GIVEN WITH THE BEST INFORMATION AVAILABLE. IF ADDITIONAL REPAIRS NOT SHOWN ON THE DRAWINGS ARE DEEMED NECESSARY BY THE ENGINEER, THE CONTRACTOR SHALL NOTE ON THE DRAWINGS THE APPROXIMATE LOCATION AND DESCRIPTION OF THE REPAIRS AND ADJUST THE ACTUAL QUANTITIES ENTERED INTO THE REPAIR QUANTITY TABLE.

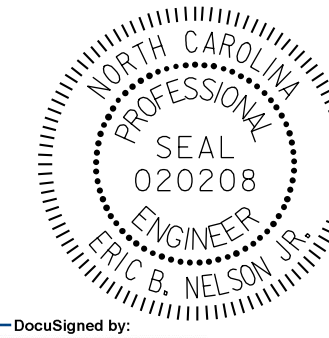
FOR SHOTCRETE REPAIRS, SEE SPECIAL PROVISIONS.
FOR CONCRETE REPAIR DETAILS, SEE "TYPICAL CAP, COLUMN & UNDERDECK REPAIR DETAILS" & "PILE CONCRETE RESTORATION DETAILS" SHEETS.
FOR PILE CONCRETE RESTORATION, SEE SPECIAL PROVISIONS.
FOR FRP PROTECTIVE SYSTEM, SEE SPECIAL PROVISIONS.
FOR FRP PROTECTIVE SYSTEM DETAILS AND UNDERWATER MORTAR REPAIRS, SEE "PILE FRP PROTECTIVE SYSTEM DETAILS" SHEET.

ESTIMATED PILE CRACK QTY.

BENT	PILE	DIRECTION							
		NW	W	SW	S	SE	E	NE	N
BENT 13	PILE 1	5	5	-	-	-	-	6	-
	PILE 2	-	-	-	4	-	-	-	-
	PILE 3	-	6	-	-	-	4	-	-
	PILE 4	-	-	-	-	-	-	-	-
BENT 14	PILE 1	-	5	-	-	-	-	3	-
	PILE 2	-	-	-	-	-	-	5	-
	PILE 3	-	-	4	-	6	6	-	7
	PILE 4	3	-	-	-	-	-	-	-

NOTE: FOR INFORMATION ON PILE CONDITION ONLY.

PROJECT NO. HB-0017
DARE COUNTY
 BRIDGE NO. 270009



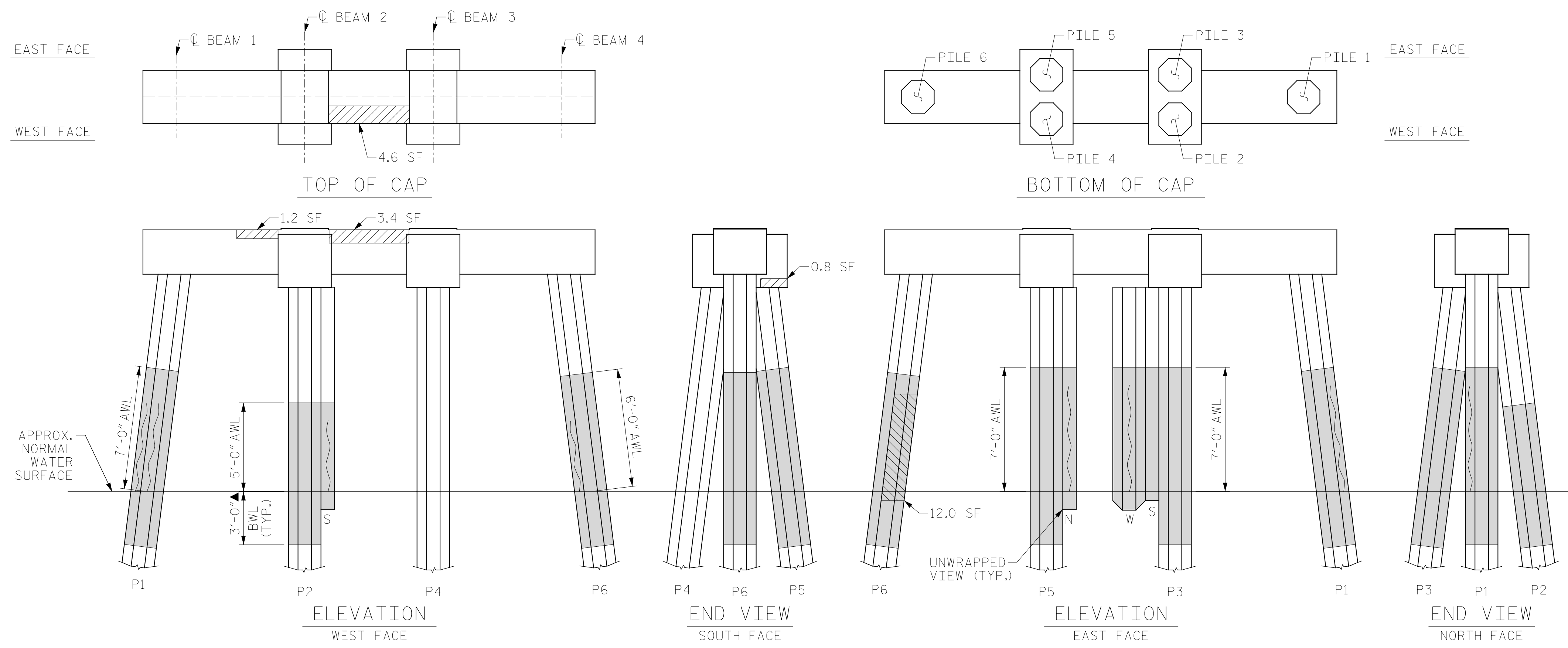
DocuSigned by:
 Eric B. Nelson, Jr.
 7/14/2022

STATE OF NORTH CAROLINA
 DEPARTMENT OF TRANSPORTATION
 RALEIGH

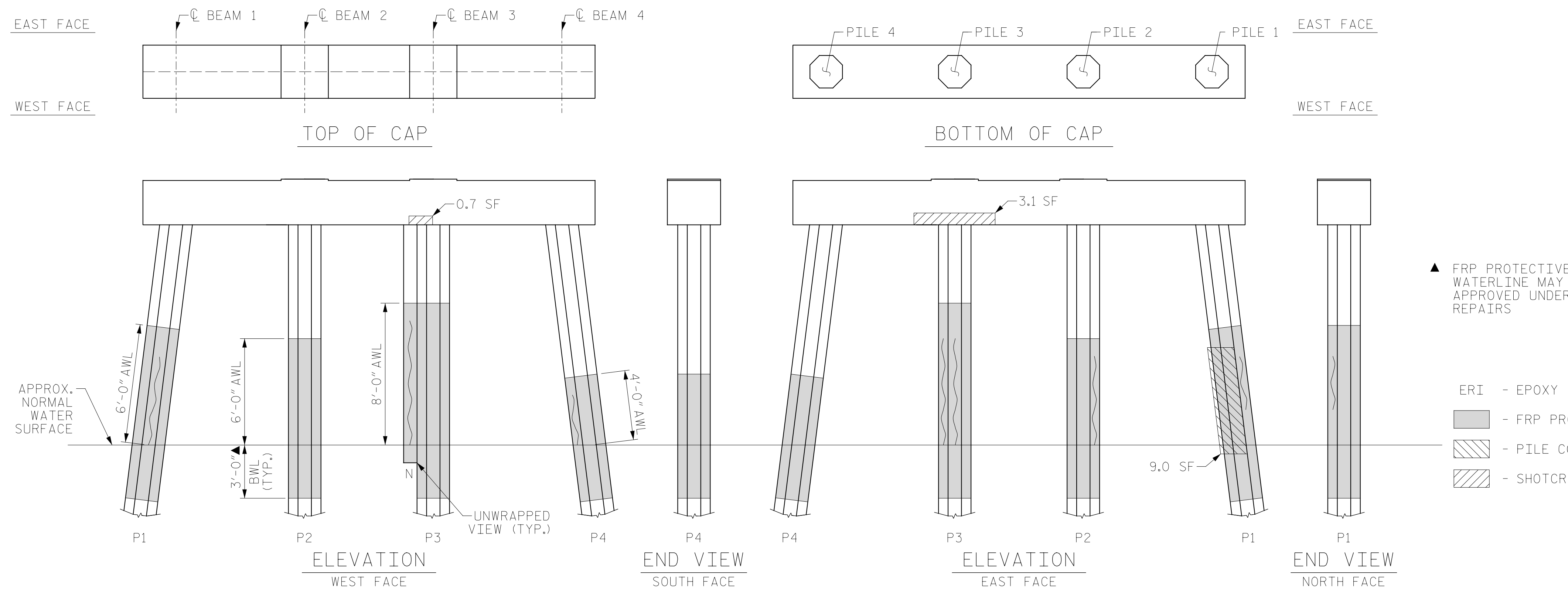
BENT 13 & BENT 14

REVISIONS						SHEET NO. S-122
NO.	BY:	DATE:	NO.	BY:	DATE:	
1			3			TOTAL SHEETS 355
2			4			

DOCUMENT NOT CONSIDERED FINAL UNLESS ALL SIGNATURES COMPLETED



BENT 13
 (AWL = ABOVE WATERLINE)
 (BWL = BELOW WATERLINE)
 (**QUANTITY INCLUDES ADJACENT REPAIRS)



BENT 14
 (AWL = ABOVE WATERLINE)
 (BWL = BELOW WATERLINE)
 (**QUANTITY INCLUDES ADJACENT REPAIRS)

- ▲ FRP PROTECTIVE SYSTEM BELOW WATERLINE MAY INCLUDE APPROVED UNDERWATER MORTAR REPAIRS
- ERI - EPOXY RESIN INJECTION
- - FRP PROTECTIVE SYSTEM
- ▨ - PILE CONCRETE RESTORATION
- ▩ - SHOTCRETE REPAIRS

DRAWN BY: T. HARTLEY DATE: 2/2019
 CHECKED BY: R. WERTMAN DATE: 3/2019