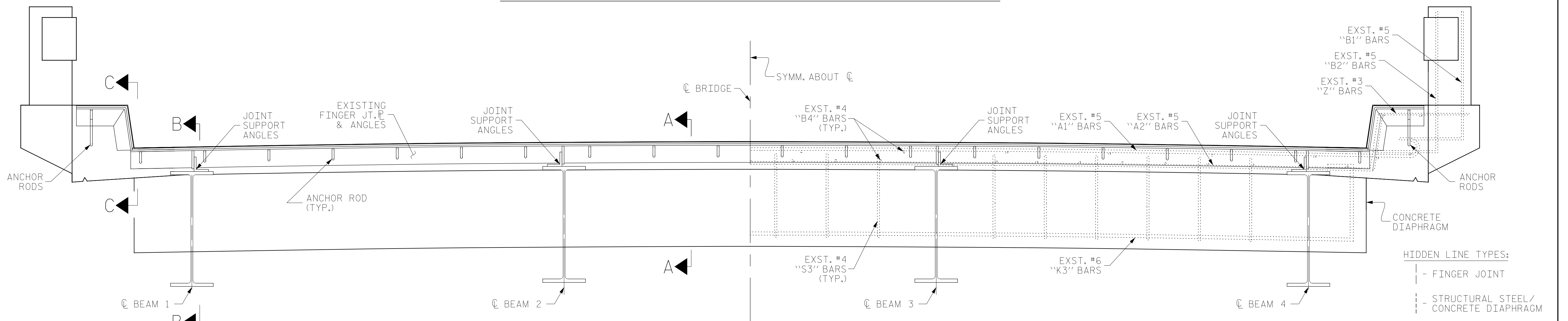
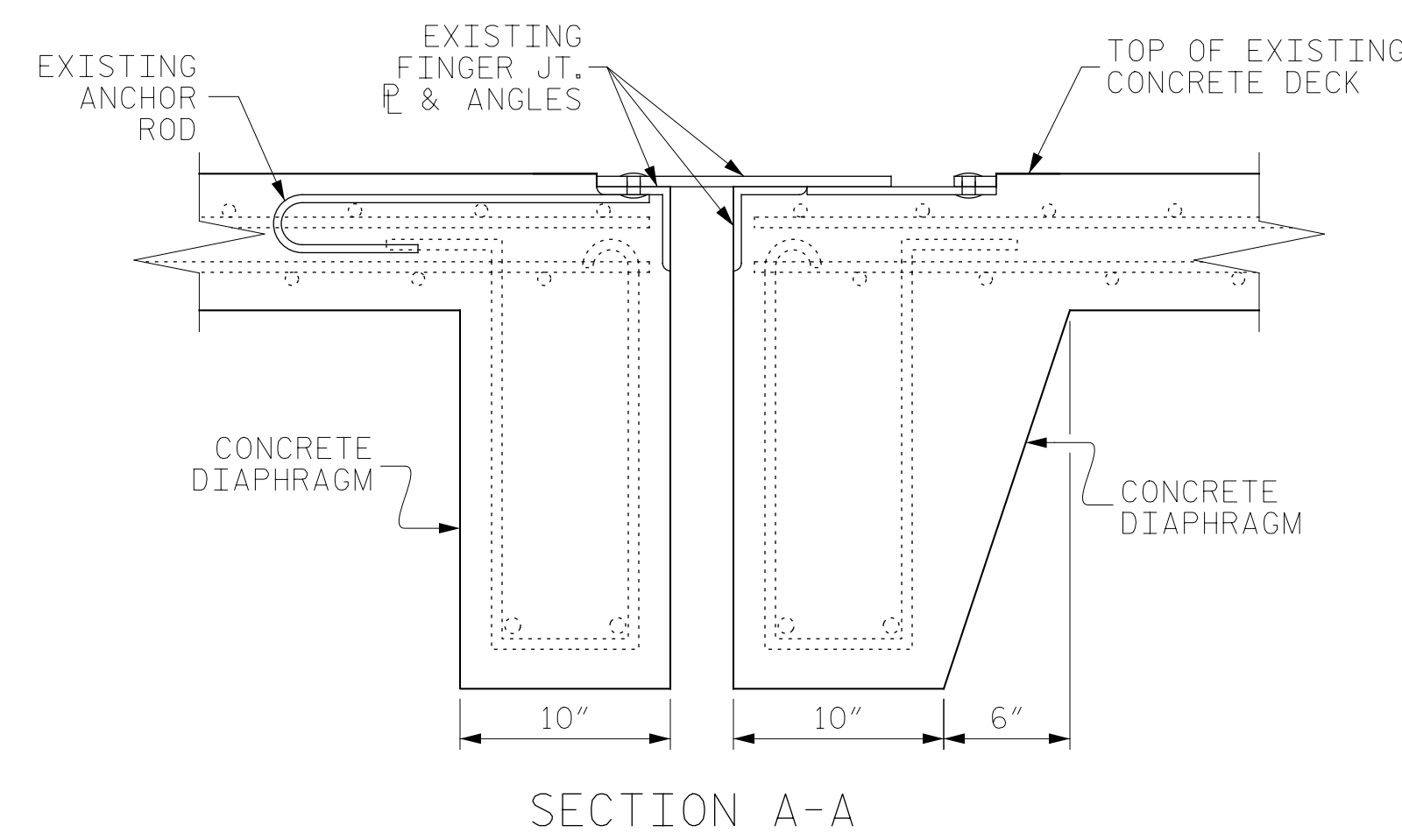


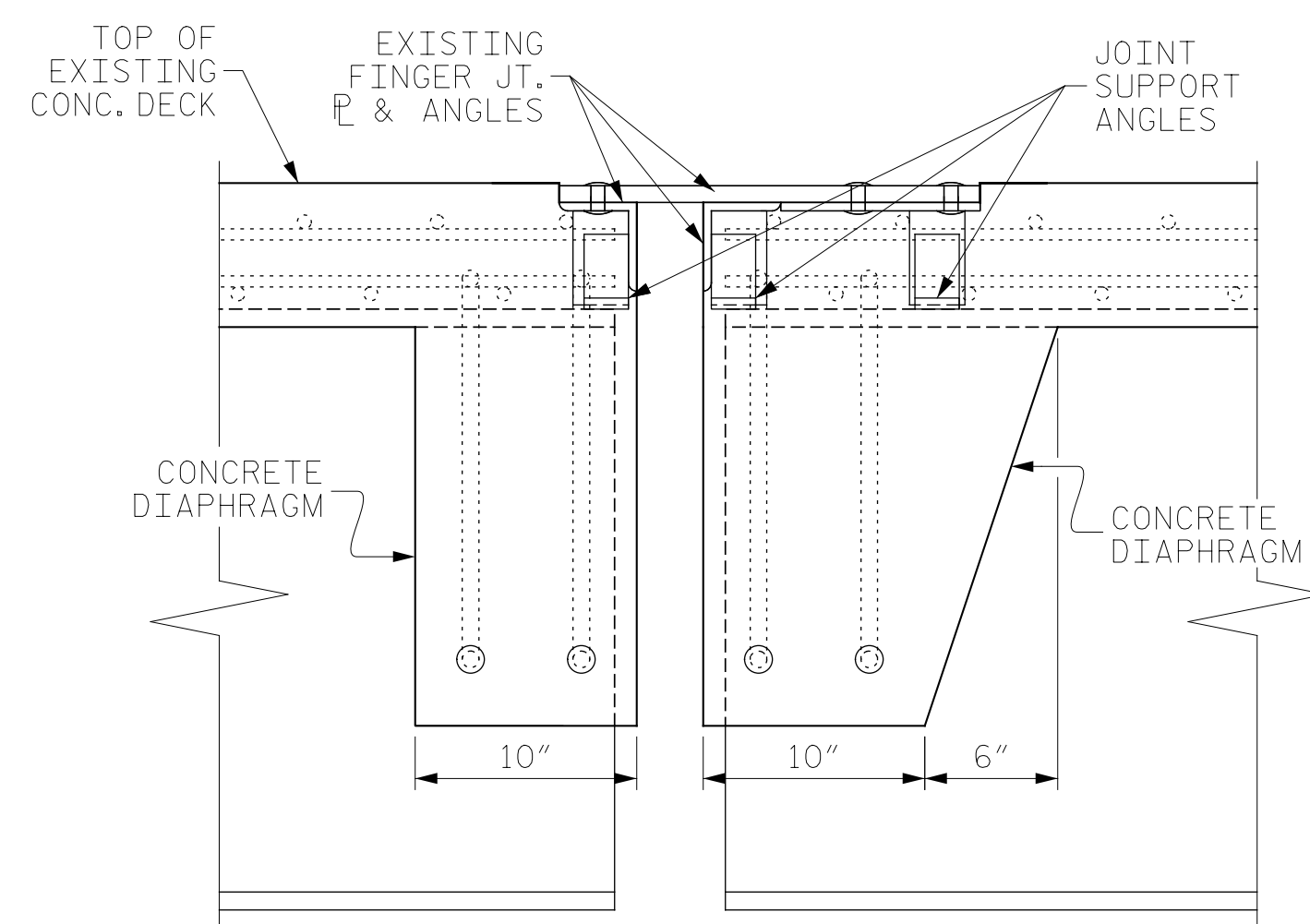
PLAN VIEW OF EXISTING FINGER JOINT



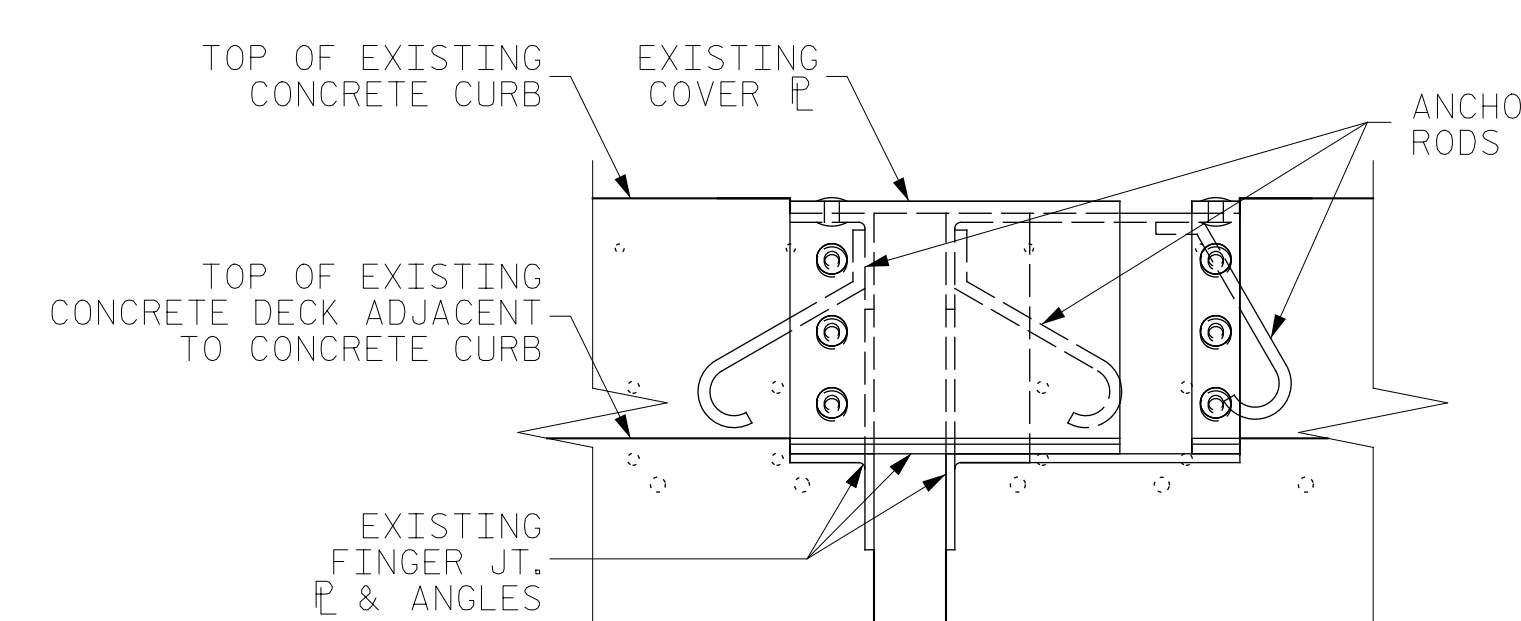
ELEVATION VIEW OF EXISTING FINGER JOINT



SECTION A-A



SECTION B-B



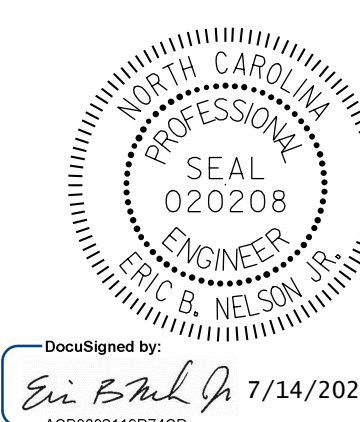
SECTION C-C

PROJECT NO. HB-0017
DARE COUNTY
 BRIDGE NO. 270009

SHEET 1 OF 5

STATE OF NORTH CAROLINA
 DEPARTMENT OF TRANSPORTATION
 RALEIGH

FINGER JOINT
 REPLACEMENT



DocuSigned by:
 Eric B. Nelson 7/14/2022
 AC8082116D74CD



DOCUMENT NOT CONSIDERED
 FINAL UNLESS ALL
 SIGNATURES COMPLETED

REVISIONS						SHEET NO.
NO.	BY:	DATE:	NO.	BY:	DATE:	S-107
1			3			TOTAL SHEETS
2			4			355

DRAWN BY: M. SPENCER DATE: 04/2019
 CHECKED BY: R. NELSON DATE: 04/2019