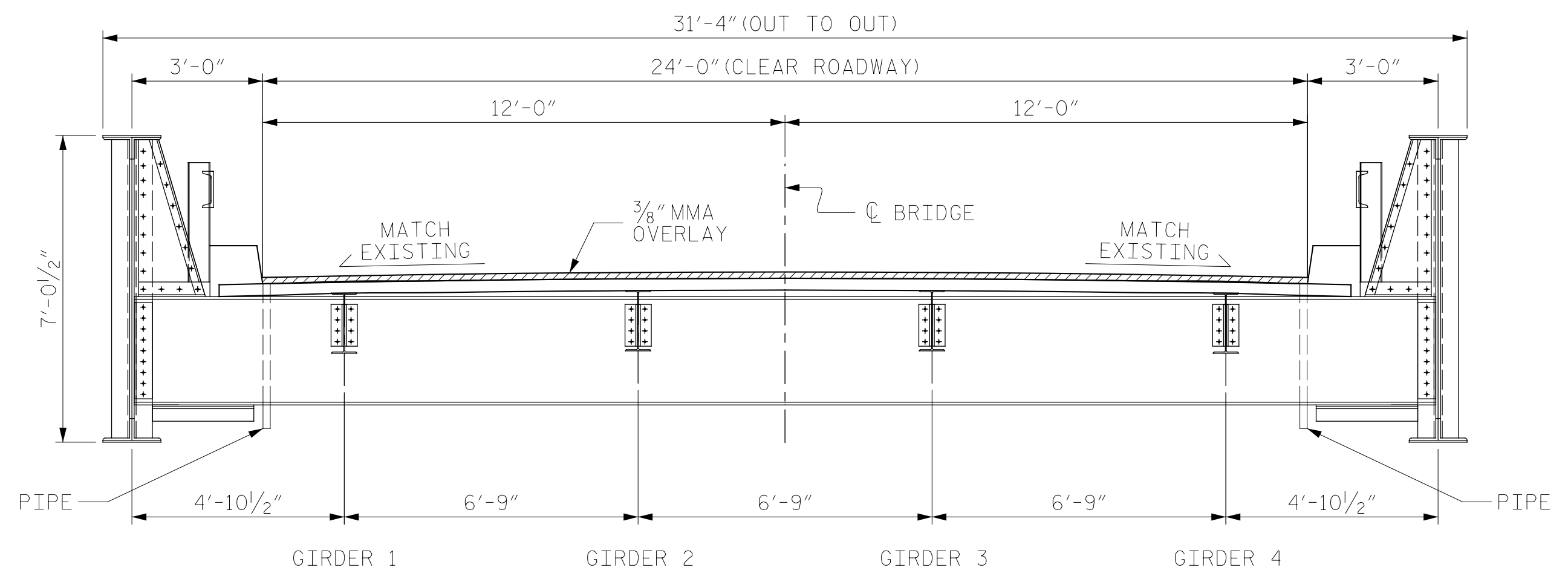
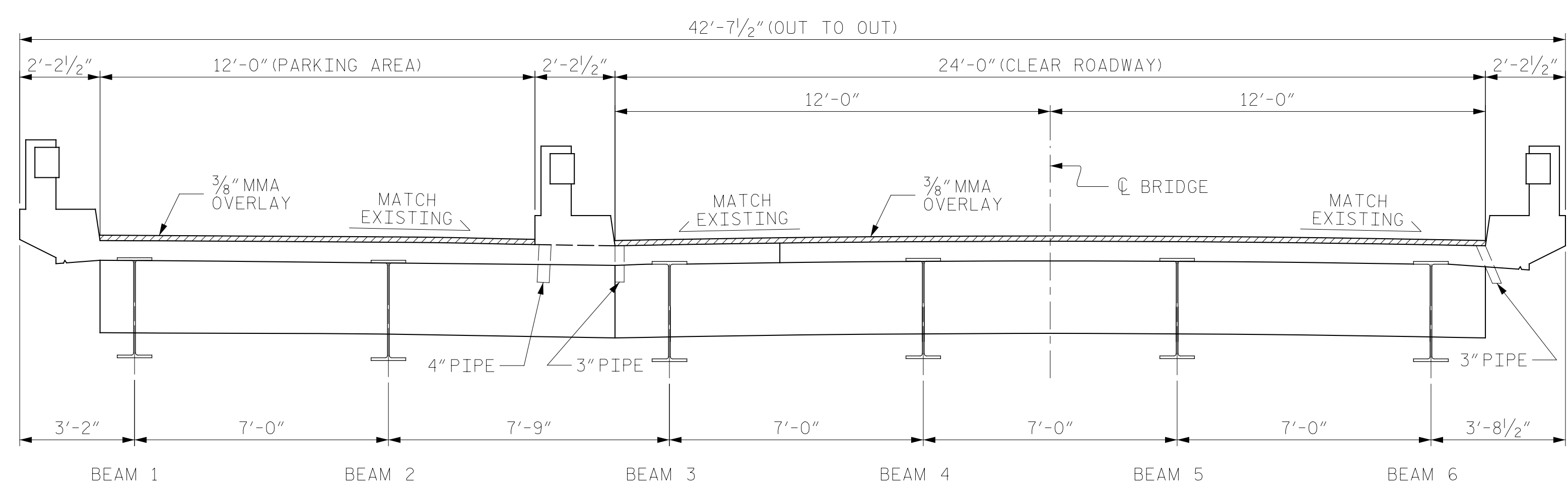


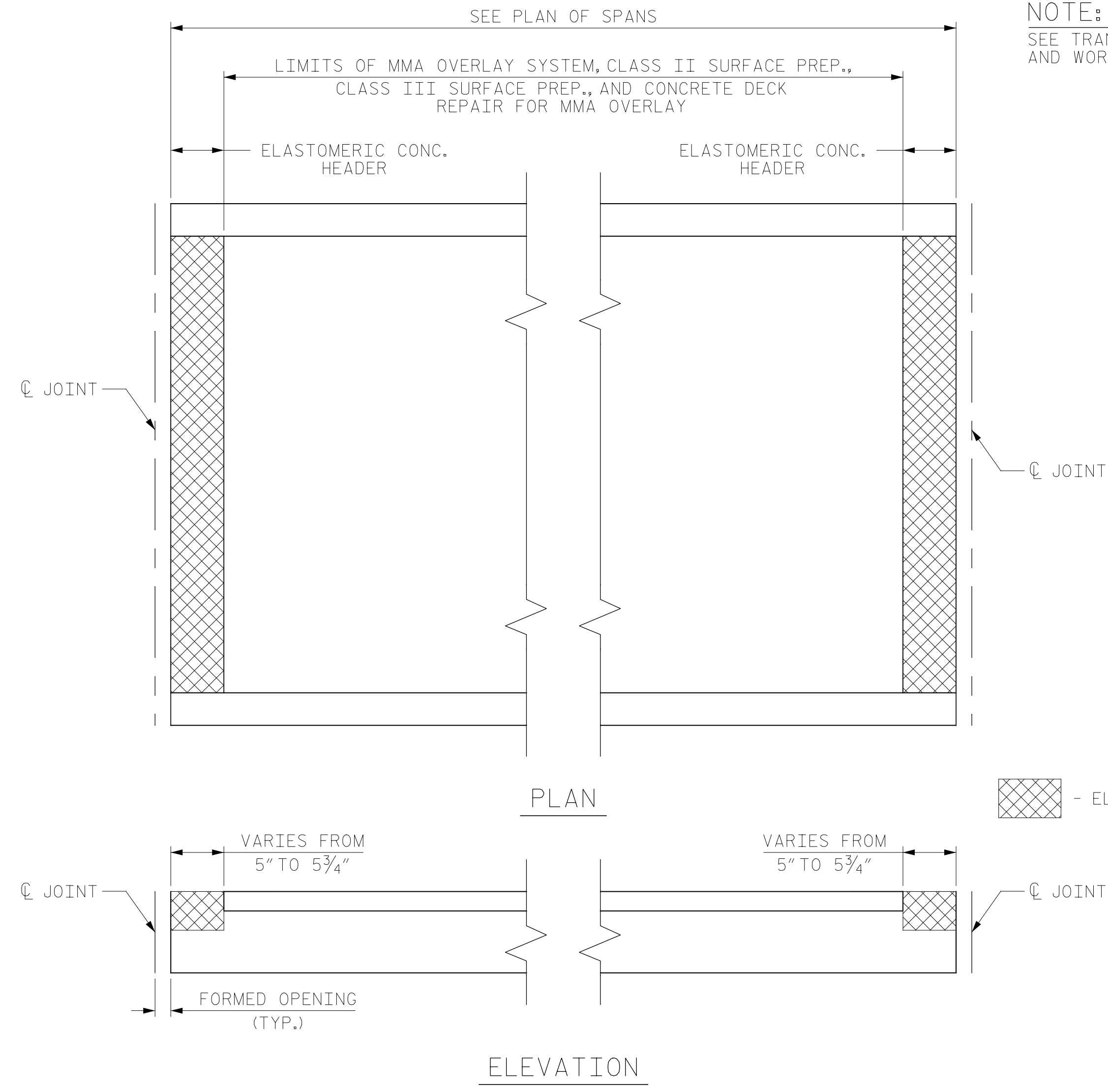
TYPICAL SECTION - A & B
(DIAPHRAGM AT BENTS - TYPE A, B, C, D, E SPANS)
(PROPOSED)



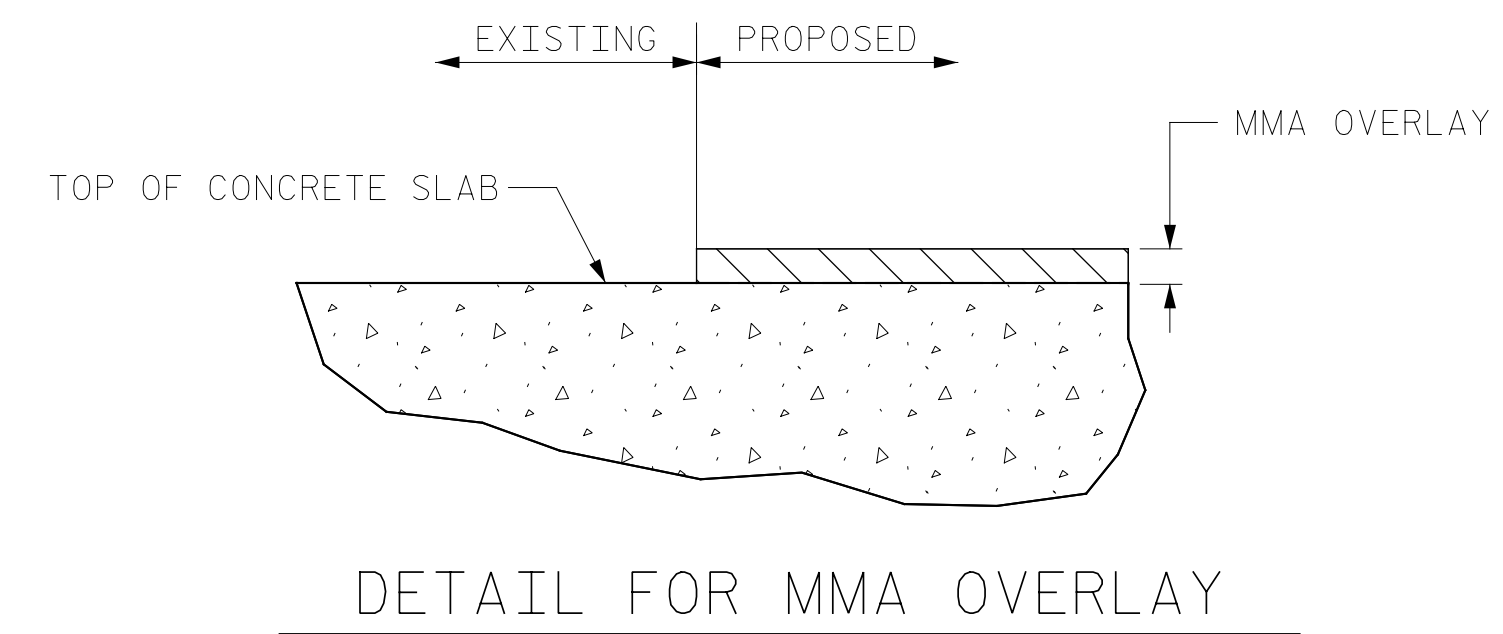
TYPICAL SECTION - D
(HALF SECTION AT INTERIOR FLOOR BEAM- THRU SPAN)
(PROPOSED)



TYPICAL SECTION - C
(DIAPHRAGM AT BENTS - TYPE F SPAN)
(PROPOSED)



PAY LIMITS FOR OVERLAY BID ITEMS



DETAIL FOR MMA OVERLAY

NOTE:
SEE TRANSPORTATION MANAGEMENT PLANS FOR TRAFFIC STAGING AND WORK ZONE DIMENSIONS.

DRAWN BY: M.A.LEE DATE: 3/2019
CHECKED BY: R.NELSON DATE: 4/2019

GANNETT FLEMING
One Glenwood Avenue
Suite 900
Raleigh, NC 27603
(919) 420-7660
NC Lic. No. F-0270

DocuSigned by:
Eric B. Nelson Jr. 7/14/2022
ACB892119714CD...

PROJECT NO. HB-0017
DARE COUNTY
BRIDGE NO. 270009

STATE OF NORTH CAROLINA DEPARTMENT OF TRANSPORTATION RALEIGH					
TYPICAL SECTION & OVERLAY DETAILS					
REVISIONS					
NO.	BY:	DATE:	NO.	BY:	DATE:
1			3		
2			4		
SHEET NO.					S-16
TOTAL SHEETS					355

DOCUMENT NOT CONSIDERED FINAL UNLESS ALL SIGNATURES COMPLETED