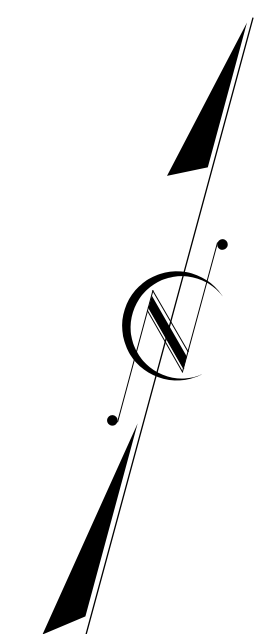
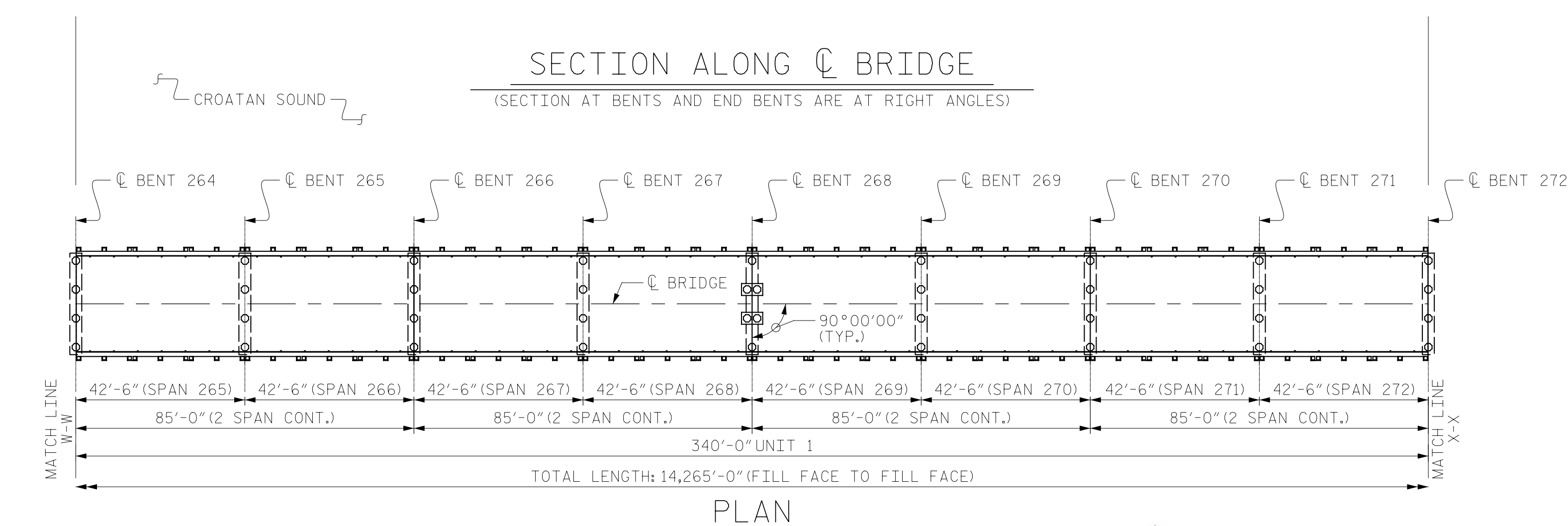
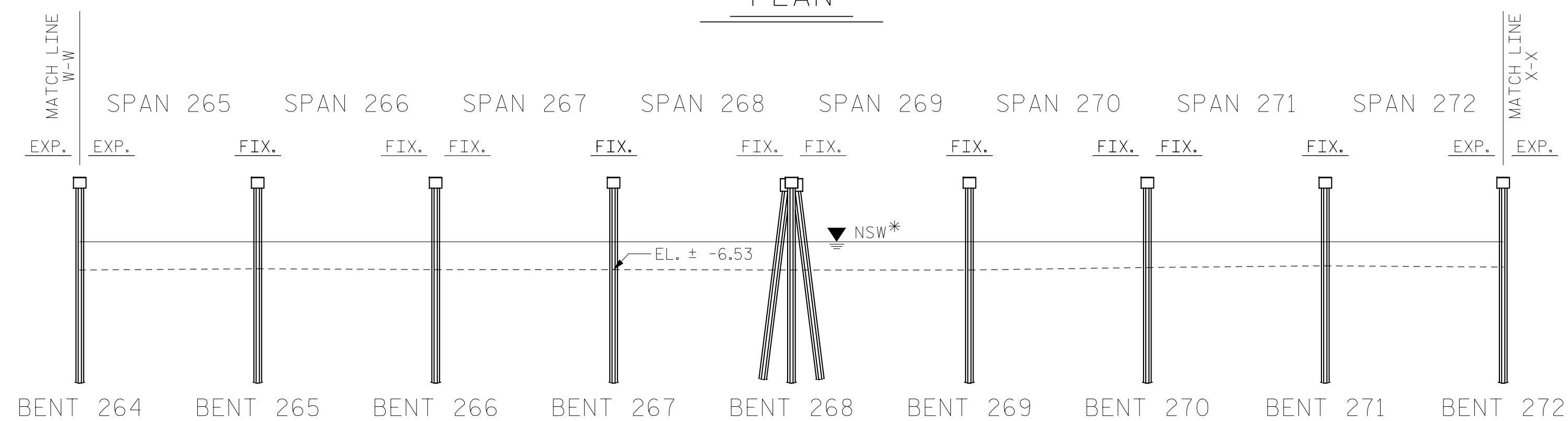
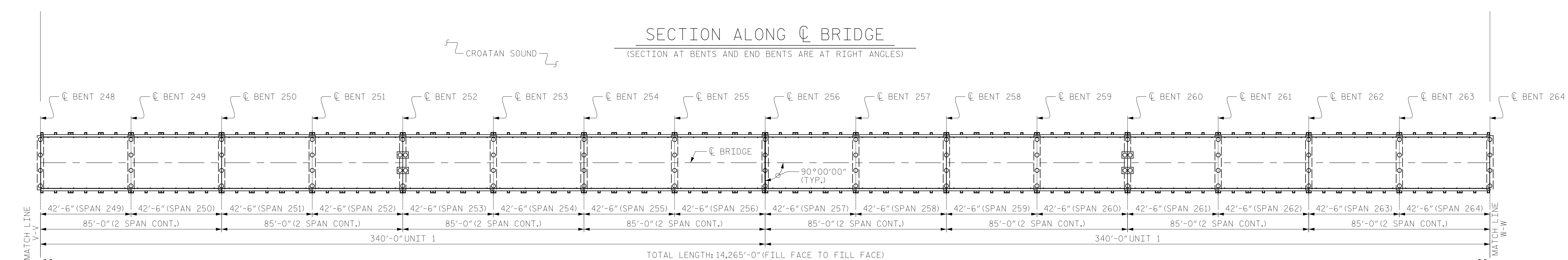
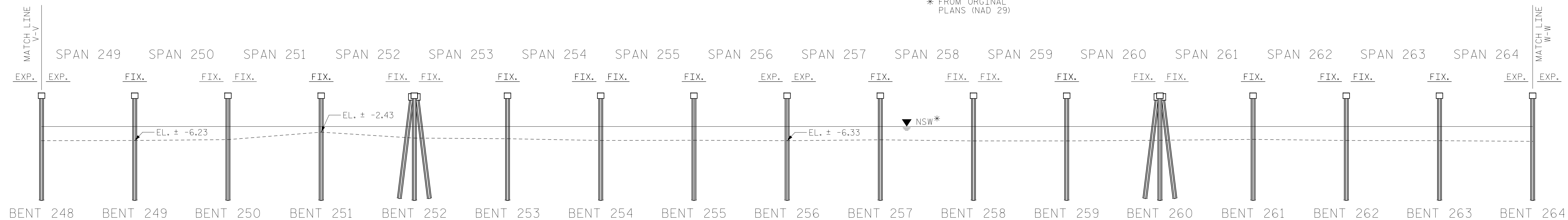


EL. 0.4'
* FROM ORIGINAL
PLANS (NAD 29)

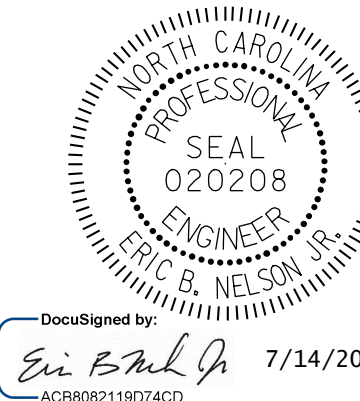


PROJECT NO. HB-0017
DARE COUNTY
BRIDGE NO. 270009

SHEET 12 OF 15

STATE OF NORTH CAROLINA
DEPARTMENT OF TRANSPORTATION
RALEIGH

GENERAL DRAWING
BRIDGE #270009 ON US 64
OVER CROATAN SOUND



DocuSigned by
Eric B. Nelson, Jr.
7/14/2022



DOCUMENT NOT CONSIDERED
FINAL UNLESS ALL
SIGNATURES COMPLETED

REVISIONS						SHEET NO.
NO.	BY:	DATE:	NO.	BY:	DATE:	S-12
1			3			TOTAL SHEETS
2			4			355

DRAWN BY: T.HARTLEY DATE: 2/2019
CHECKED BY: R.WERTMAN DATE: 3/2019