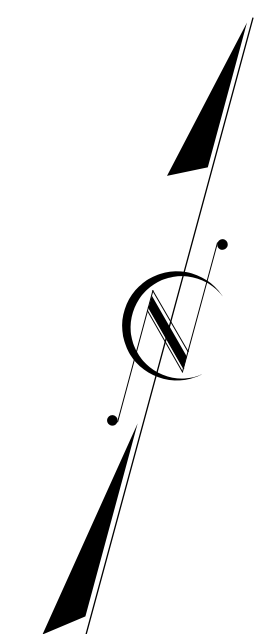
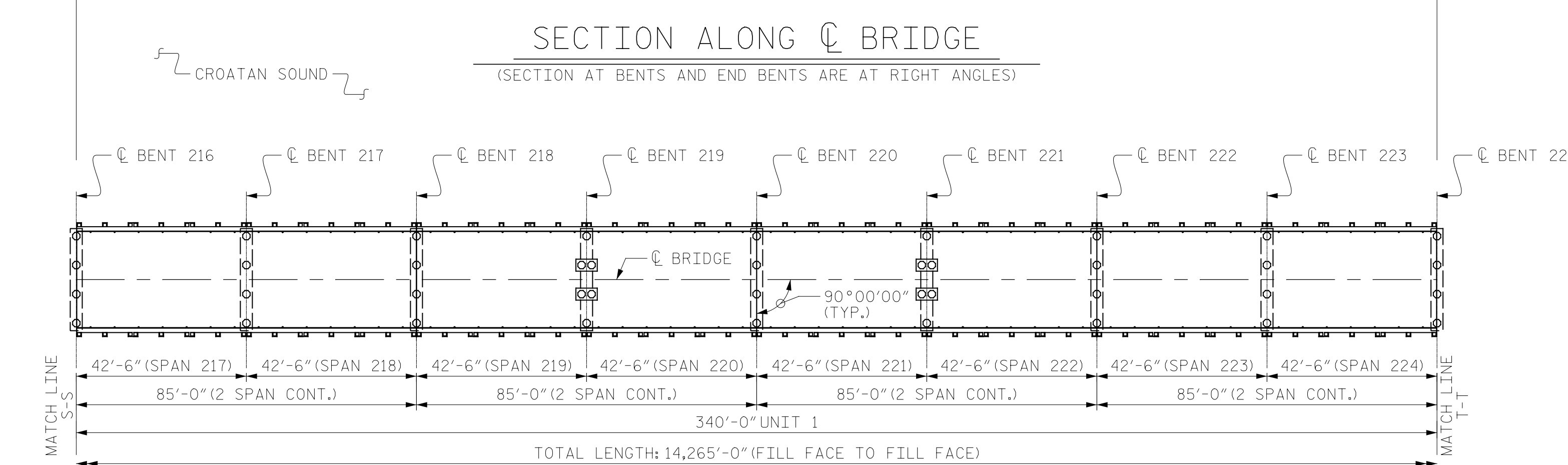
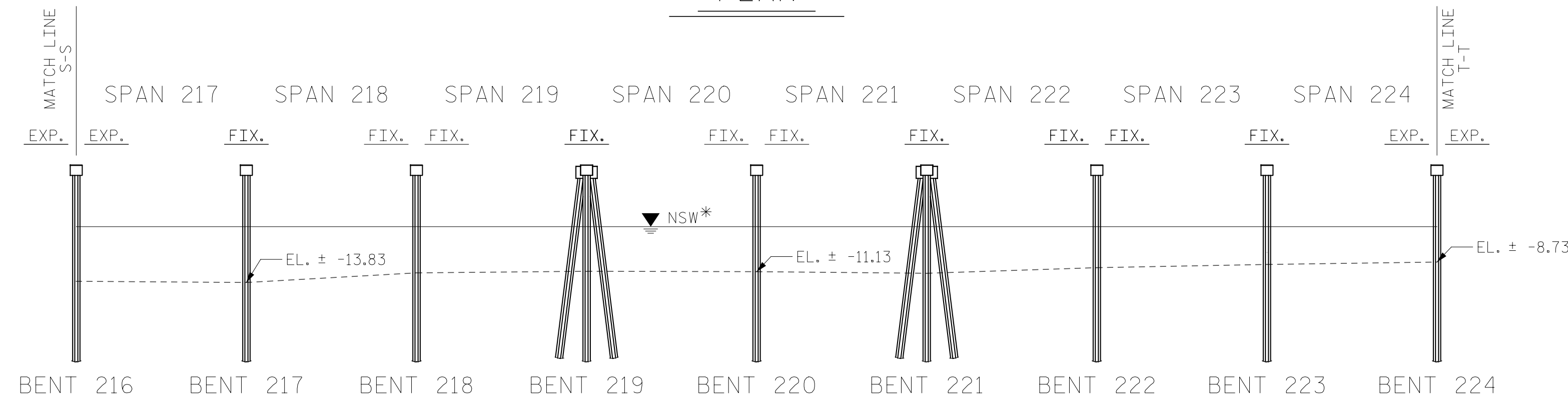
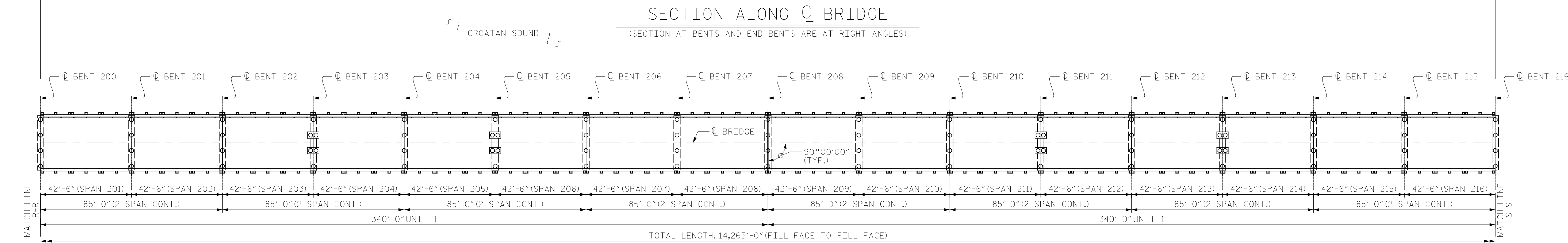
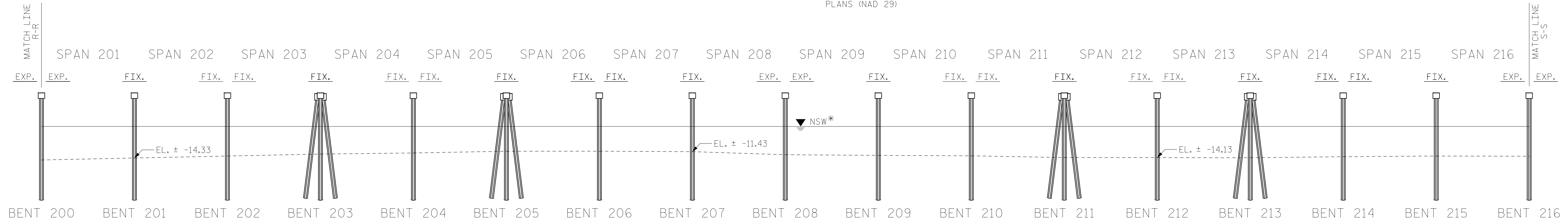
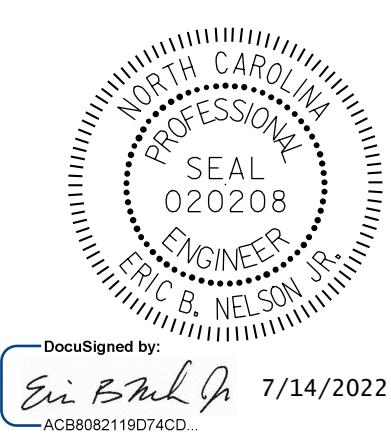


EL. 0.4'
 * FROM ORIGINAL
 PLANS (NAD 29)



PROJECT NO. HB-0017
DARE COUNTY
 BRIDGE NO. 270009

SHEET 10 OF 15



STATE OF NORTH CAROLINA
 DEPARTMENT OF TRANSPORTATION
 RALEIGH

GENERAL DRAWING
 BRIDGE #270009 ON US 64
 OVER CROATAN SOUND

DRAWN BY : T.HARTLEY DATE : 2/2019
 CHECKED BY : R.WERTMAN DATE : 3/2019



DOCUMENT NOT CONSIDERED
 FINAL UNLESS ALL
 SIGNATURES COMPLETED

| REVISIONS | | | | | | SHEET NO. |
|-----------|-----|-------|-----|-----|-------|--------------|
| NO. | BY: | DATE: | NO. | BY: | DATE: | S-10 |
| 1 | | | 3 | | | TOTAL SHEETS |
| 2 | | | 4 | | | 355 |