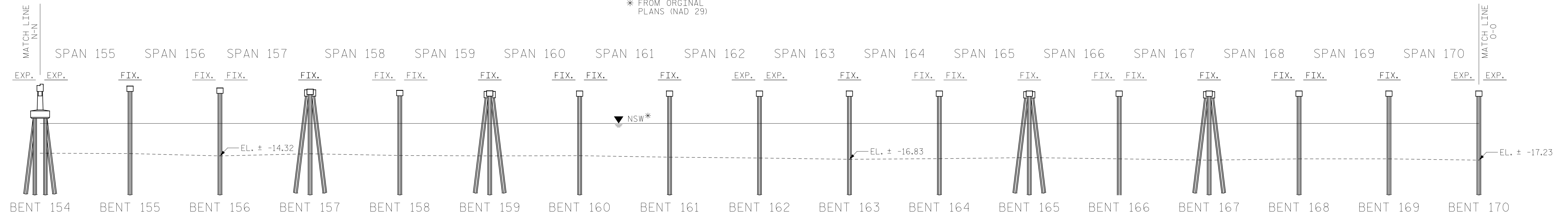
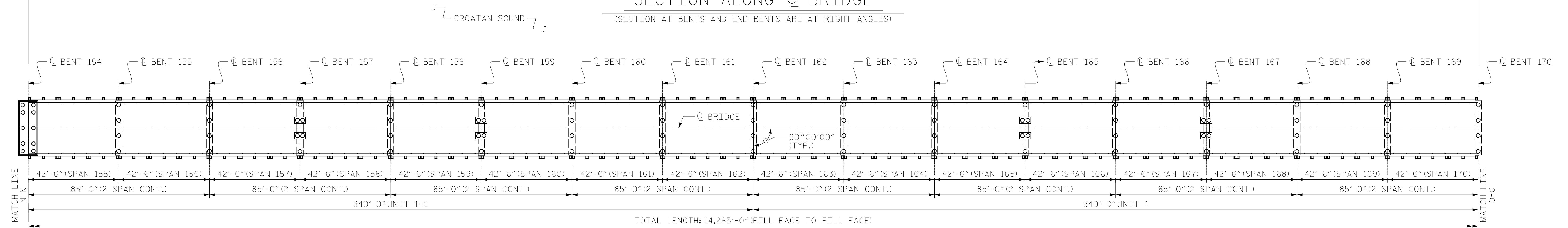


EL. 0.4'
* FROM ORIGINAL
PLANS (NAD 29)

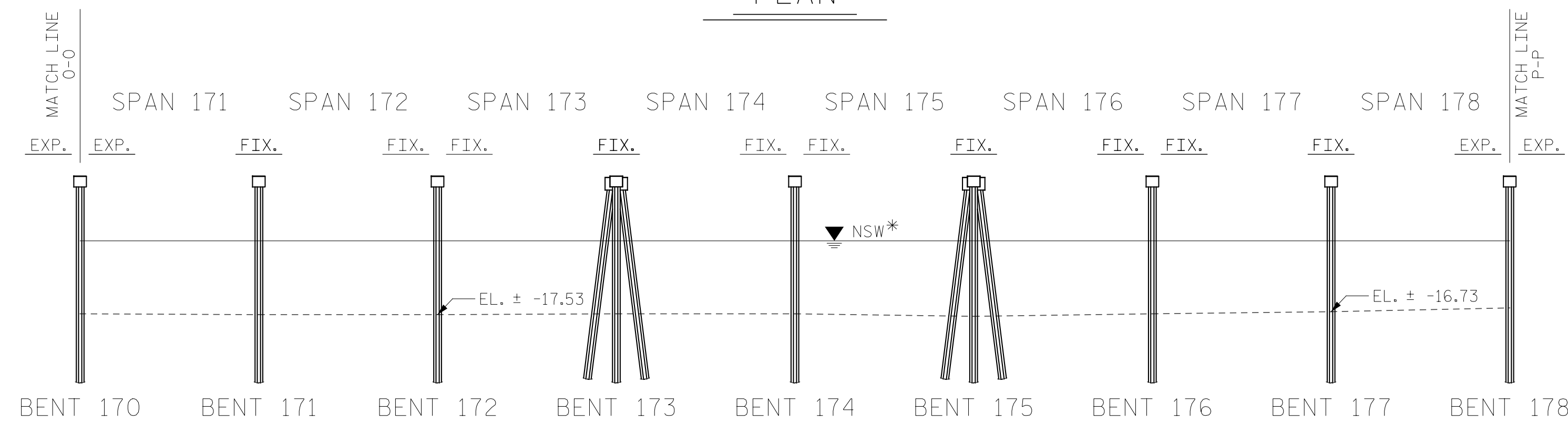


SECTION ALONG CL BRIDGE

(SECTION AT BENTS AND END BENTS ARE AT RIGHT ANGLES)

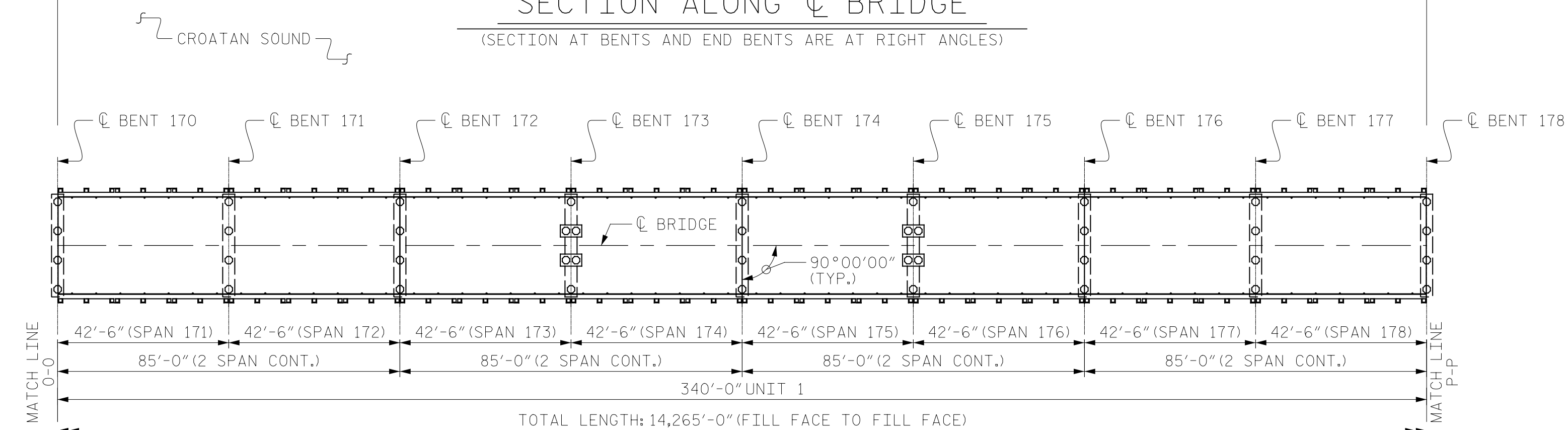


PLAN

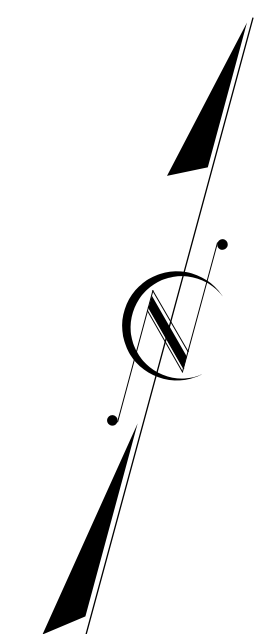


SECTION ALONG CL BRIDGE

(SECTION AT BENTS AND END BENTS ARE AT RIGHT ANGLES)



PLAN



PROJECT NO. HB-0017
DARE COUNTY
 BRIDGE NO. 270009

SHEET 8 OF 15

STATE OF NORTH CAROLINA
 DEPARTMENT OF TRANSPORTATION
 RALEIGH

GENERAL DRAWING
 BRIDGE #270009 ON US 64
 OVER CROATAN SOUND



DocuSigned by
 Eric B. Nelson, Jr.
 7/14/2022



DOCUMENT NOT CONSIDERED
 FINAL UNLESS ALL
 SIGNATURES COMPLETED

REVISIONS						SHEET NO.
NO.	BY:	DATE:	NO.	BY:	DATE:	S-8
1			3			TOTAL SHEETS
2			4			355

DRAWN BY : T.HARTLEY DATE : 2/2019
 CHECKED BY : R.WERTMAN DATE : 3/2019