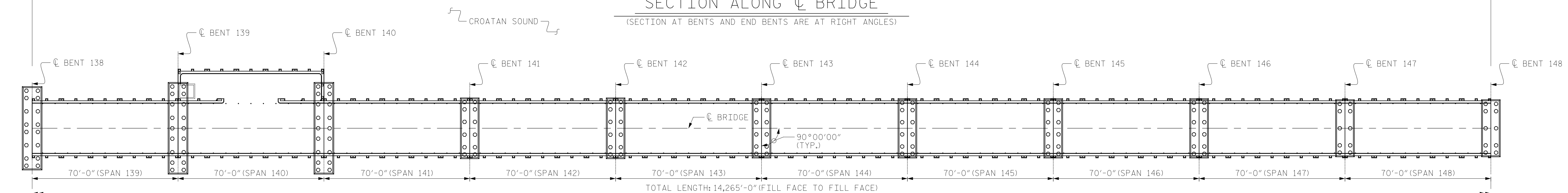
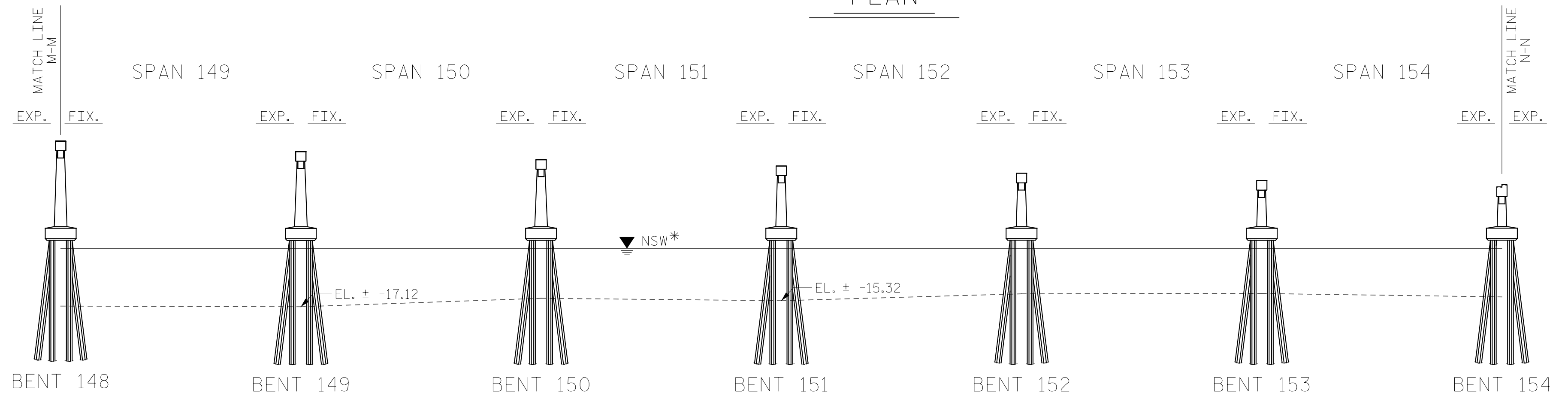


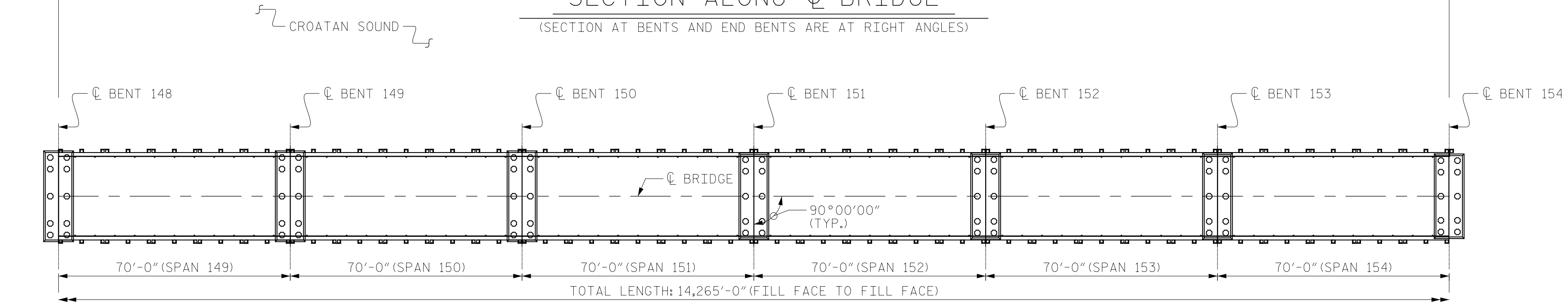
SECTION ALONG C BRIDGE
 (SECTION AT BENTS AND END BENTS ARE AT RIGHT ANGLES)



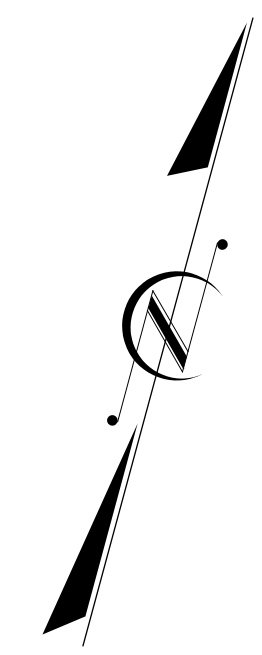
PLAN



SECTION ALONG C BRIDGE
 (SECTION AT BENTS AND END BENTS ARE AT RIGHT ANGLES)



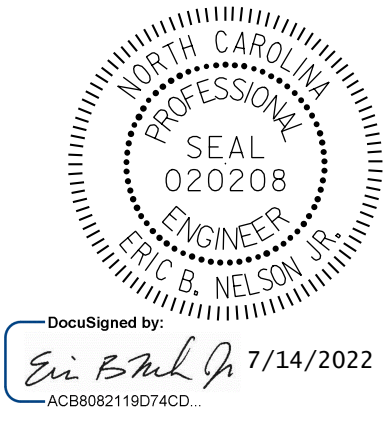
PLAN



PROJECT NO. HB-0017
DARE COUNTY
 BRIDGE NO. 270009

SHEET 7 OF 15

STATE OF NORTH CAROLINA
 DEPARTMENT OF TRANSPORTATION
 RALEIGH
 GENERAL DRAWING
 BRIDGE #270009 ON US 64
 OVER CROATAN SOUND



DRAWN BY : T.HARTLEY DATE : 2/2019
 CHECKED BY : R.WERTMAN DATE : 3/2019



DOCUMENT NOT CONSIDERED
 FINAL UNLESS ALL
 SIGNATURES COMPLETED

REVISIONS						SHEET NO.
NO.	BY:	DATE:	NO.	BY:	DATE:	S-7
1			3			TOTAL SHEETS
2			4			355