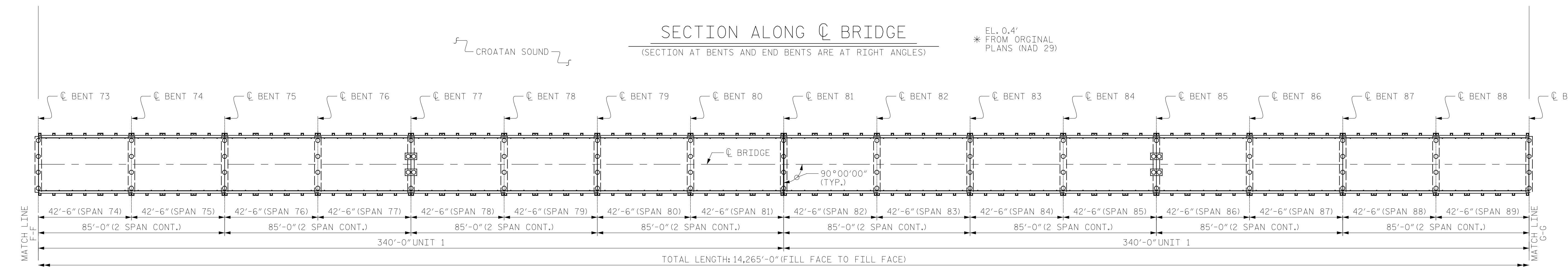


SECTION ALONG CL BRIDGE

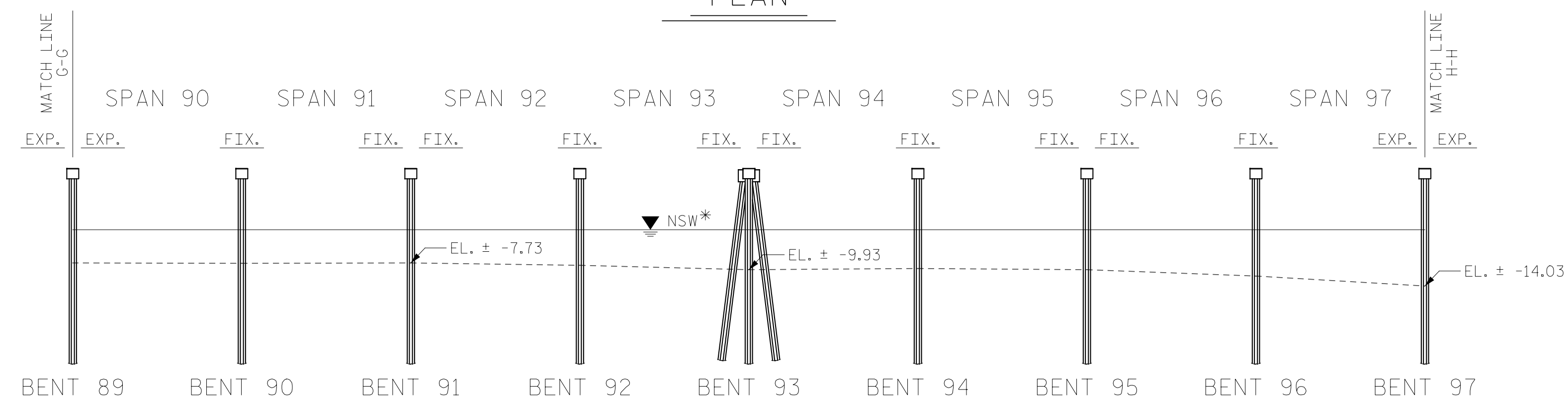
(SECTION AT BENTS AND END BENTS ARE AT RIGHT ANGLES)

EL. 0.4'  
\* FROM ORIGINAL  
PLANS (NAD 29)



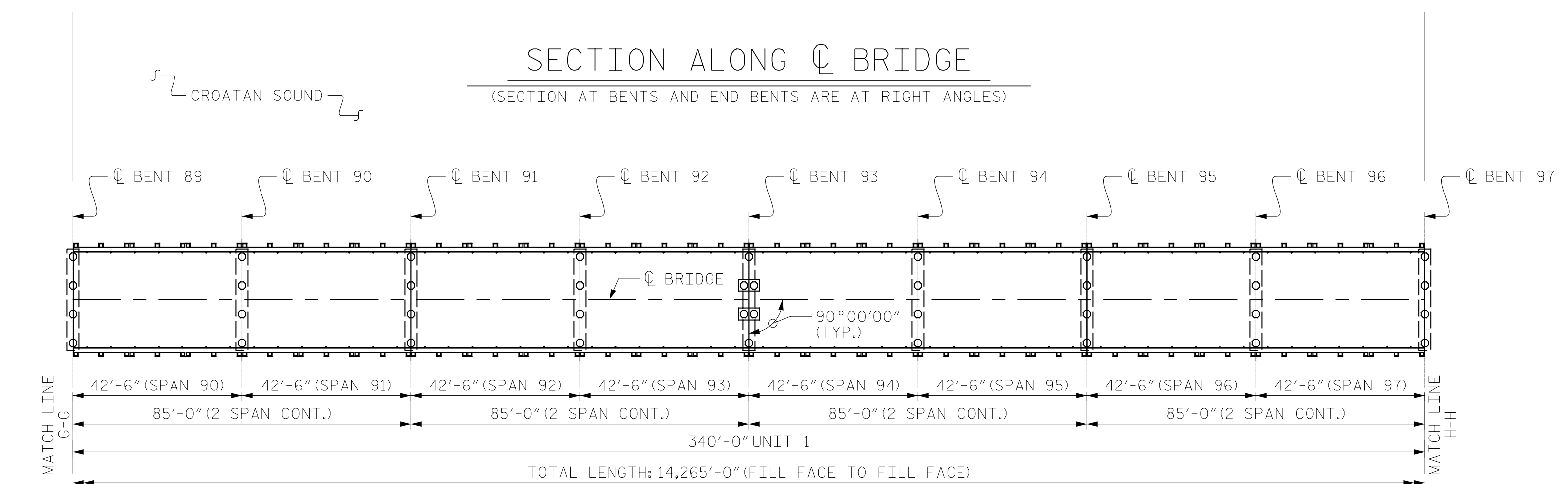
PLAN

TOTAL LENGTH: 14,265'-0" (FILL FACE TO FILL FACE)



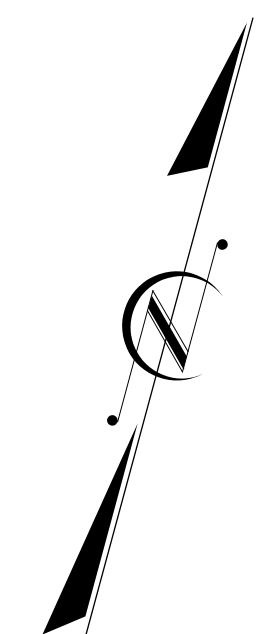
SECTION ALONG CL BRIDGE

(SECTION AT BENTS AND END BENTS ARE AT RIGHT ANGLES)



PLAN

TOTAL LENGTH: 14,265'-0" (FILL FACE TO FILL FACE)

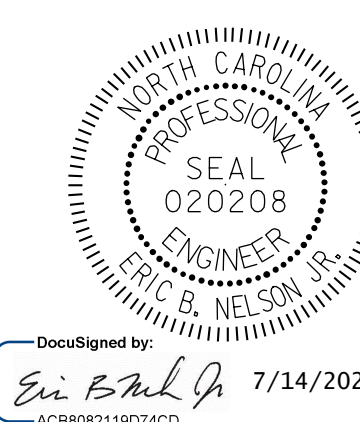


PROJECT NO. HB-0017  
DARE COUNTY  
 BRIDGE NO. 270009

SHEET 5 OF 15

STATE OF NORTH CAROLINA  
 DEPARTMENT OF TRANSPORTATION  
 RALEIGH

GENERAL DRAWING  
 BRIDGE #270009 ON US 64  
 OVER CROATAN SOUND



DocuSigned by:  
 Eric B. Nelson, Jr.  
 7/14/2022



DOCUMENT NOT CONSIDERED  
 FINAL UNLESS ALL  
 SIGNATURES COMPLETED

REVISIONS						SHEET NO.
NO.	BY:	DATE:	NO.	BY:	DATE:	S-4
1			3			TOTAL SHEETS
2			4			355

DRAWN BY : T.HARTLEY DATE : 2/2019  
 CHECKED BY : R.WERTMAN DATE : 3/2019