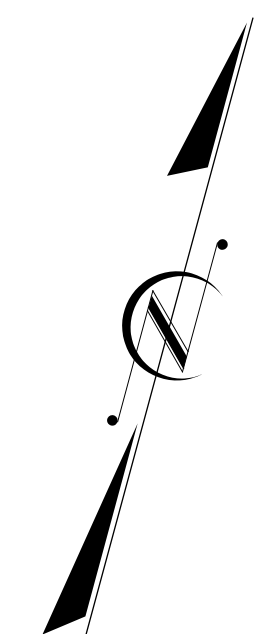
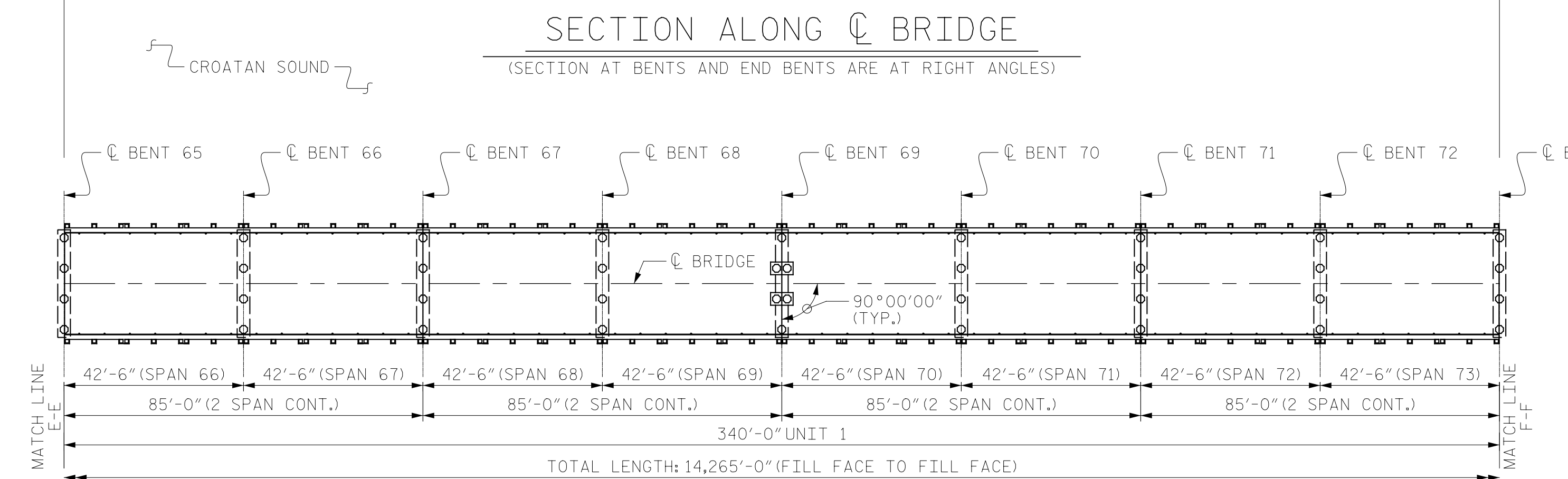
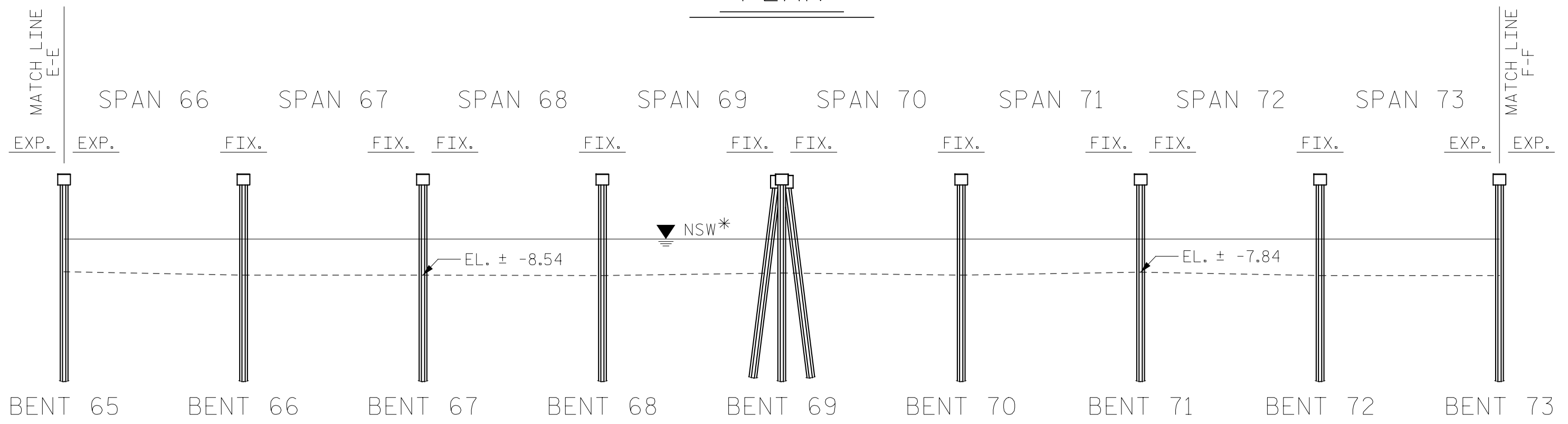
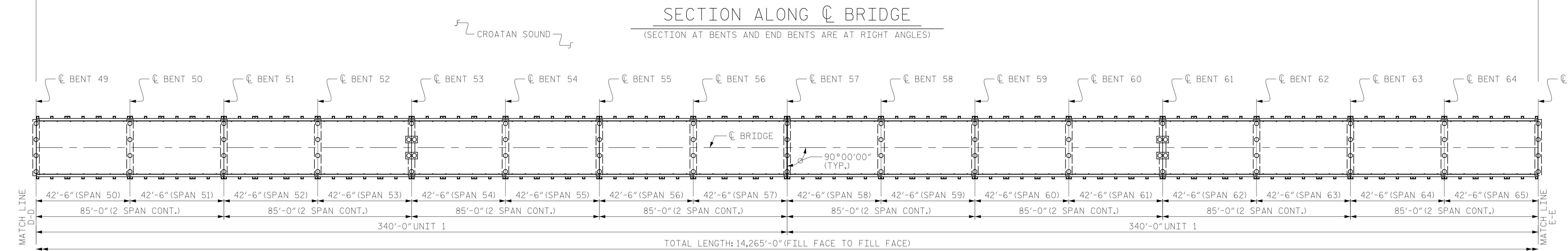
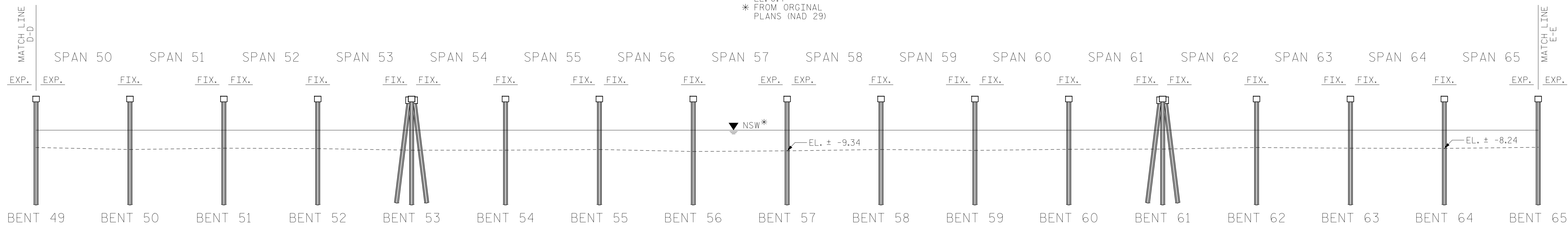
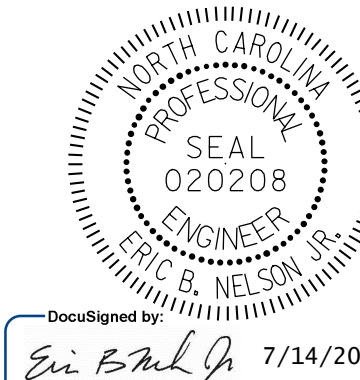


EL. 0.4'  
\* FROM ORIGINAL  
PLANS (MAD 29)



PROJECT NO. HB-0017  
DARE COUNTY  
BRIDGE NO. 270009

SHEET 3 OF 15



STATE OF NORTH CAROLINA  
DEPARTMENT OF TRANSPORTATION  
RALEIGH

GENERAL DRAWING  
BRIDGE #270009 ON US 64  
OVER CROATAN SOUND

DRAWN BY : T.HARTLEY DATE : 2/2019  
CHECKED BY : R.WERTMAN DATE : 3/2019



DOCUMENT NOT CONSIDERED  
FINAL UNLESS ALL  
SIGNATURES COMPLETED

REVISIONS						SHEET NO.
NO.	BY:	DATE:	NO.	BY:	DATE:	S-3
1			3			TOTAL SHEETS
2			4			355