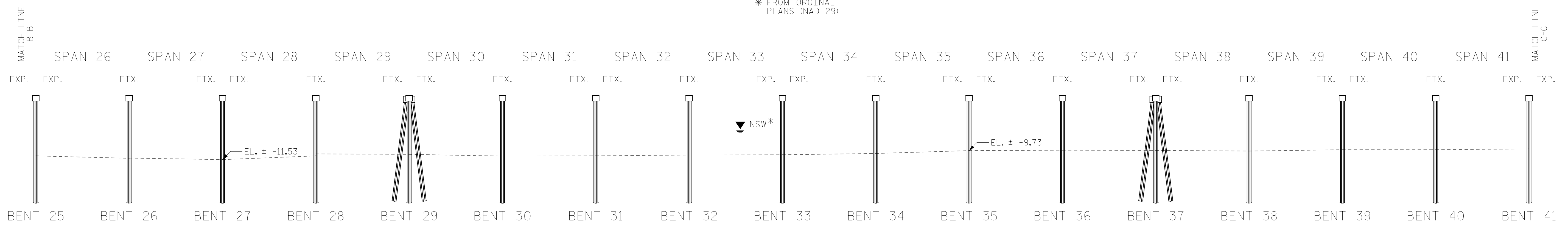
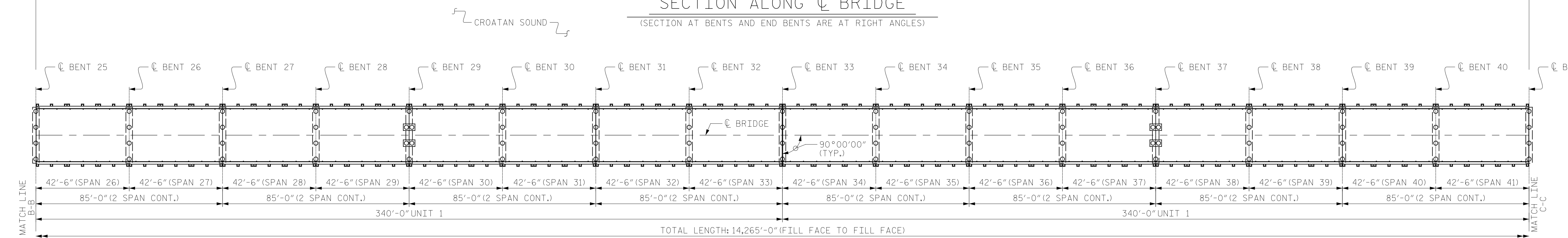


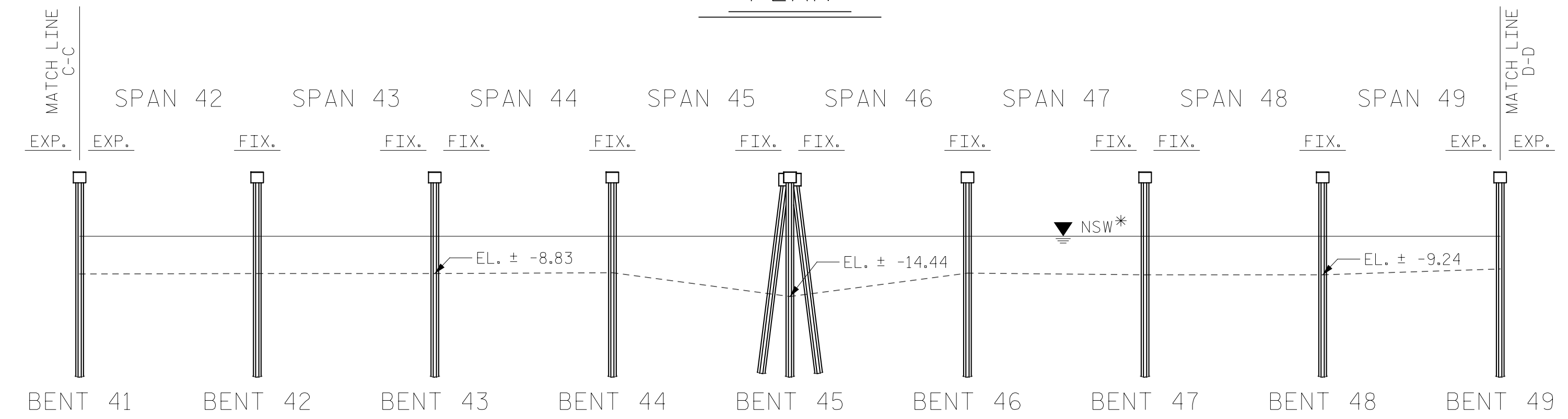
EL. 0.4'
* FROM ORIGINAL
PLANS (NAD 29)



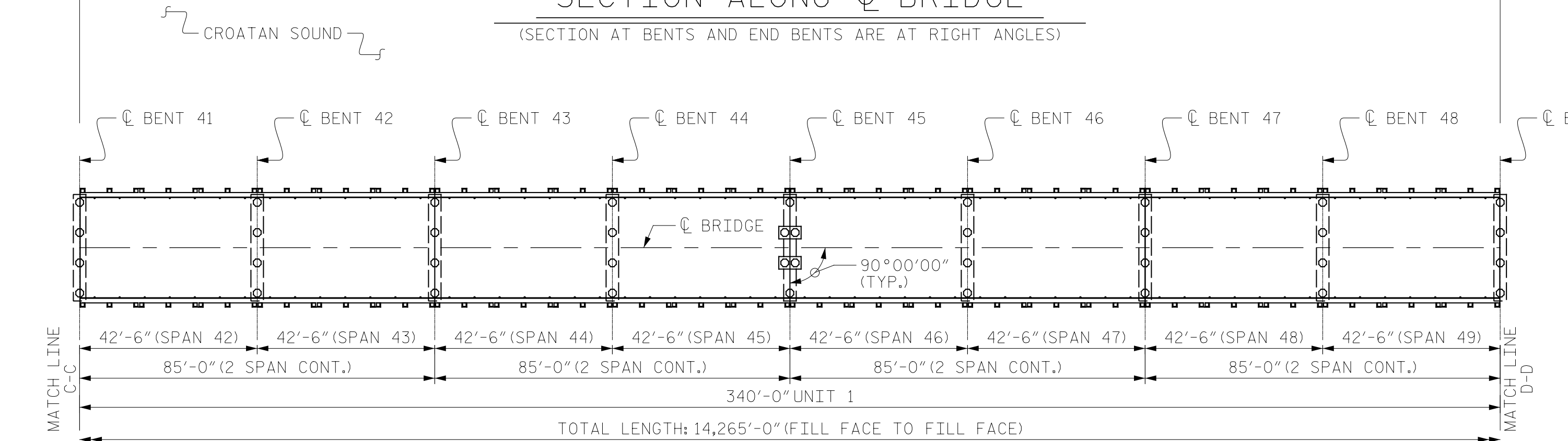
SECTION ALONG C BRIDGE
(SECTION AT BENTS AND END BENTS ARE AT RIGHT ANGLES)



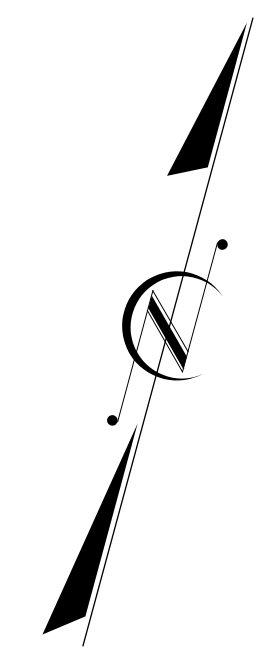
PLAN



SECTION ALONG C BRIDGE
(SECTION AT BENTS AND END BENTS ARE AT RIGHT ANGLES)



PLAN

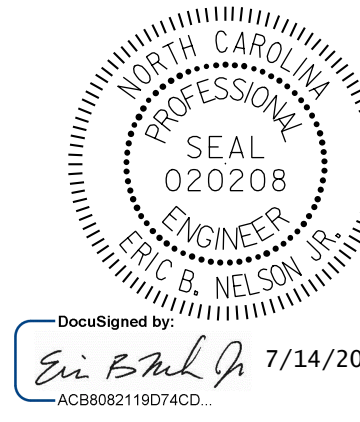


PROJECT NO. HB-0017
DARE COUNTY
BRIDGE NO. 270009

SHEET 2 OF 15

STATE OF NORTH CAROLINA
DEPARTMENT OF TRANSPORTATION
RALEIGH

GENERAL DRAWING
BRIDGE #270009 ON US 64
OVER CROATAN SOUND



REVISIONS						SHEET NO.
NO.	BY:	DATE:	NO.	BY:	DATE:	S-2
1			3			TOTAL SHEETS
2			4			355

DRAWN BY : T.HARTLEY DATE : 2/2019
CHECKED BY : R.WERTMAN DATE : 3/2019



DOCUMENT NOT CONSIDERED
FINAL UNLESS ALL
SIGNATURES COMPLETED