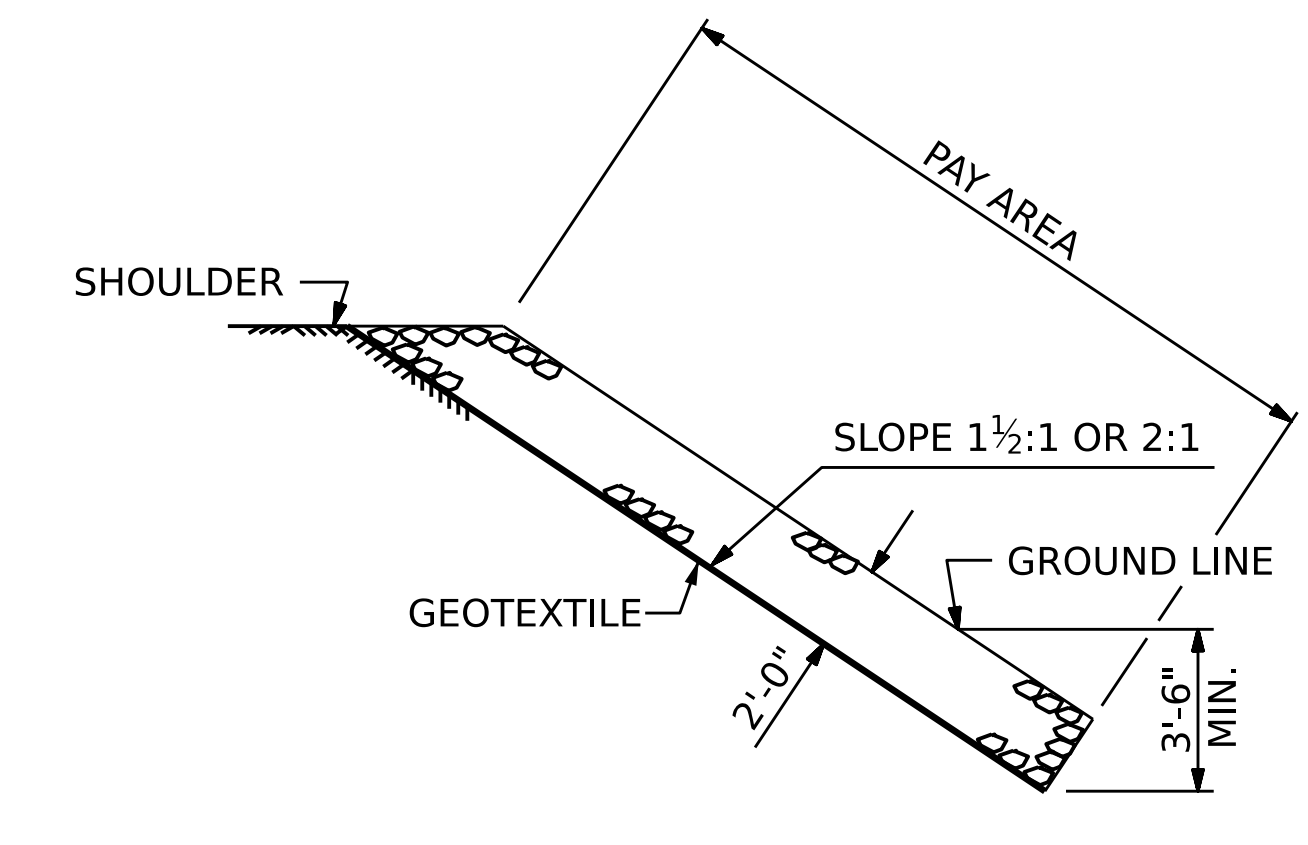
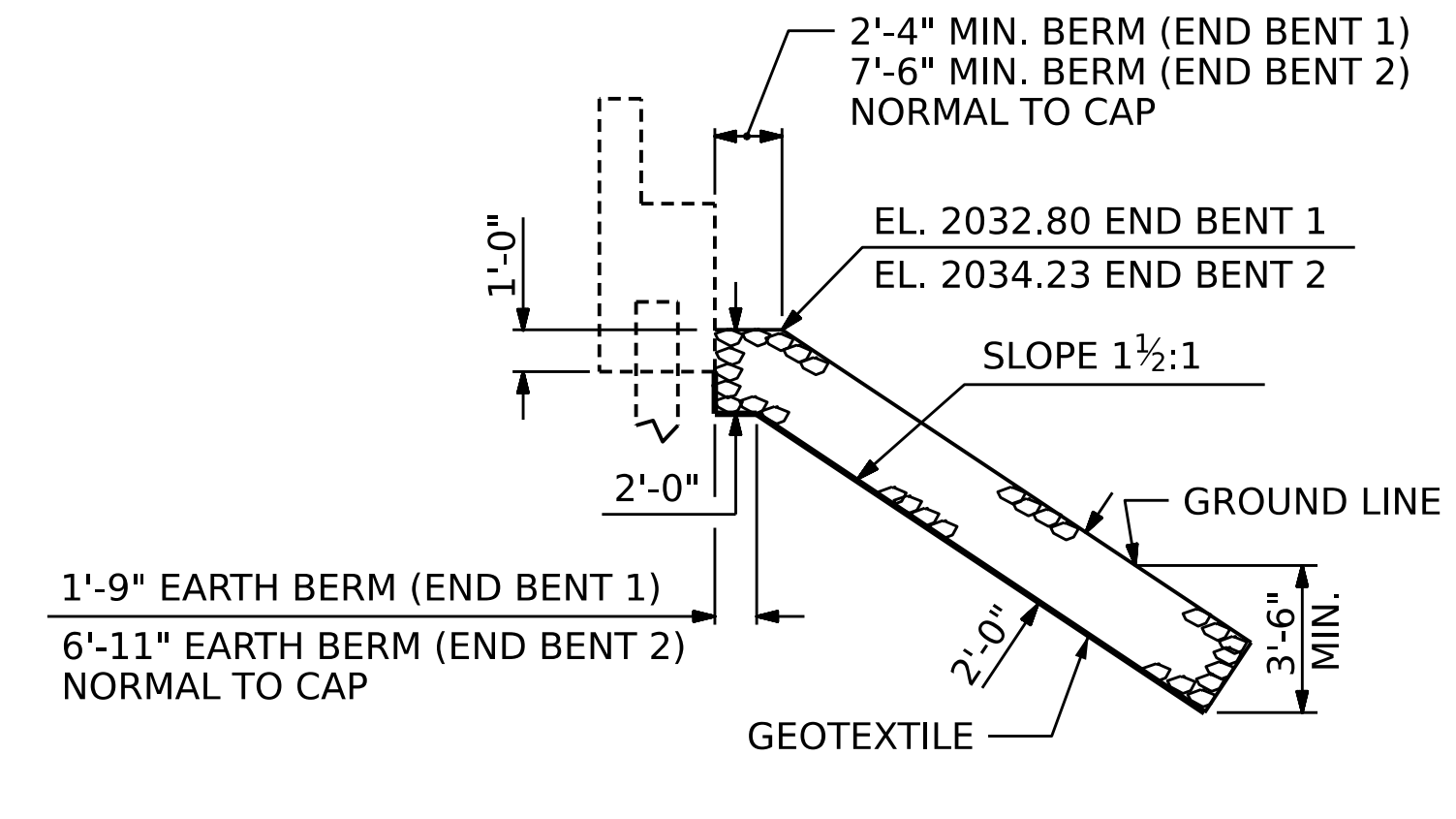
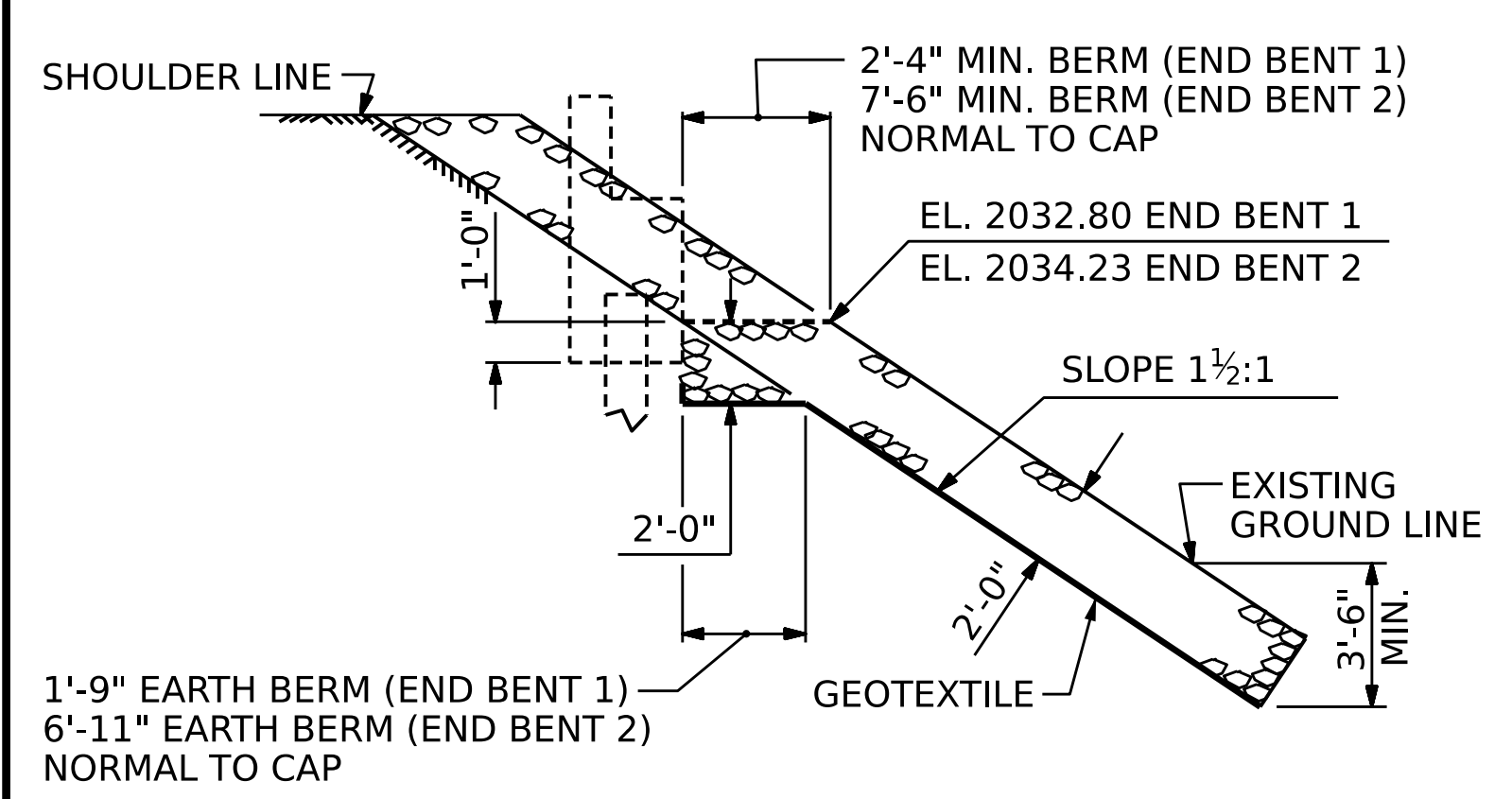
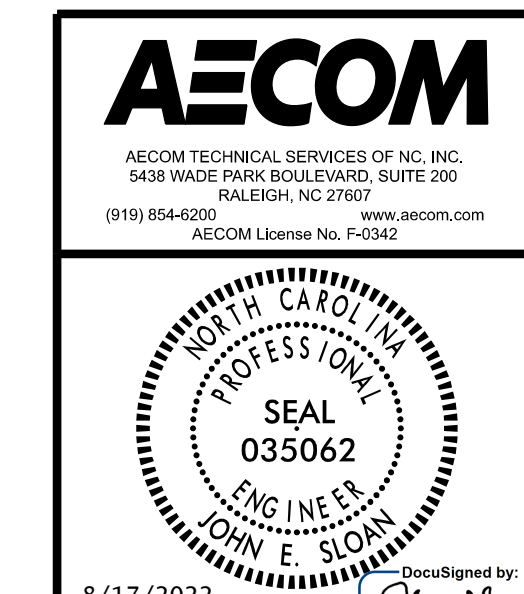


BRIDGE @ STA. 315+72.39 -L-	RIP RAP CLASS II (2'-0" THICK)	GEOTEXTILE FOR DRAINAGE
	TONS	SQUARE YARDS
END BENT 1 - STAGE I	256	284
END BENT 1 - STAGE II	77	86
END BENT 1 - STAGE III	457	508
END BENT 2 - STAGE I	585	650
END BENT 2 - STAGE II	131	145
END BENT 2 - STAGE III	464	516



PROJECT NO. B-4442
BUNCOMBE COUNTY
 STATION: 315+72.39 -L-



STATE OF NORTH CAROLINA
 DEPARTMENT OF TRANSPORTATION
 RALEIGH

STANDARD RIP RAP DETAILS

REVISIONS						SHEET NO. S-52 TOTAL SHEETS 58
NO.	BY:	DATE:	NO.	BY:	DATE:	
1			3			
2			4			

DRAWN BY: D.R. DRUM DATE: 04/2022
 CHECKED BY: J.C. MORRISON DATE: 05/2022
 DESIGN ENGINEER OF RECORD: J.E. SLOAN DATE: 05/2022

DOCUMENT NOT CONSIDERED FINAL UNLESS ALL SIGNATURES COMPLETED