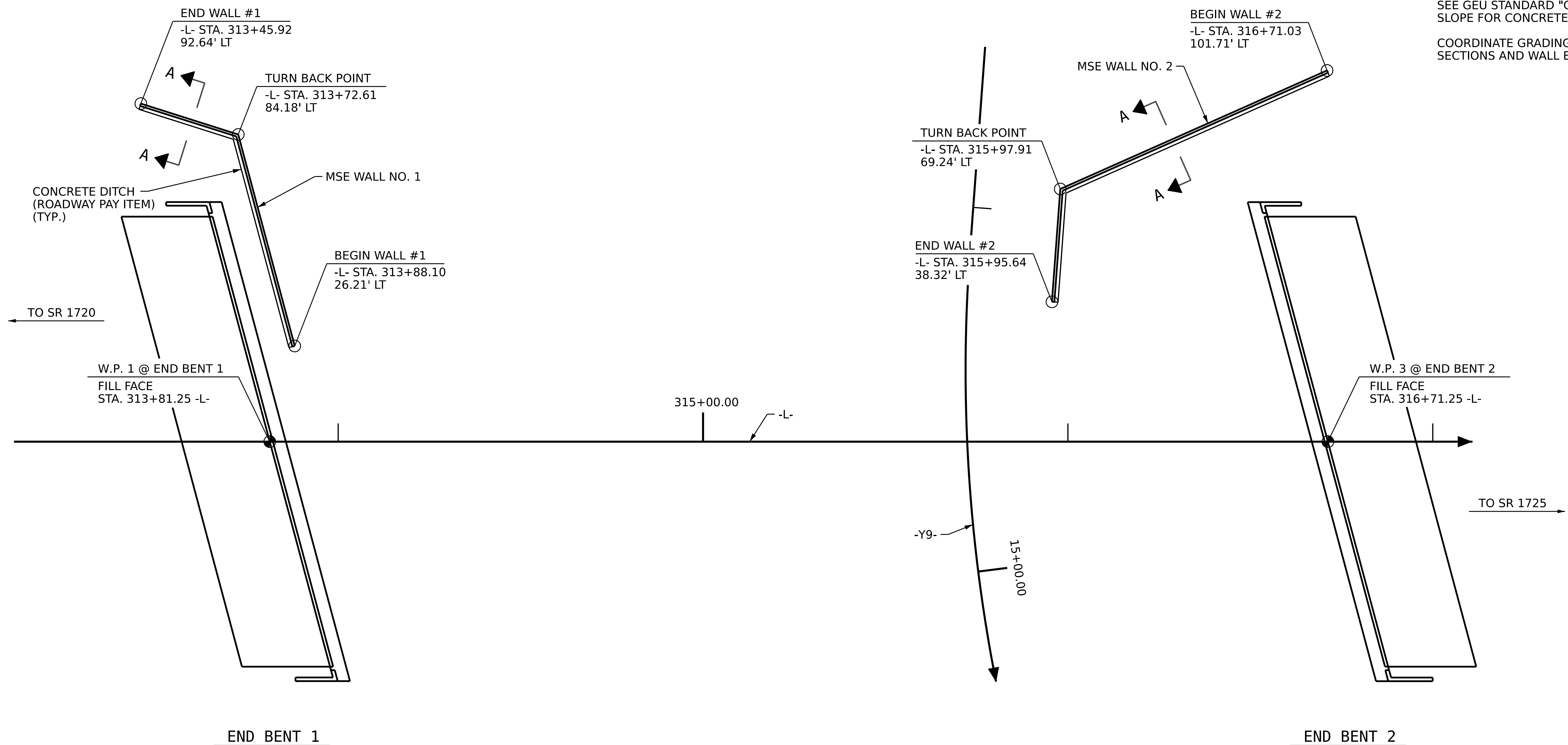


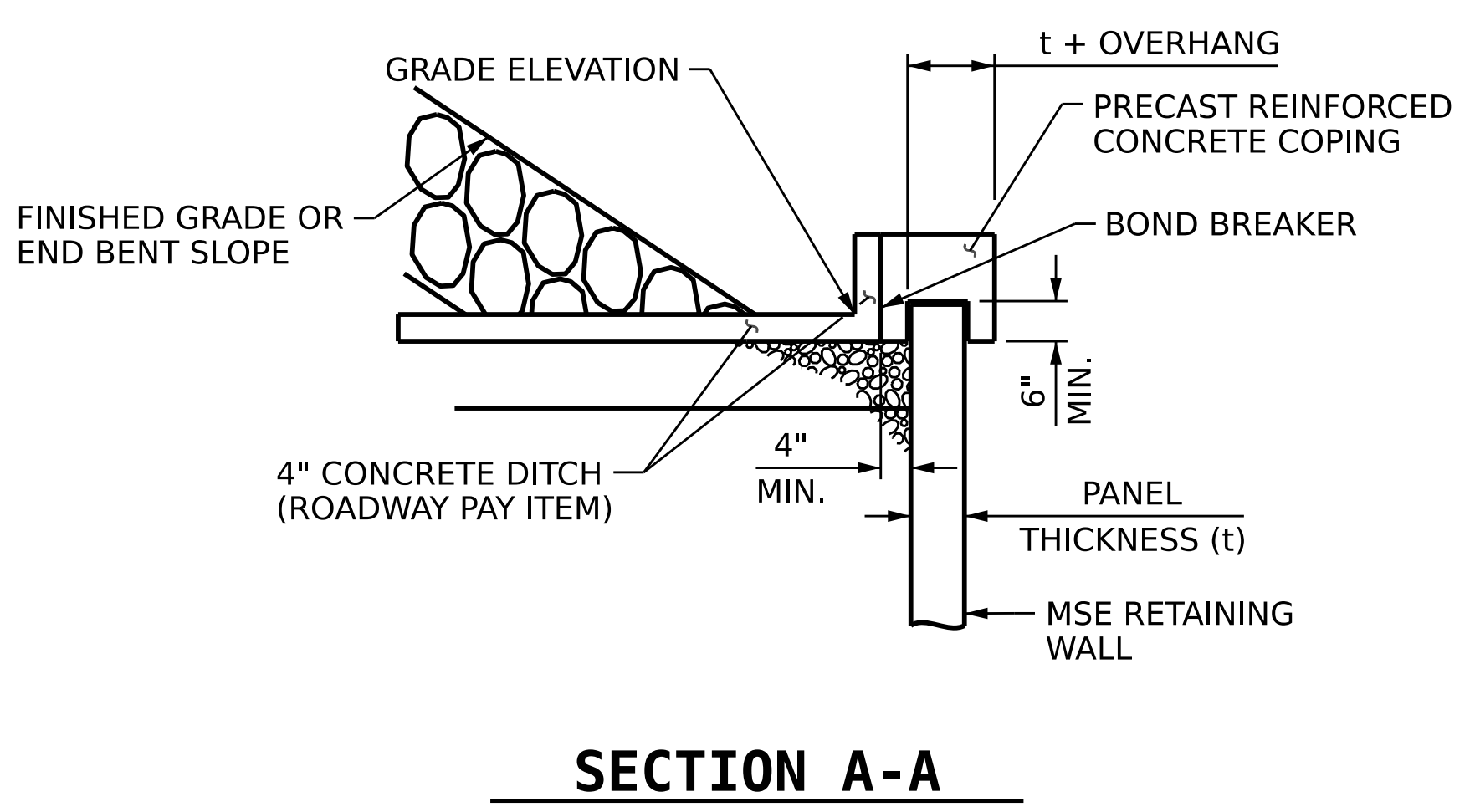
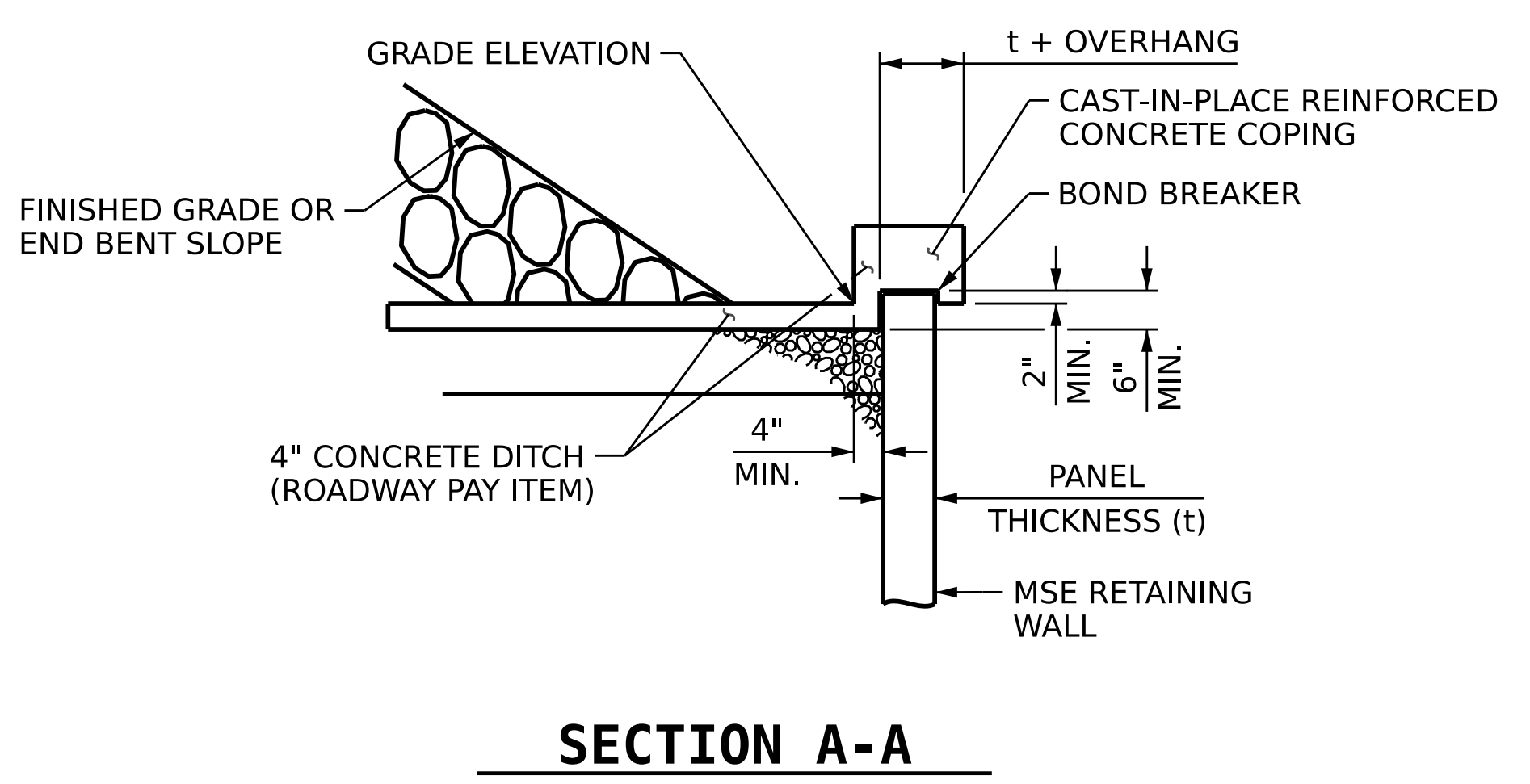
NOTES:

FOR CONCRETE DITCH BEHIND MSE WALL WITH PRECAST PANELS, SEE GEU STANDARD "CONCRETE DITCH BEHIND WALL WITH BACK SLOPE FOR CONCRETE FACING AND COPING."

COORDINATE GRADING REQUIREMENTS WITH ROADWAY CROSS SECTIONS AND WALL ENVELOPES.



PLAN



PROJECT NO. B-4442
BUNCOMBE COUNTY
 STATION: 315+72.39 -L-

AECOM
AECOM TECHNICAL SERVICES OF NC, INC.
 5430 WADE PARK BOULEVARD, SUITE 200
 RALEIGH, NC 27607
 (919) 854-6200 www.aecom.com
 AECOM License No. F0242

DocuSigned by:

 JOHN E. SLOAN
 8/17/2022

STATE OF NORTH CAROLINA DEPARTMENT OF TRANSPORTATION RALEIGH						SHEET NO.
CONCRETE DITCH AT MSE WALLS						S-51
REVISIONS						TOTAL SHEETS
NO.	BY:	DATE:	NO.	BY:	DATE:	58
1			3			
2			4			

DRAWN BY: D.R. DRUM DATE: 04/2022
 CHECKED BY: J.C. MORRISON DATE: 05/2022
 DESIGN ENGINEER OF RECORD: J.E. SLOAN DATE: 05/2022

DOCUMENT NOT CONSIDERED
 FINAL UNLESS ALL
 SIGNATURES COMPLETED