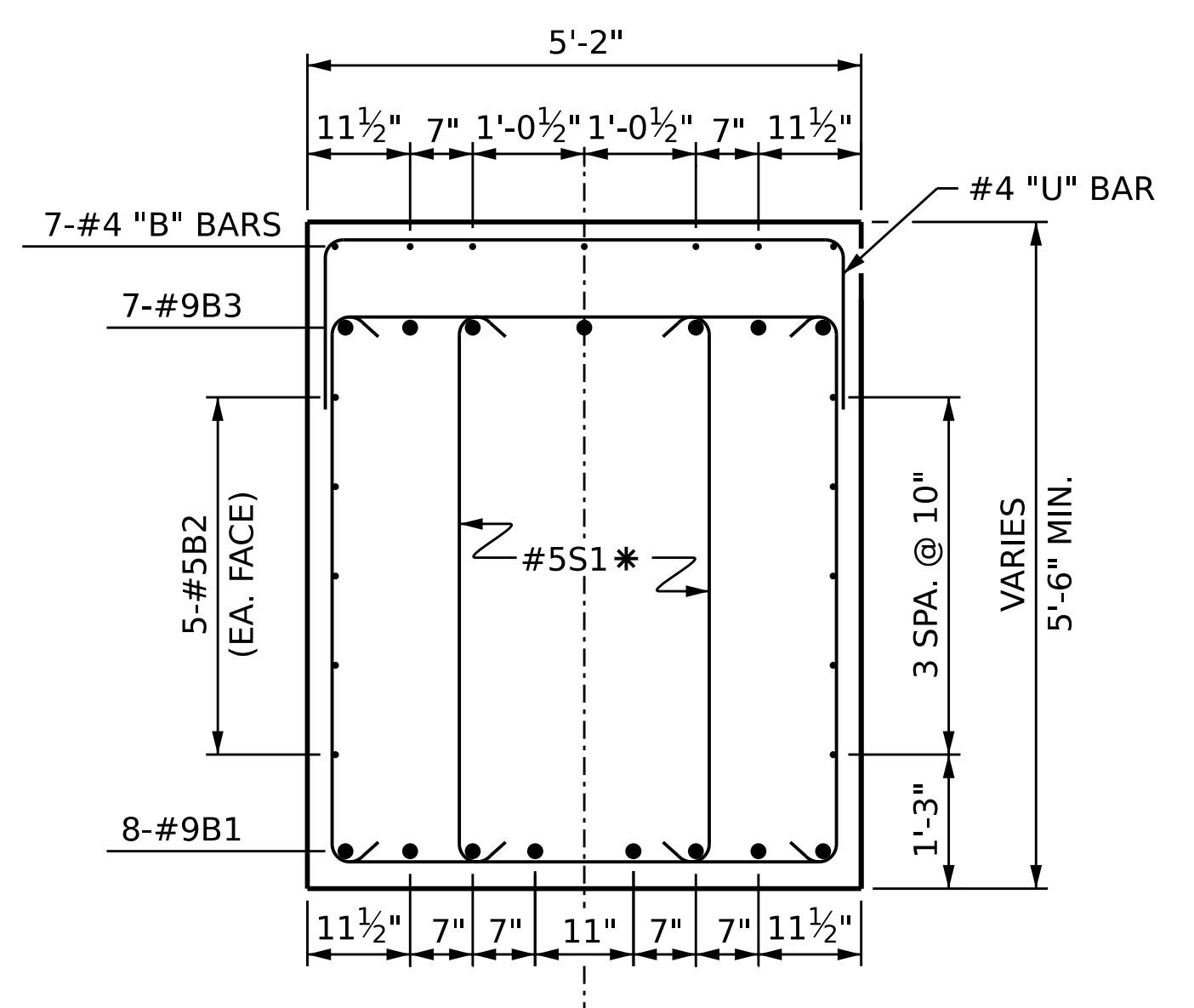
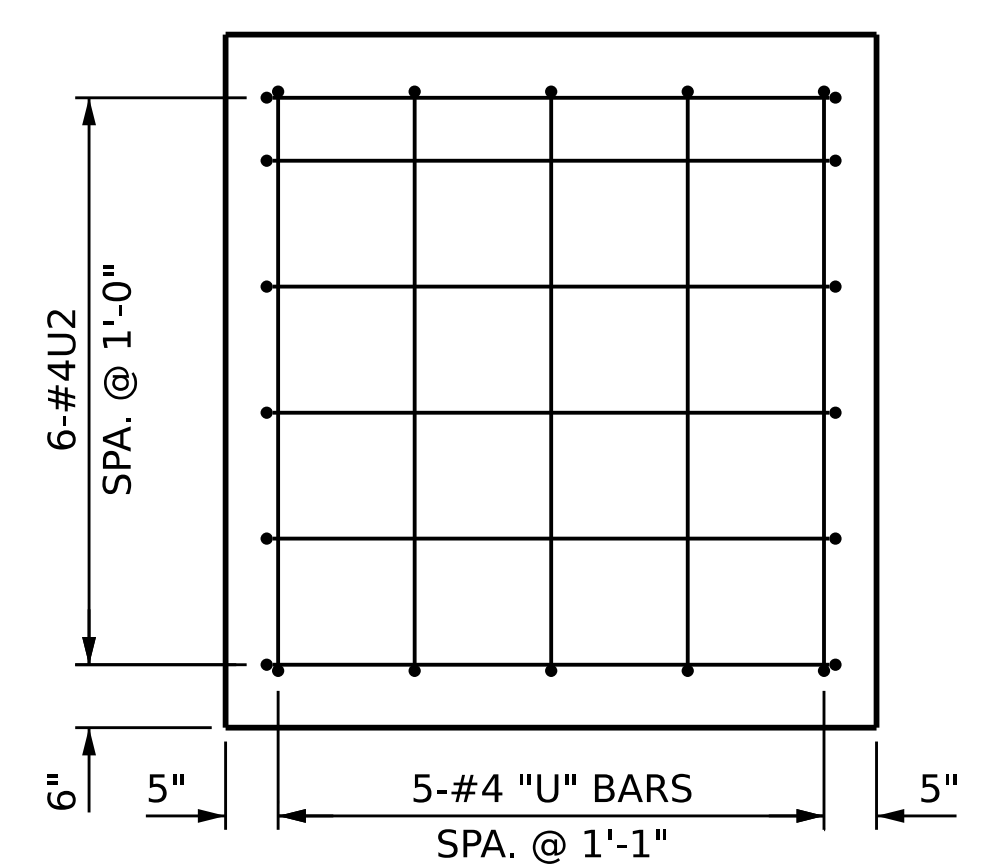


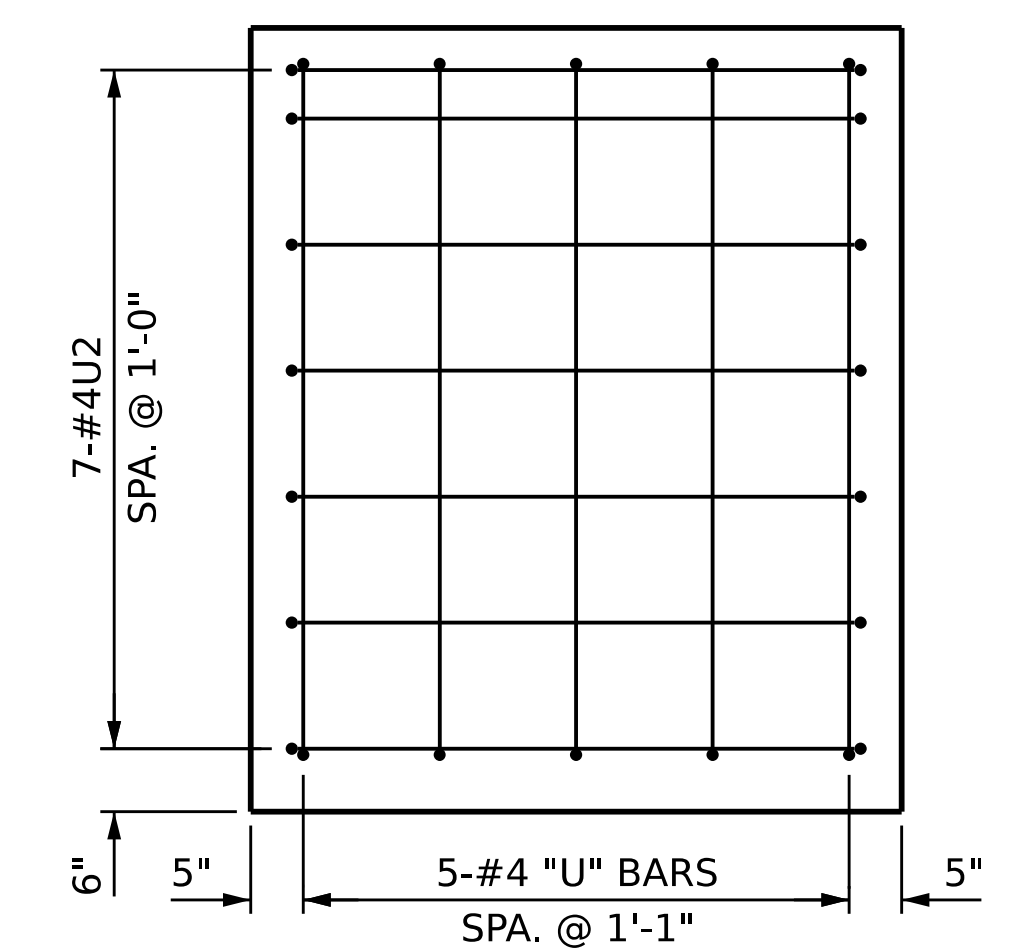
SECTION A-A



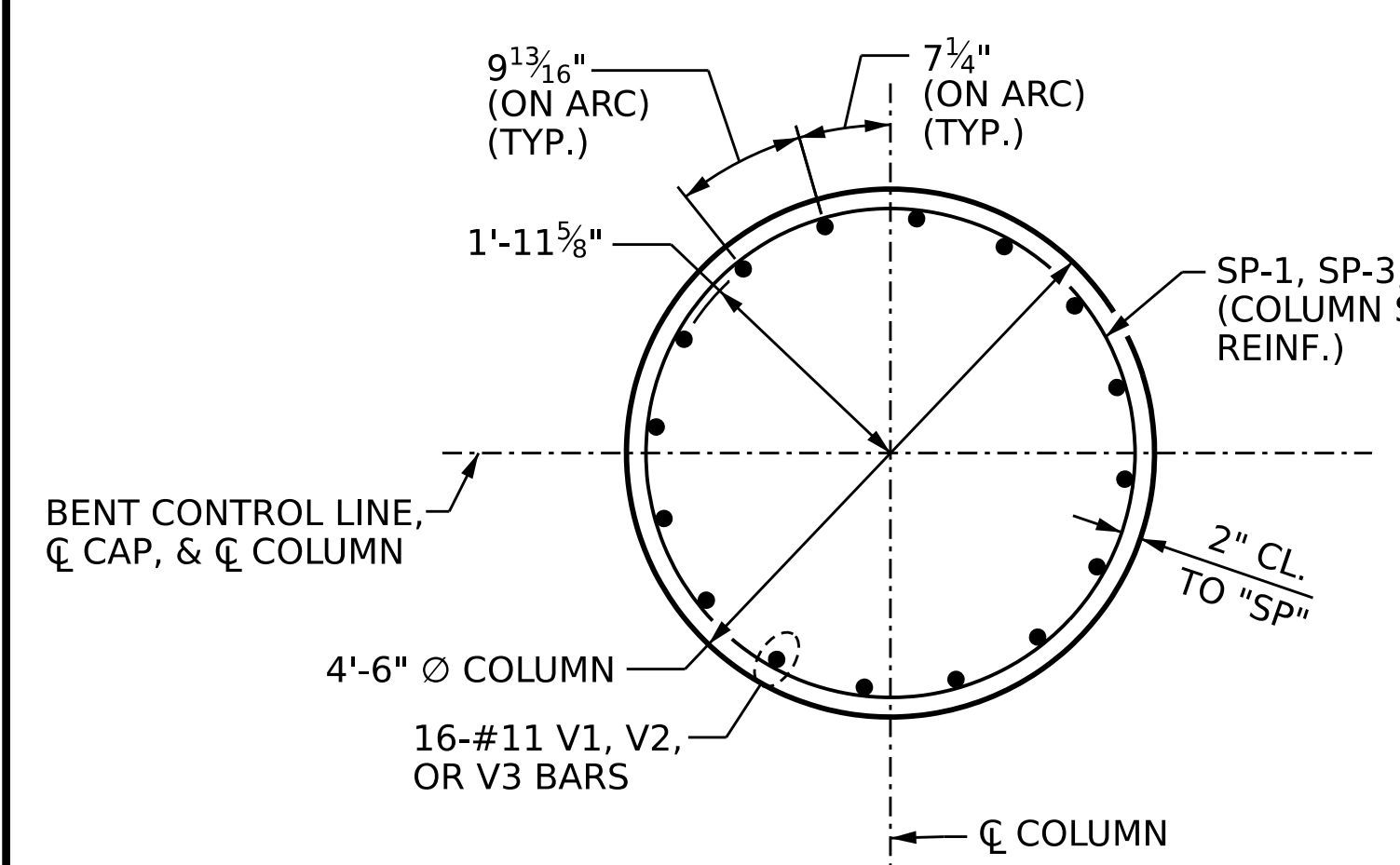
SECTION B-B



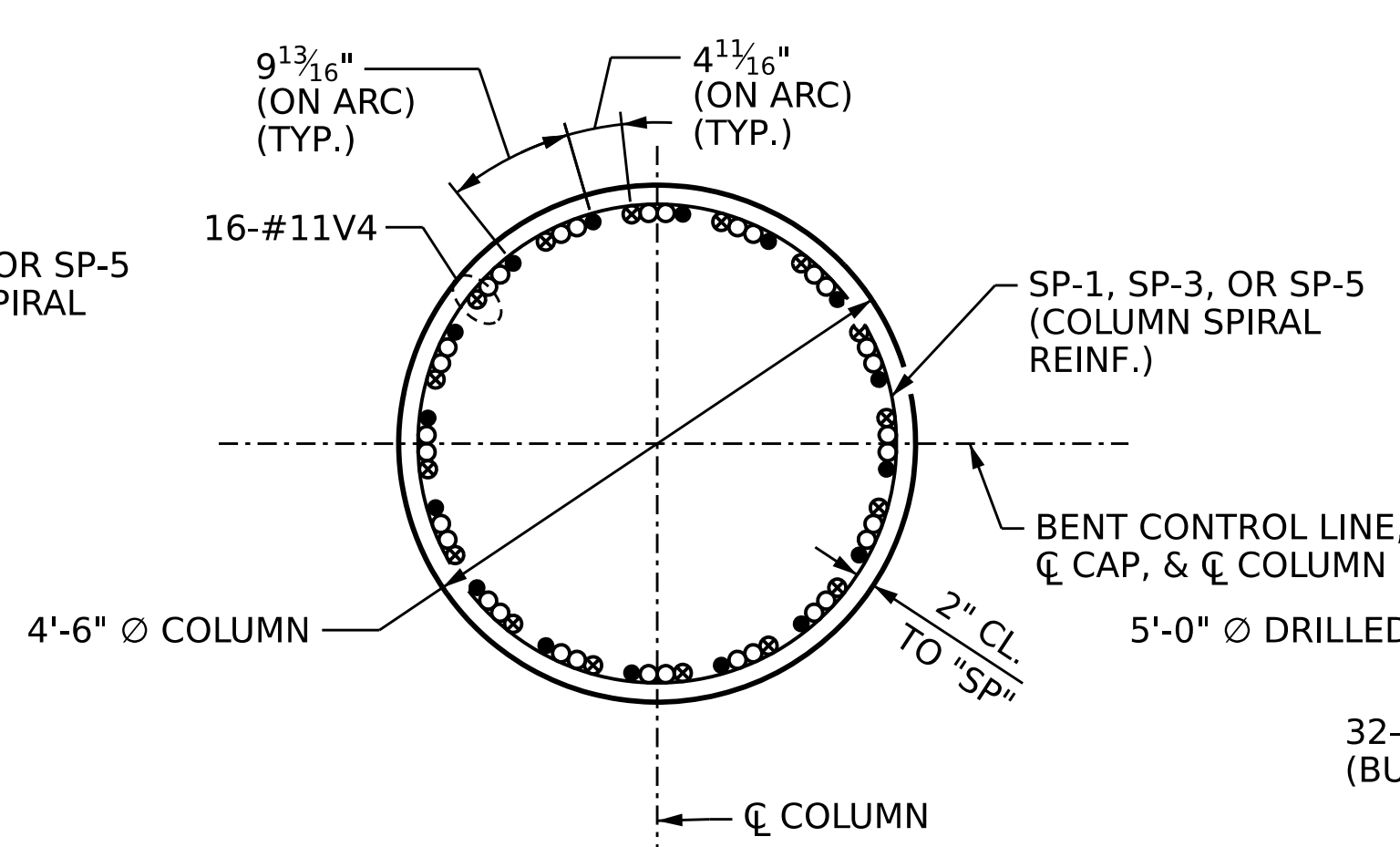
VIEW X-X



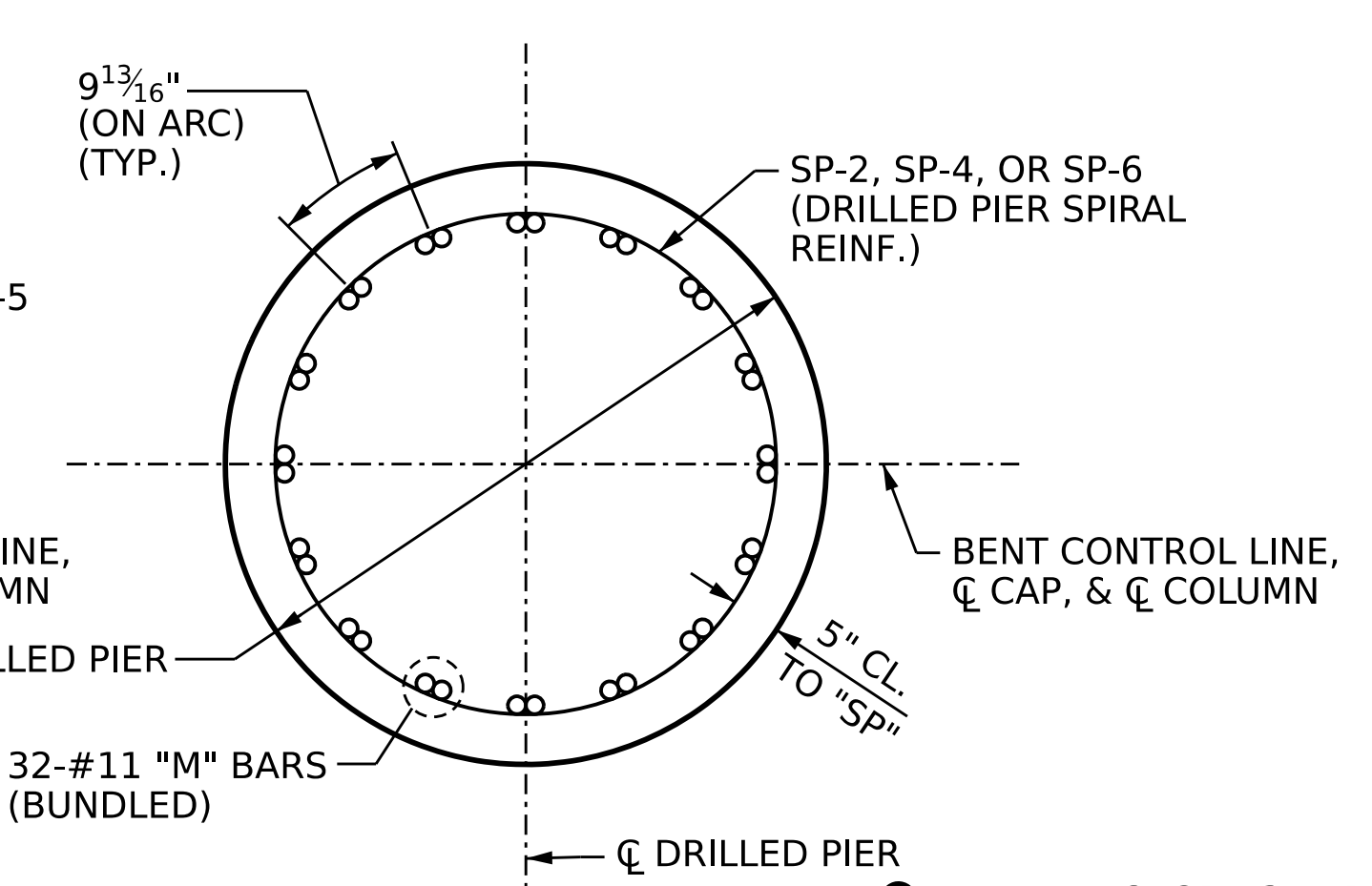
VIEW Y-Y



SECTION C-C

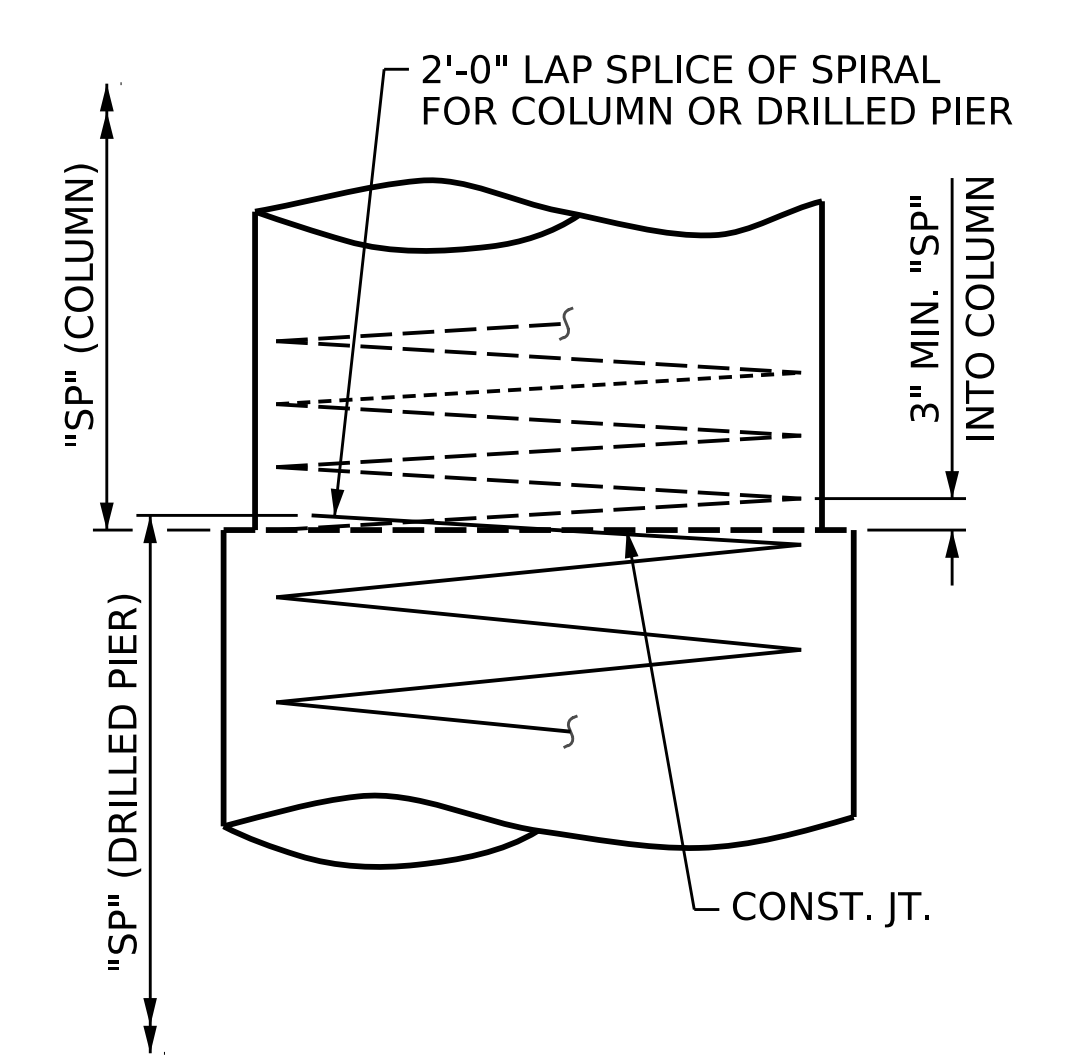


SECTION D-D

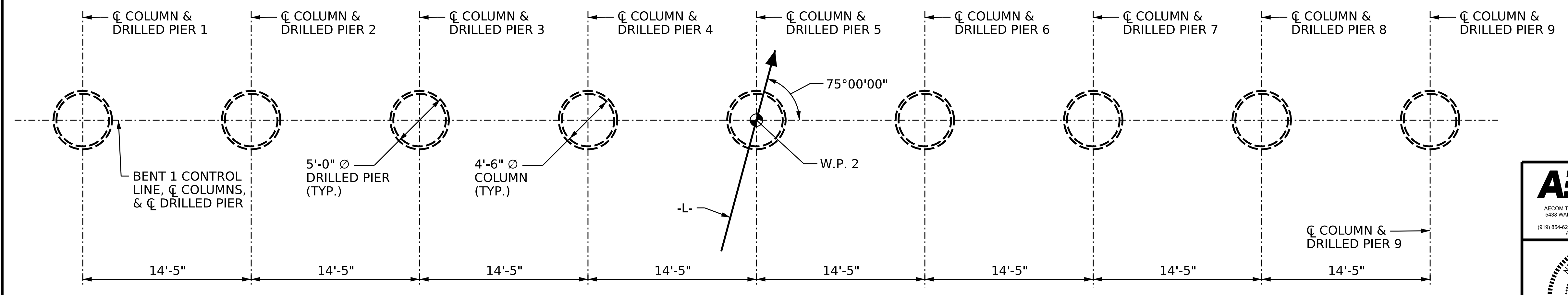


SECTION E-E

- #11 V1, V2, OR V3 BAR (COLUMN)
- ⊗ #11 V4 (COLUMN)
- #11 M1, M2, OR M3 BAR (DRILLED PIER)



CONSTRUCTION JOINT DETAIL



PLAN OF DRILLED PIERS AND COLUMNS

PROJECT NO. B-4442
BUNCOMBE COUNTY
 STATION: 315+72.39 -L-
 SHEET 4 OF 5

AECOM
AECOM TECHNICAL SERVICES OF NC, INC.
 5430 WADE PARK BOULEVARD, SUITE 200
 RALEIGH, NC 27607
 (919) 854-6200 www.aecom.com
 AECOM License No. F0242

8/17/2022

STATE OF NORTH CAROLINA
 DEPARTMENT OF TRANSPORTATION
 RALEIGH

**SUBSTRUCTURE
 BENT 1**

REVISIONS					
NO.	BY:	DATE:	NO.	BY:	DATE:
1			3		
2			4		

SHEET NO. **S-43**
 TOTAL SHEETS **58**

DRAWN BY: D.R. DRUM DATE: 04/2022
 CHECKED BY: J.C. MORRISON DATE: 05/2022
 DESIGN ENGINEER OF RECORD: J.E. SLOAN DATE: 05/2022

DOCUMENT NOT CONSIDERED
 FINAL UNLESS ALL
 SIGNATURES COMPLETED