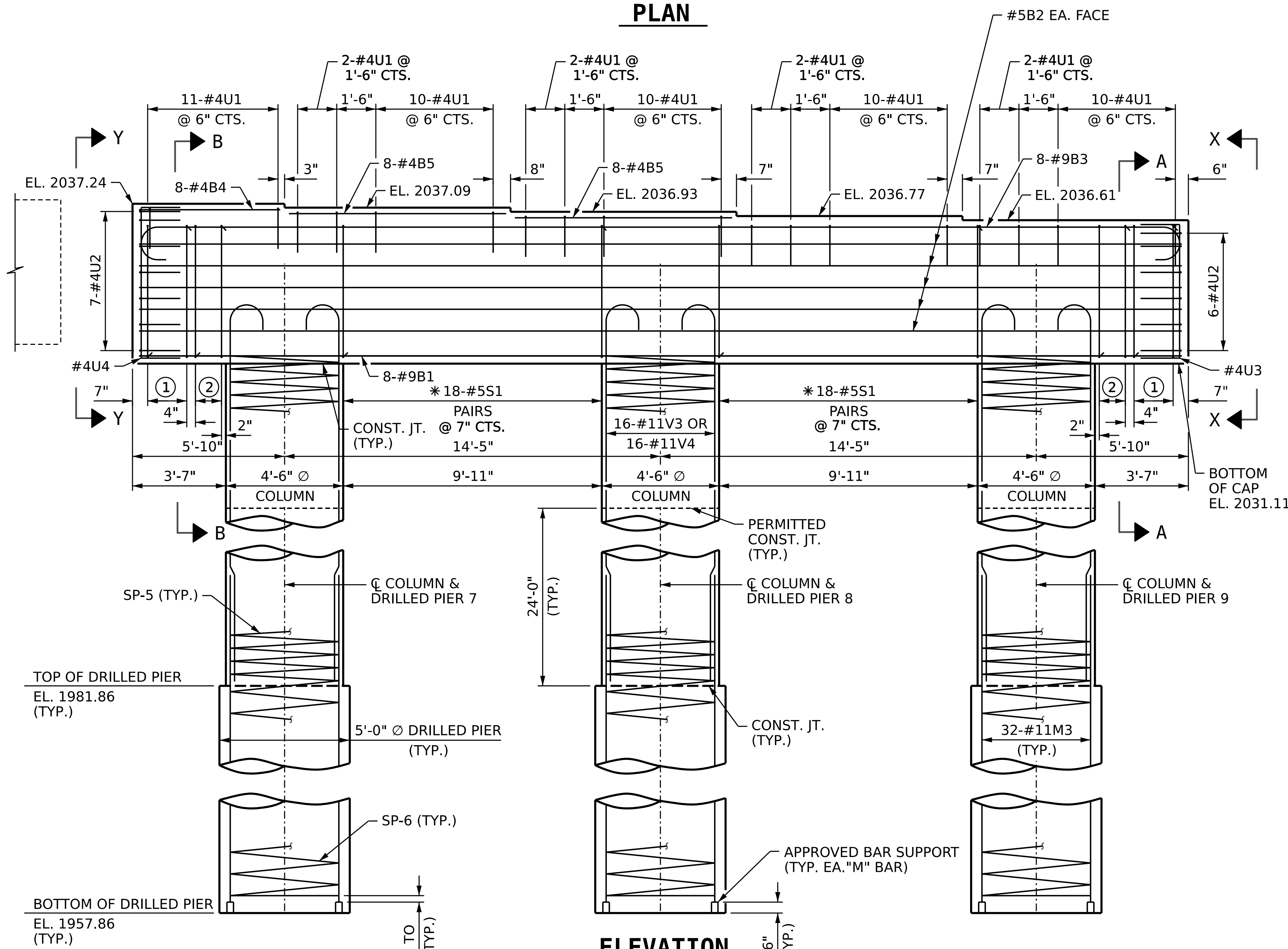
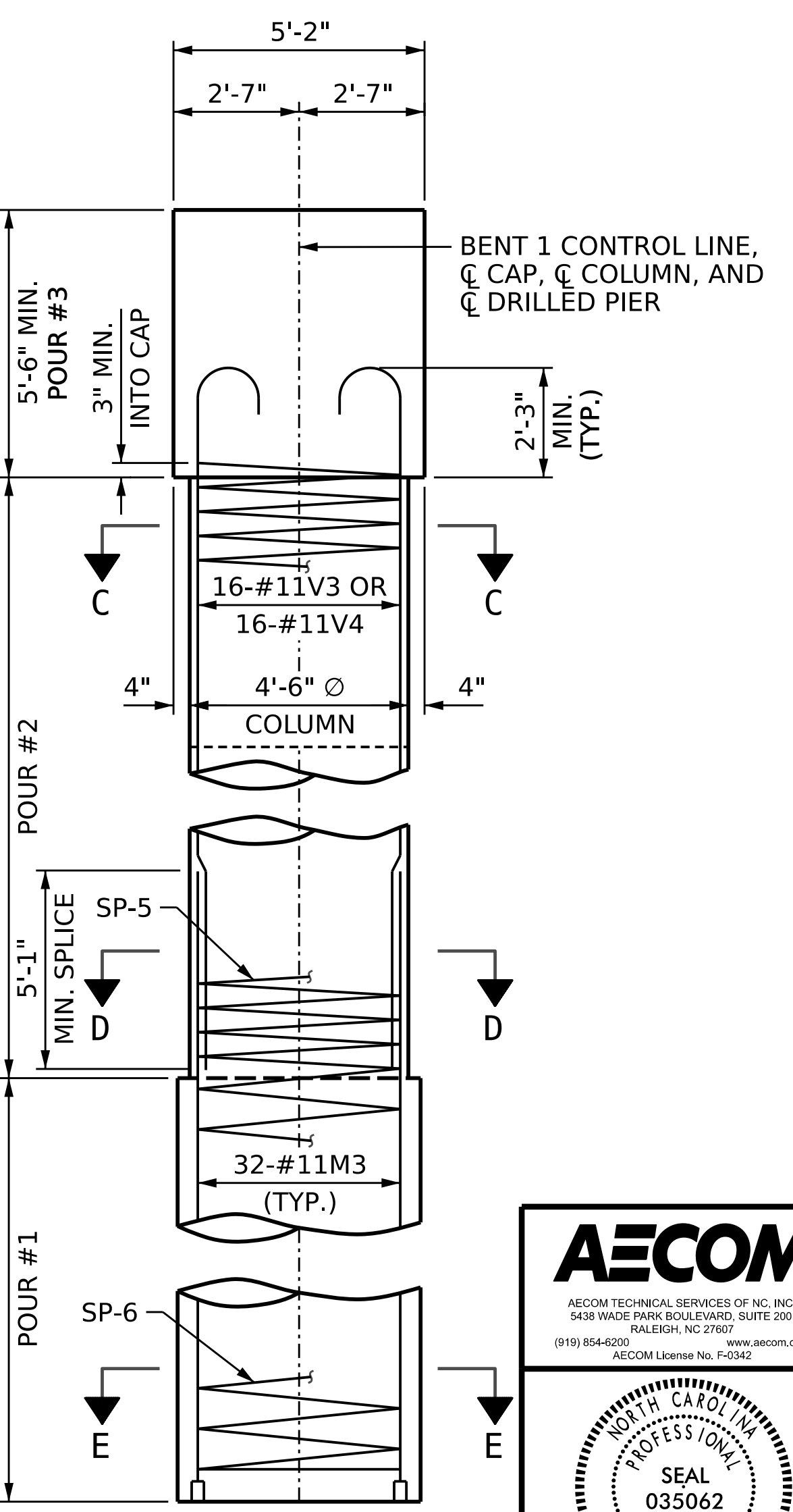


**PLAN**



**ELEVATION**



**END ELEVATION**

**NOTES:**

FOR NOTES AND DETAIL "A", SEE SHEET 1 OF 5.  
 FOR CONSTRUCTION JOINT DETAIL, SECTIONS A-A, B-B, C-C, D-D, AND E-E, AND VIEWS X-X AND Y-Y, SEE SHEET 4 OF 5.

- \* INVERT ALTERNATE #5S1 STIRRUPS
- ① 4-#5S1 @ 6" CTS. \*
- ② 4-#5S1 @ 4" CTS. \*

PROJECT NO. B-4442  
BUNCOMBE COUNTY  
 STATION: 315+72.39 -L-  
 SHEET 3 OF 5

**AECOM**  
AECOM TECHNICAL SERVICES OF NC, INC.  
 5430 WADE PARK BOULEVARD, SUITE 200  
 RALEIGH, NC 27607  
 (919) 854-6200 www.aecom.com  
 AECOM License No. F0242

DocuSigned by:  
 John E. Sloan  
 SEAL  
 035062  
 ENGINEER  
 JOHN E. SLOAN

STATE OF NORTH CAROLINA DEPARTMENT OF TRANSPORTATION RALEIGH					
SUBSTRUCTURE <b>BENT 1</b> STAGE III					
REVISIONS					
NO.	BY:	DATE:	NO.	BY:	DATE:
1			3		
2			4		
SHEET NO.					S-42
TOTAL SHEETS					58

DRAWN BY: D.R. DRUM DATE: 03/2022  
 CHECKED BY: J.C. MORRISON DATE: 05/2022  
 DESIGN ENGINEER OF RECORD: J.E. SLOAN DATE: 05/2022

DOCUMENT NOT CONSIDERED  
 FINAL UNLESS ALL  
 SIGNATURES COMPLETED