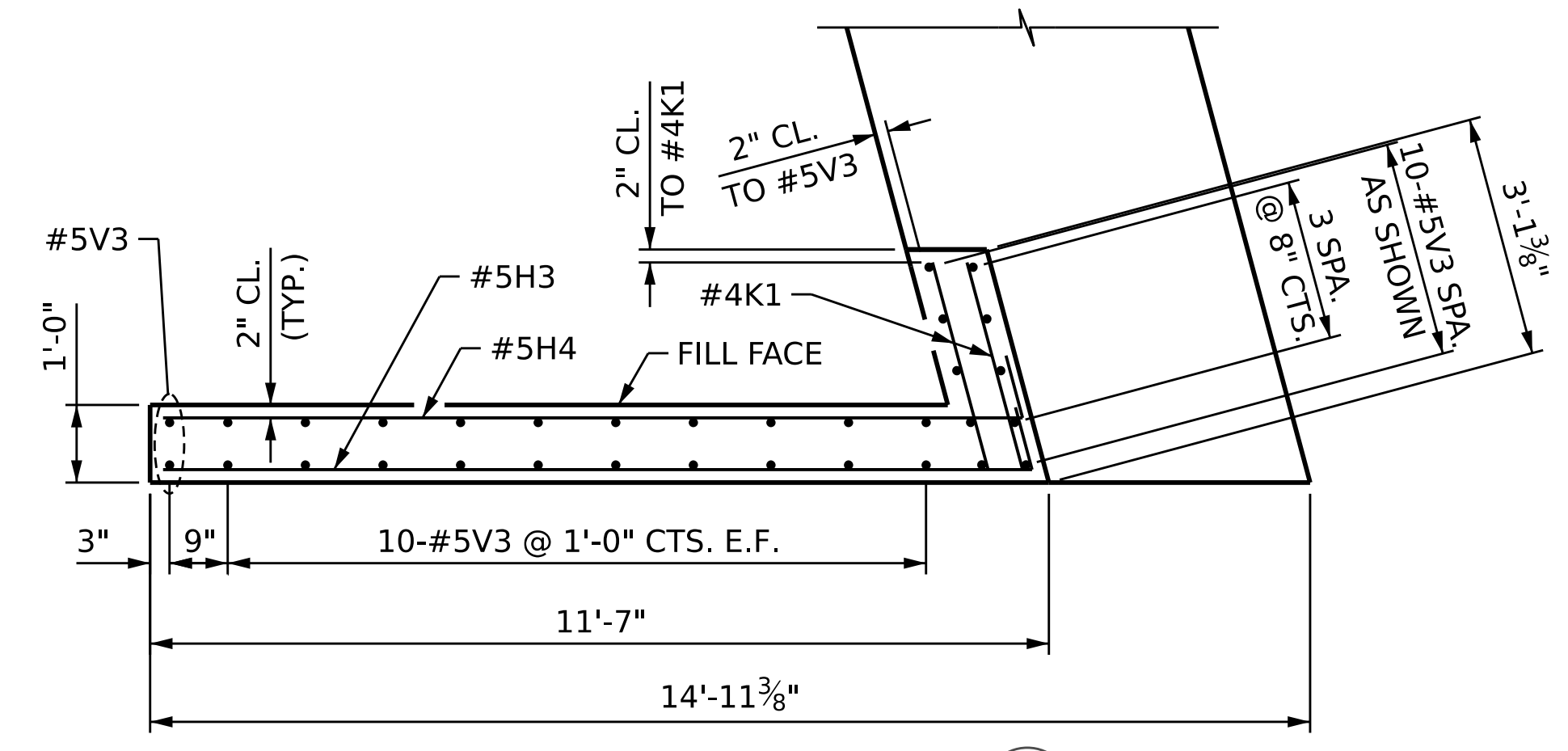
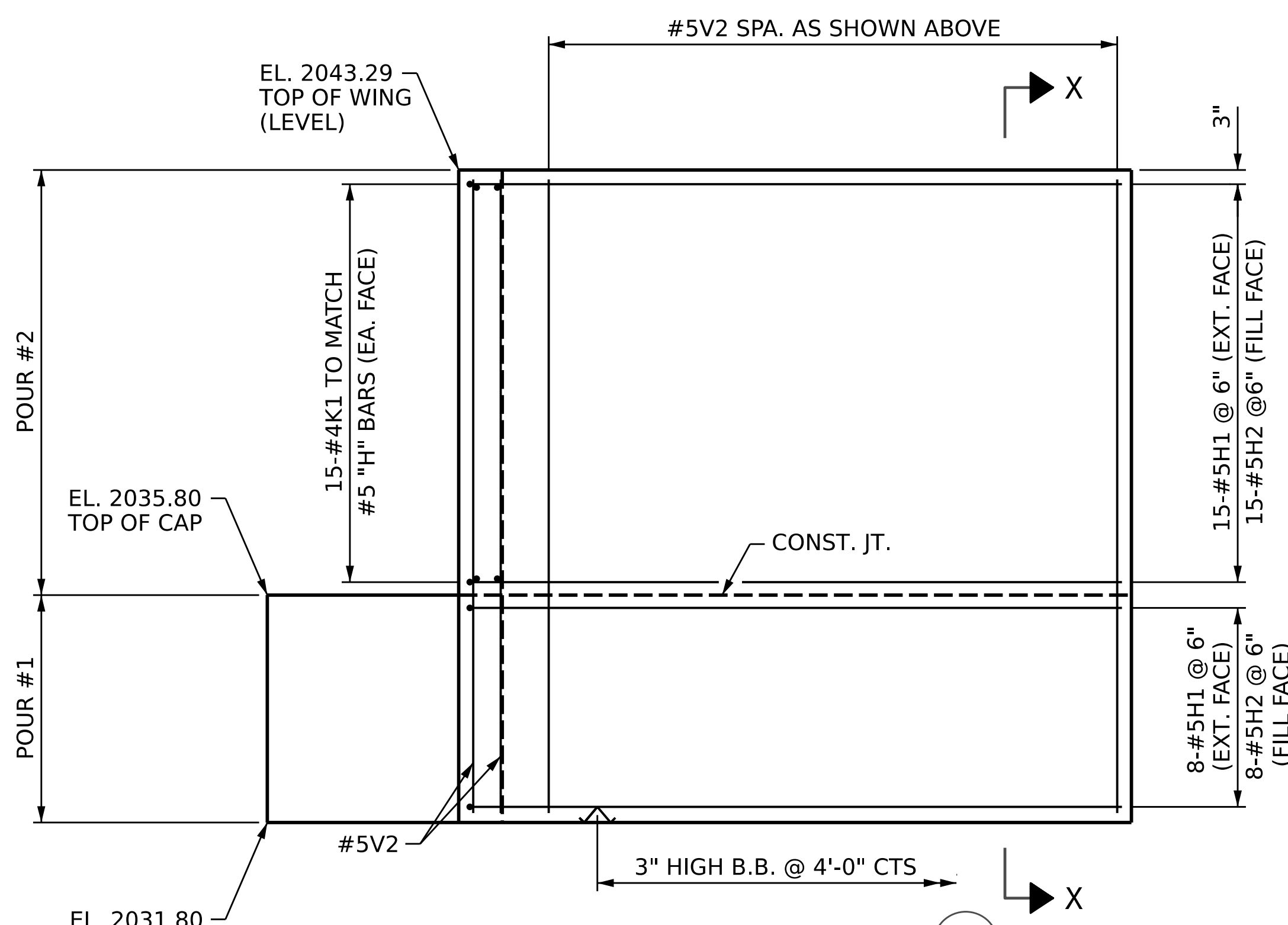


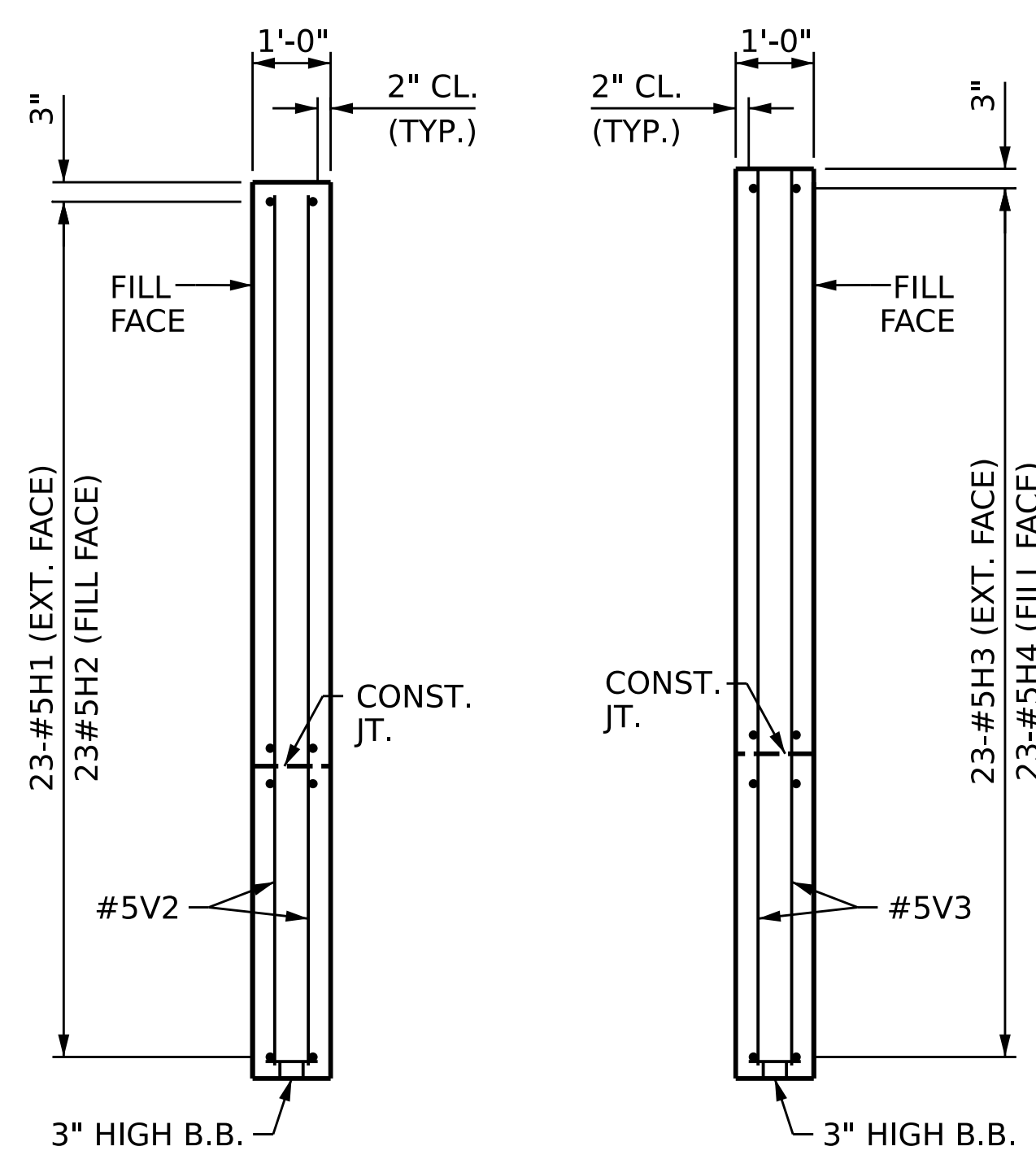
**PLAN OF WING W1**



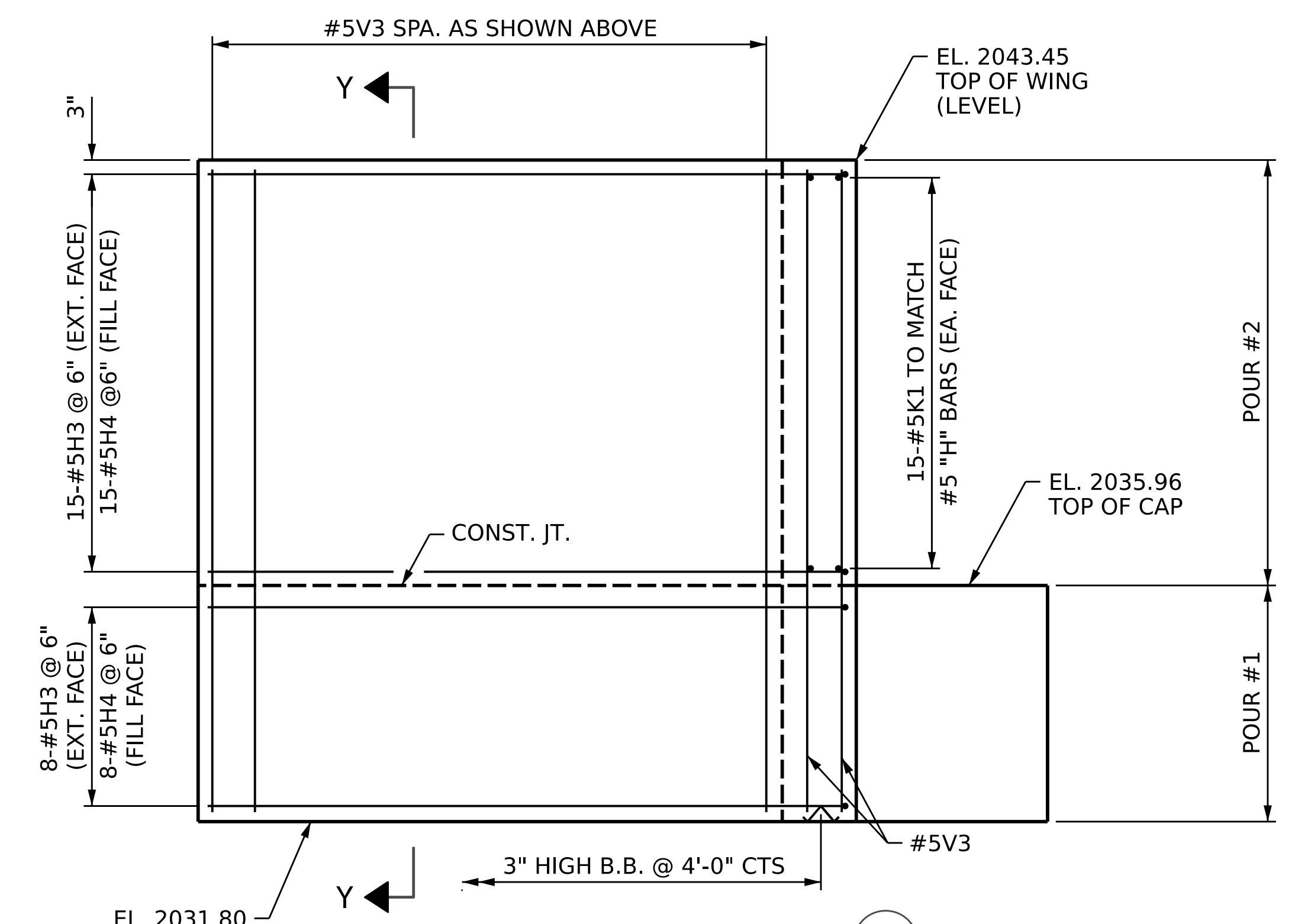
**PLAN OF WING W2**



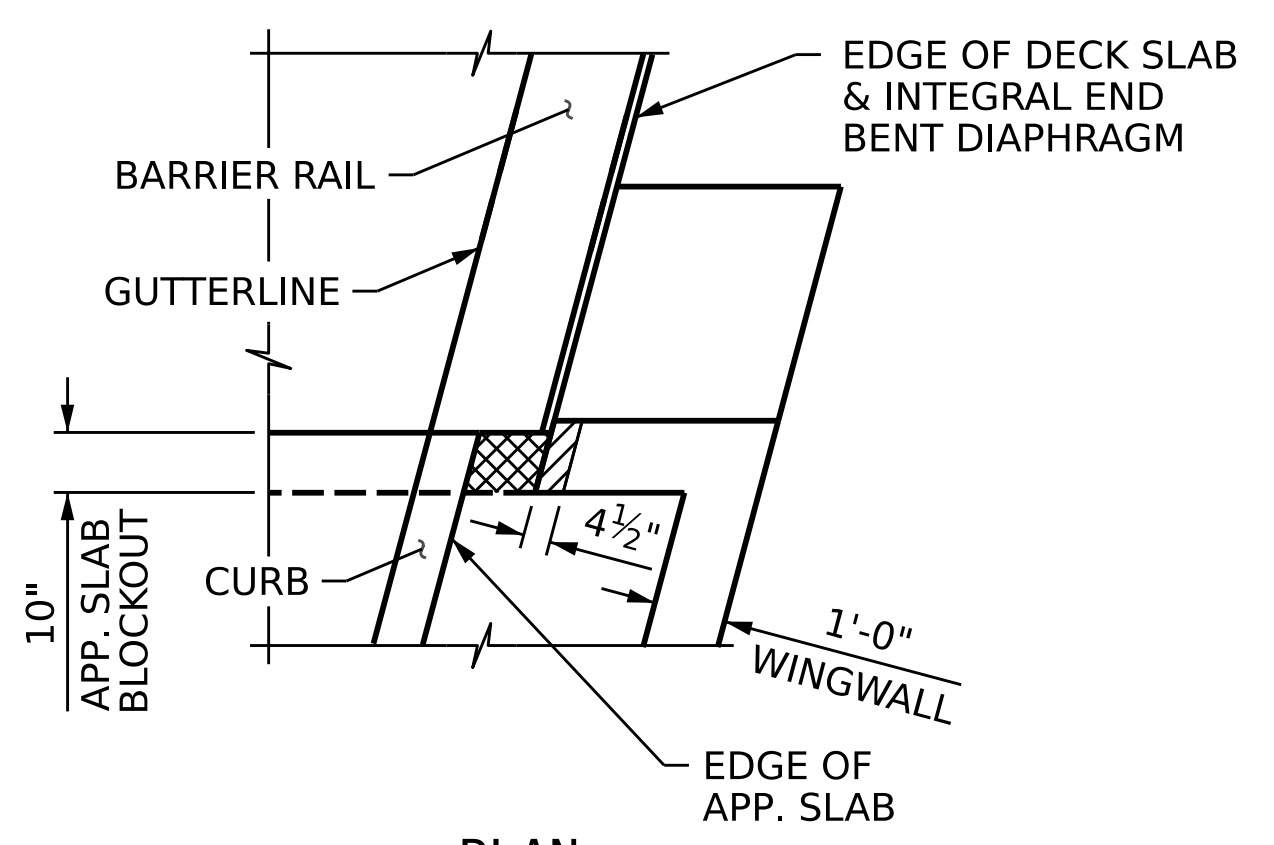
**ELEVATION OF WING W1**



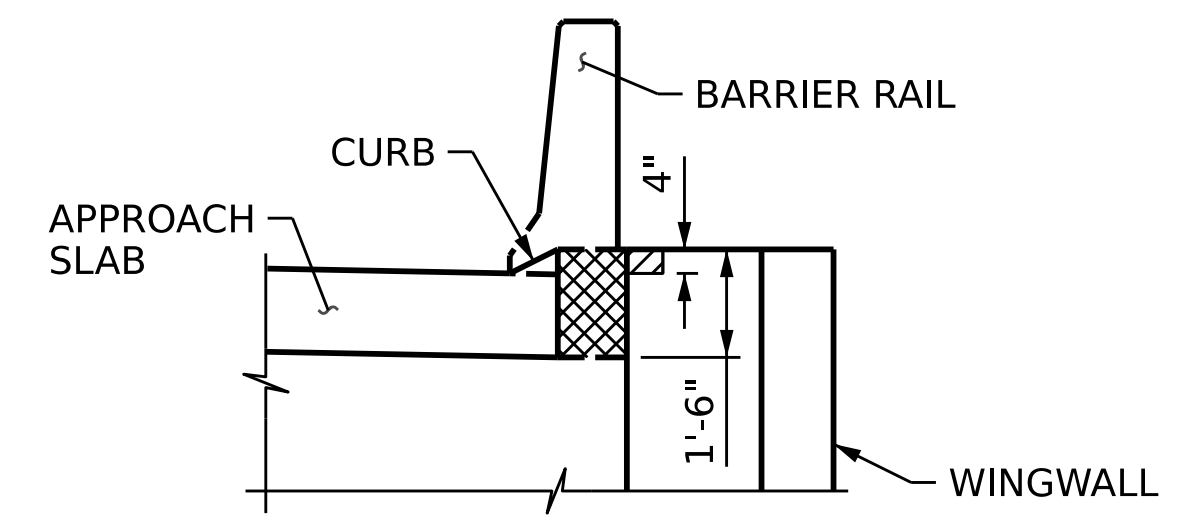
**SECTION X-X SECTION Y-Y**



**ELEVATION OF WING W2**



**PLAN**



**ELEVATION**

**BLOCKOUT IN WINGWALL**

**NOTES:**  
 WING W2 SHOWN. WING W1 SIMILAR.  
 CONCRETE IN THE CROSS-HATCHED AREA SHALL BE POURED ALONG WITH APPROACH SLAB CONSTRUCTION AND AFTER BARRIER RAIL HAS BEEN CAST IF SLIP FORMING IS USED.  
 CONCRETE IN THE HATCHED AREA OF THE WING SHALL BE POURED AFTER THE BARRIER RAIL IS CAST IF SLIP FORMING IS USED.

PROJECT NO. B-4442  
BUNCOMBE COUNTY  
 STATION: 315+72.39 -L-  
 SHEET 4 OF 6

**AECOM**  
AECOM TECHNICAL SERVICES OF NC, INC.  
 5430 WADE PARK BOULEVARD, SUITE 200  
 RALEIGH, NC 27607  
 (919) 854-6200 www.aecom.com  
 AECOM License No. F02442

8/17/2022  
 SEAL  
 035062  
 JOHN E. SLOAN  
 ENGINEER

STATE OF NORTH CAROLINA DEPARTMENT OF TRANSPORTATION RALEIGH					
SUBSTRUCTURE <b>INTEGRAL END BENT 1</b> WINGWALLS					
REVISIONS					
NO.	BY:	DATE:	NO.	BY:	DATE:
1			3		
2			4		
SHEET NO.					S-37
TOTAL SHEETS					58

DRAWN BY :	D.R. DRUM	DATE :	03/2022
CHECKED BY :	J.C. MORRISON	DATE :	05/2022
DESIGN ENGINEER OF RECORD :	J.E. SLOAN	DATE :	05/2022

DOCUMENT NOT CONSIDERED  
 FINAL UNLESS ALL  
 SIGNATURES COMPLETED