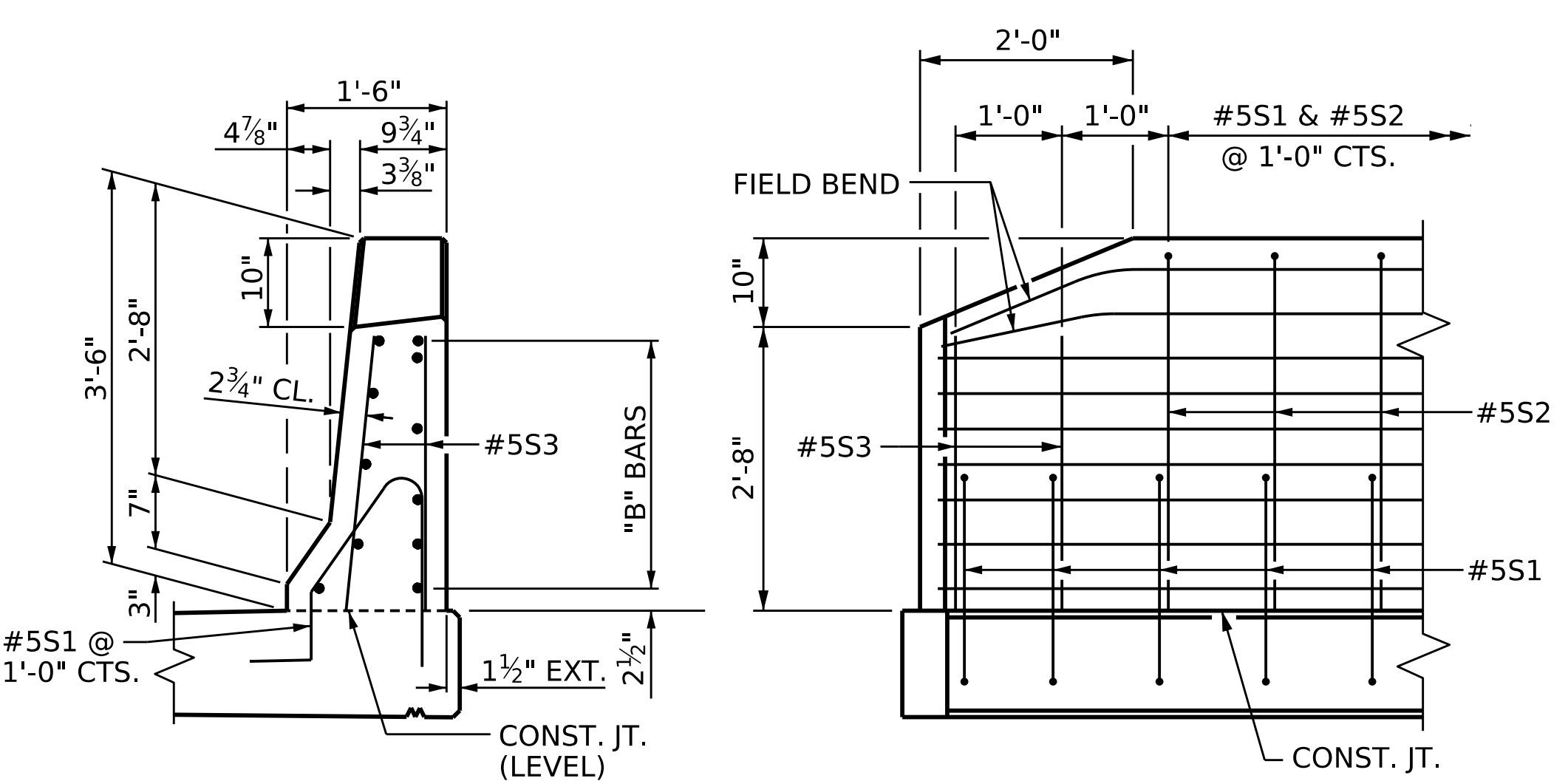


**PLAN**  
END BENT 1 SIDE SHOWN. END BENT 2 SIDE SIMILAR.



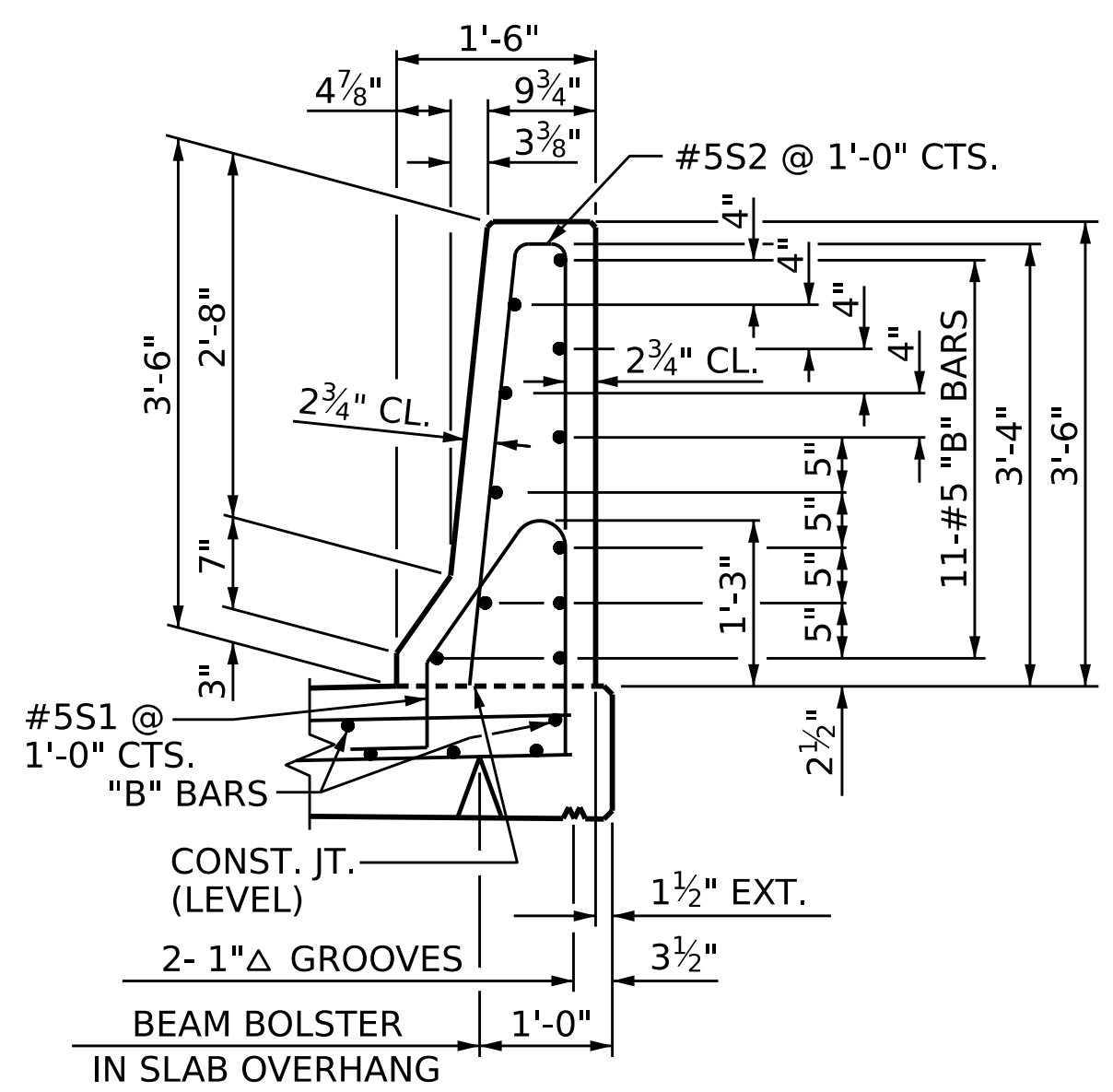
**END OF RAIL DETAILS**

**NOTES:**

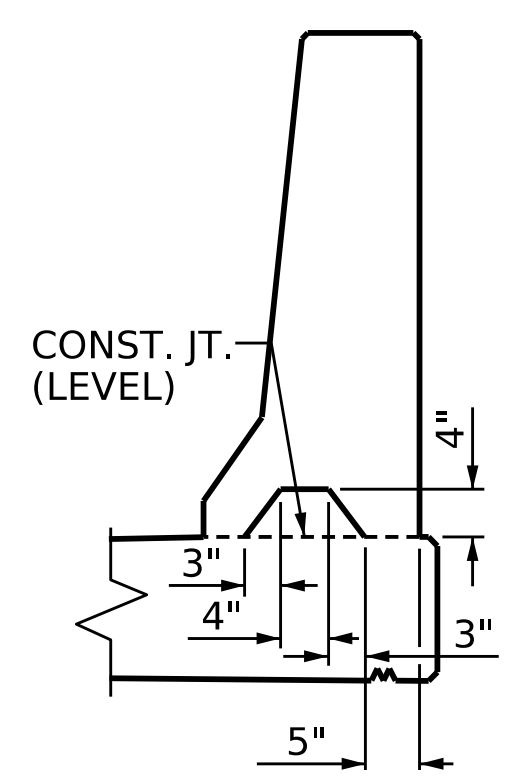
THE BARRIER RAIL IN EACH SPAN SHALL NOT BE CAST UNTIL ALL SLAB CONCRETE IN THAT SPAN HAS BEEN CAST AND HAS REACHED A MINIMUM COMPRESSIVE STRENGTH OF 3,000 PSI.

GROOVED CONTRACTION JOINTS, 1/2" IN DEPTH, SHALL BE TOOLED IN ALL EXPOSED FACES OF THE BARRIER RAIL IN ACCORDANCE WITH ARTICLE 825-10(B) OF THE STANDARD SPECIFICATIONS. THE CONTRACTION JOINT SHALL BE LOCATED AT EACH THIRD POINT BETWEEN BARRIER RAIL EXPANSION JOINTS. ONLY ONE CONTRACTION JOINT IS REQUIRED AT THE MIDPOINT OF BARRIER RAIL SEGMENTS LESS THAN 20 FEET IN LENGTH AND NO CONTRACTION JOINTS ARE REQUIRED FOR THOSE SEGMENTS LESS THAN 10 FEET IN LENGTH.

ALL REINFORCING STEEL IN THE CONCRETE MEDIAN BARRIER SHALL BE EPOXY COATED.

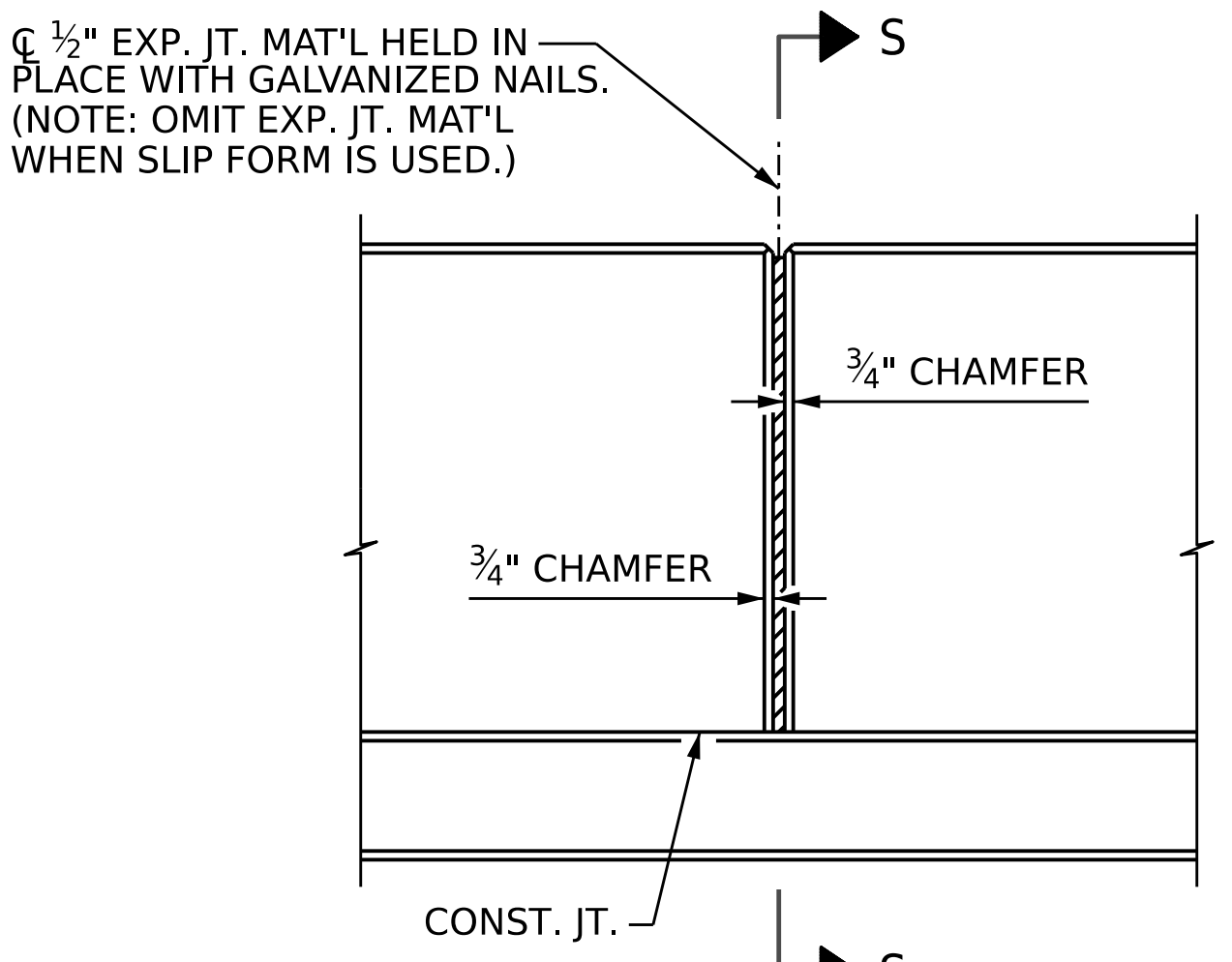


**SECTION THRU RAIL**



**SECTION S-S**

AT DAM IN OPEN JOINT  
(THIS IS TO BE USED ONLY  
WHEN SLIP FORM IS USED)



**ELEVATION AT EXPANSION JOINTS**

**BARRIER RAIL DETAILS**

BILL OF MATERIAL					
CONCRETE MEDIAN BARRIER					
BAR	NO.	SIZE	TYPE	LENGTH	WEIGHT
* B1	286	5	STR	19'-7"	5842
* B2	88	5	STR	8'-8"	795
* S1	576	5	1	4'-7"	2754
* S2	568	5	2	7'-0"	4147
* S3	16	5	STR	2'-6"	42
* EPOXY COATED REINFORCING STEEL					13,580 LBS.
CLASS AA CONCRETE					78.4 C.Y.
CONCRETE BARRIER RAIL					576.5 L.F.
BAR TYPES					
ALL BAR DIMENSIONS ARE OUT TO OUT.					

PROJECT NO. B-4442  
BUNCOMBE COUNTY  
 STATION: 315+72.39 -L-  
 SHEET 3 OF 3

**AECOM**  
AECOM TECHNICAL SERVICES OF NC, INC.  
 5430 WADE PARK BOULEVARD, SUITE 200  
 RALEIGH, NC 27607  
 (919) 854-6200 www.aecom.com  
 AECOM License No. F02442

8/17/2022

DocuSigned by:  
  
 JOHN E. SLOAN  
 ENGINEER

STATE OF NORTH CAROLINA DEPARTMENT OF TRANSPORTATION RALEIGH					
SUPERSTRUCTURE CONCRETE BARRIER RAIL					
REVISIONS					SHEET NO.
NO.	BY:	DATE:	NO.	BY:	DATE:
1			3		
2			4		
					S-30
					TOTAL SHEETS 58

DRAWN BY : D.R. DRUM DATE : 04/2022  
 CHECKED BY : J.C. MORRISON DATE : 05/2022  
 DESIGN ENGINEER OF RECORD : J.E. SLOAN DATE : 05/2022

DOCUMENT NOT CONSIDERED  
 FINAL UNLESS ALL  
 SIGNATURES COMPLETED