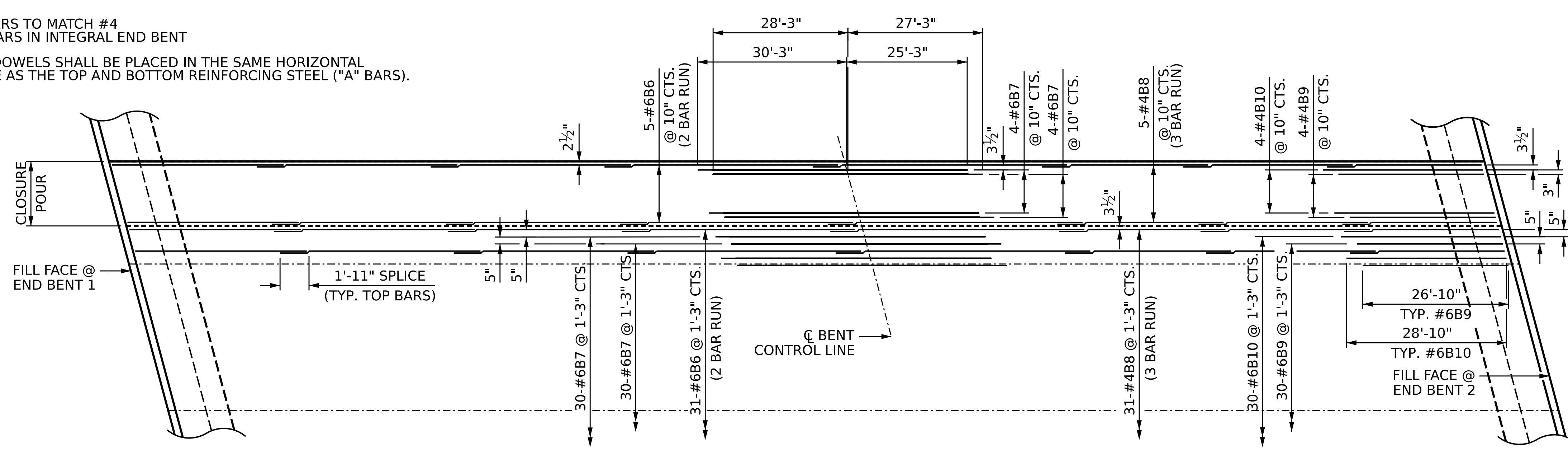


① 5-#4B2 @ 10" CTS. BOTTOM OF LINK SLAB (2 BAR RUN) (TYP. EA. BAY)

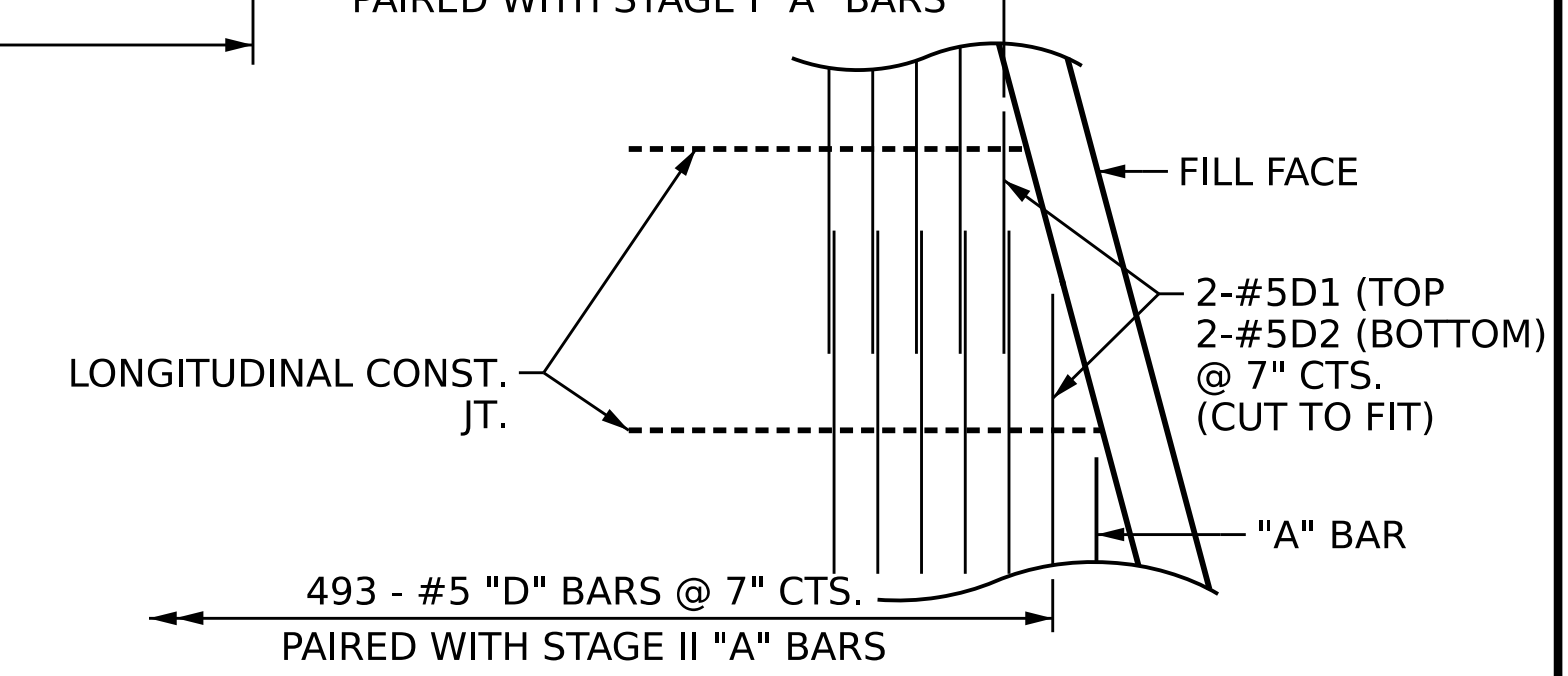
* = BARS TO MATCH #4
 "V" BARS IN INTEGRAL END BENT
 ** = DOWELS SHALL BE PLACED IN THE SAME HORIZONTAL PLANE AS THE TOP AND BOTTOM REINFORCING STEEL ("A" BARS).

SPAN B



TOP REINFORCING STEEL LAYOUT

SHOWING "B" BARS IN TOP OF SLAB (NOT DRAWN TO SCALE)



DETAIL C

SHOWING DECK REINFORCEMENT "D" BARS IN CLOSURE POUR AT END BENT

PROJECT NO. **B-4442**
BUNCOMBE COUNTY
 STATION: **315+72.39 -L-**
 SHEET 4 OF 6

STATE OF NORTH CAROLINA
 DEPARTMENT OF TRANSPORTATION
 RALEIGH
 SUPERSTRUCTURE
**PLAN OF SPAN B
 STAGE II
 CONSTRUCTION**

REVISIONS					
NO.	BY:	DATE:	NO.	BY:	DATE:
1			3		
2			4		

SHEET NO. **S-16**
 TOTAL SHEETS **58**

DRAWN BY: M.L. CATER DATE: 05/2022
 CHECKED BY: D.S. TUTTLE DATE: 05/2022
 DESIGN ENGINEER OF RECORD: J.E. SLOAN DATE: 05/2022

DOCUMENT NOT CONSIDERED FINAL UNLESS ALL SIGNATURES COMPLETED