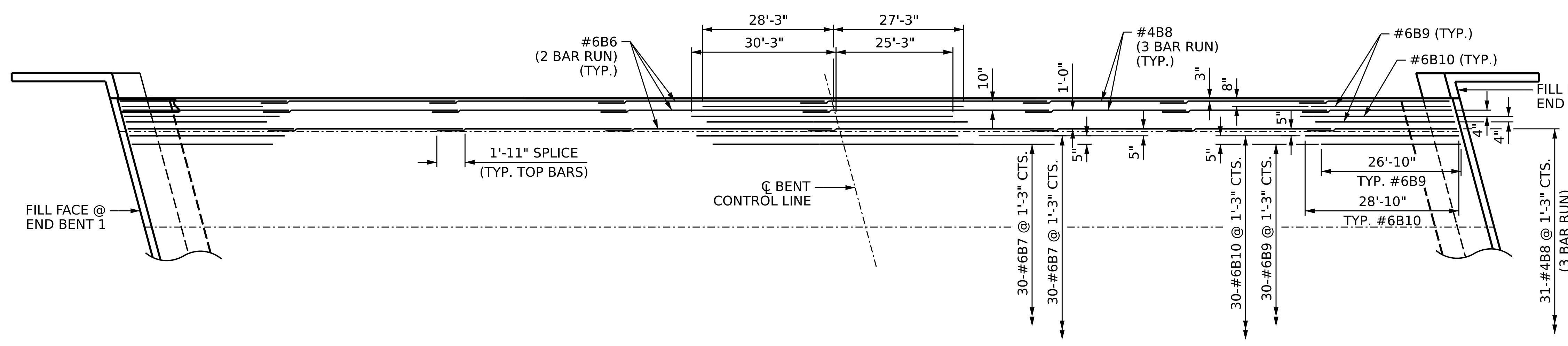


SPAN B



TOP REINFORCING STEEL LAYOUT

SHOWING "B" BARS IN TOP OF SLAB
(NOT DRAWN TO SCALE)

- ① 5-#4B2 @ 10" CTS. BOTTOM OF LINK SLAB (2 BAR RUN) (TYP. EA. BAY)

* = BARS TO MATCH #4
 "V" BARS IN INTEGRAL END BENT
 ** = DOWELS SHALL BE PLACED IN THE SAME HORIZONTAL PLANE AS THE TOP AND BOTTOM REINFORCING STEEL ("A" BARS).

PROJECT NO. B-4442
BUNCOMBE COUNTY
 STATION: 315+72.39 -L-
 SHEET 2 OF 6

AECOM
AECOM TECHNICAL SERVICES OF NC, INC.
 5430 WADE PARK BOULEVARD, SUITE 200
 RALEIGH, NC 27607
 (919) 854-6200 www.aecom.com
 AECOM License No. F02842

8/17/2022

DocuSigned by:
 John E. Sloan
 94068320C8D48

STATE OF NORTH CAROLINA
 DEPARTMENT OF TRANSPORTATION
 RALEIGH

SUPERSTRUCTURE

**PLAN OF SPAN B
 STAGE I
 CONSTRUCTION**

REVISIONS						SHEET NO.
NO.	BY:	DATE:	NO.	BY:	DATE:	S-14
1			3			TOTAL SHEETS 58
2			4			

DRAWN BY: M.L. CATER DATE: 05/2022
 CHECKED BY: D.S. TUTTLE DATE: 05/2022
 DESIGN ENGINEER OF RECORD: J.E. SLOAN DATE: 05/2022

DOCUMENT NOT CONSIDERED
 FINAL UNLESS ALL
 SIGNATURES COMPLETED