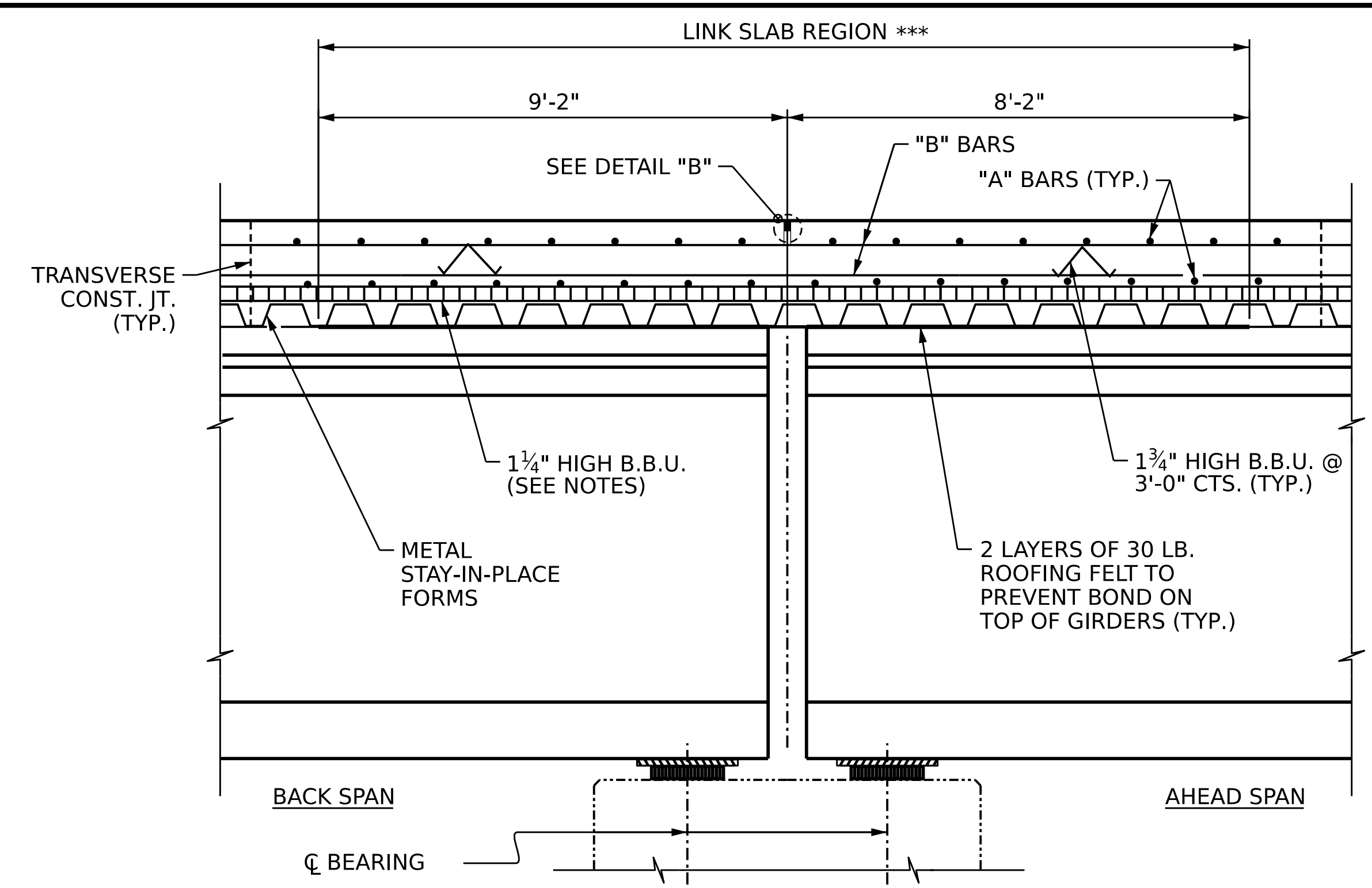


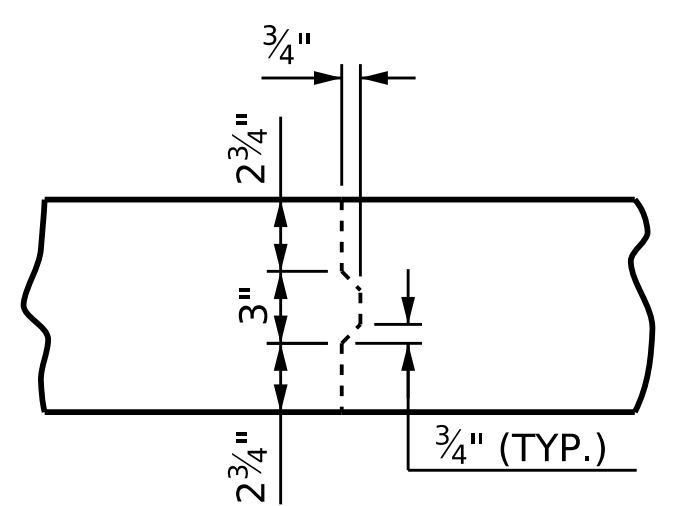
SECTION @ INTEGRAL END BENT

SECTION SHOWN NORMAL TO END BENT EXCEPT AS NOTED



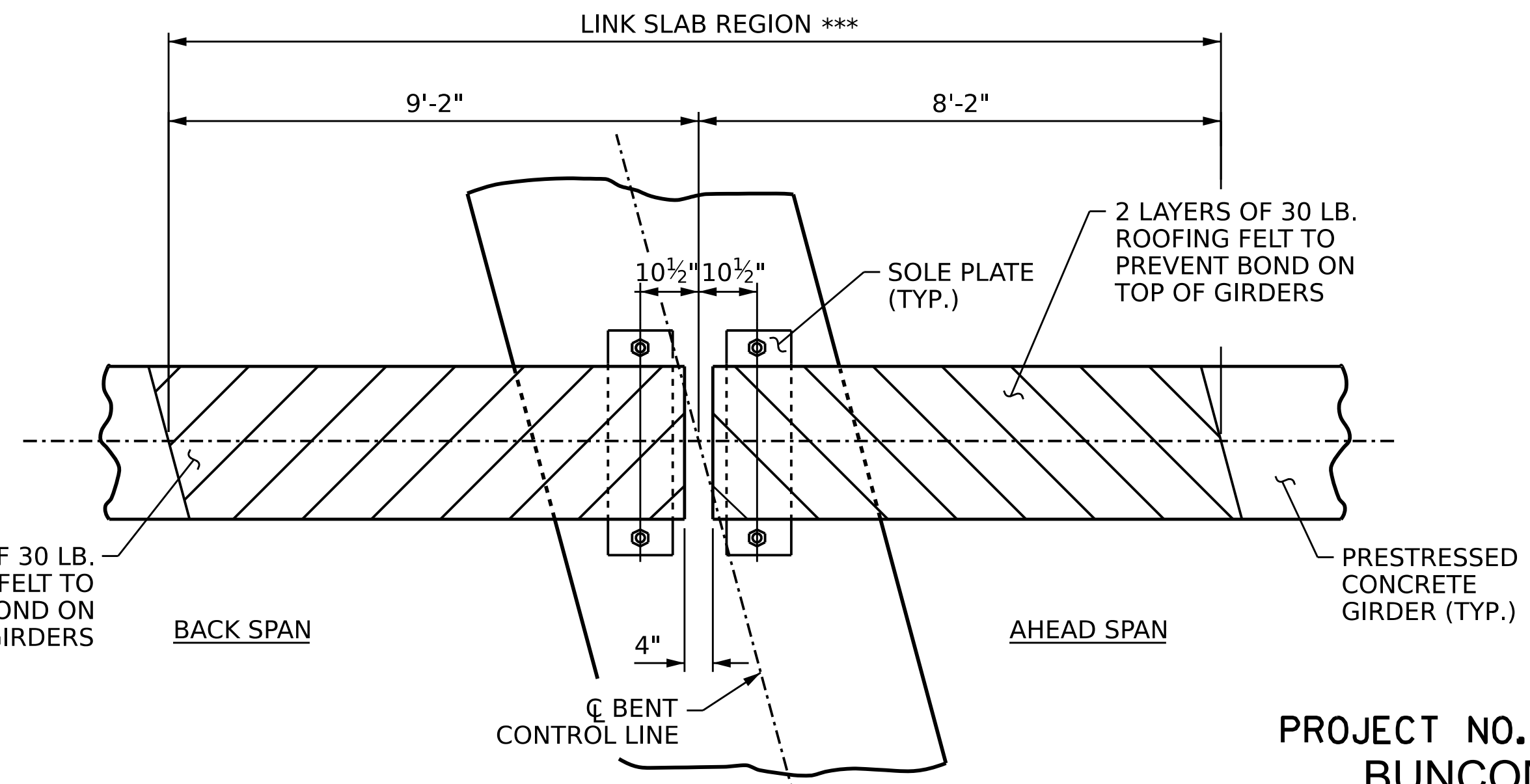
SECTION @ LINK SLAB

SECTION SHOWN ALONG GIRDER



TRANSVERSE CONSTRUCTION JOINT IN DECK SLAB

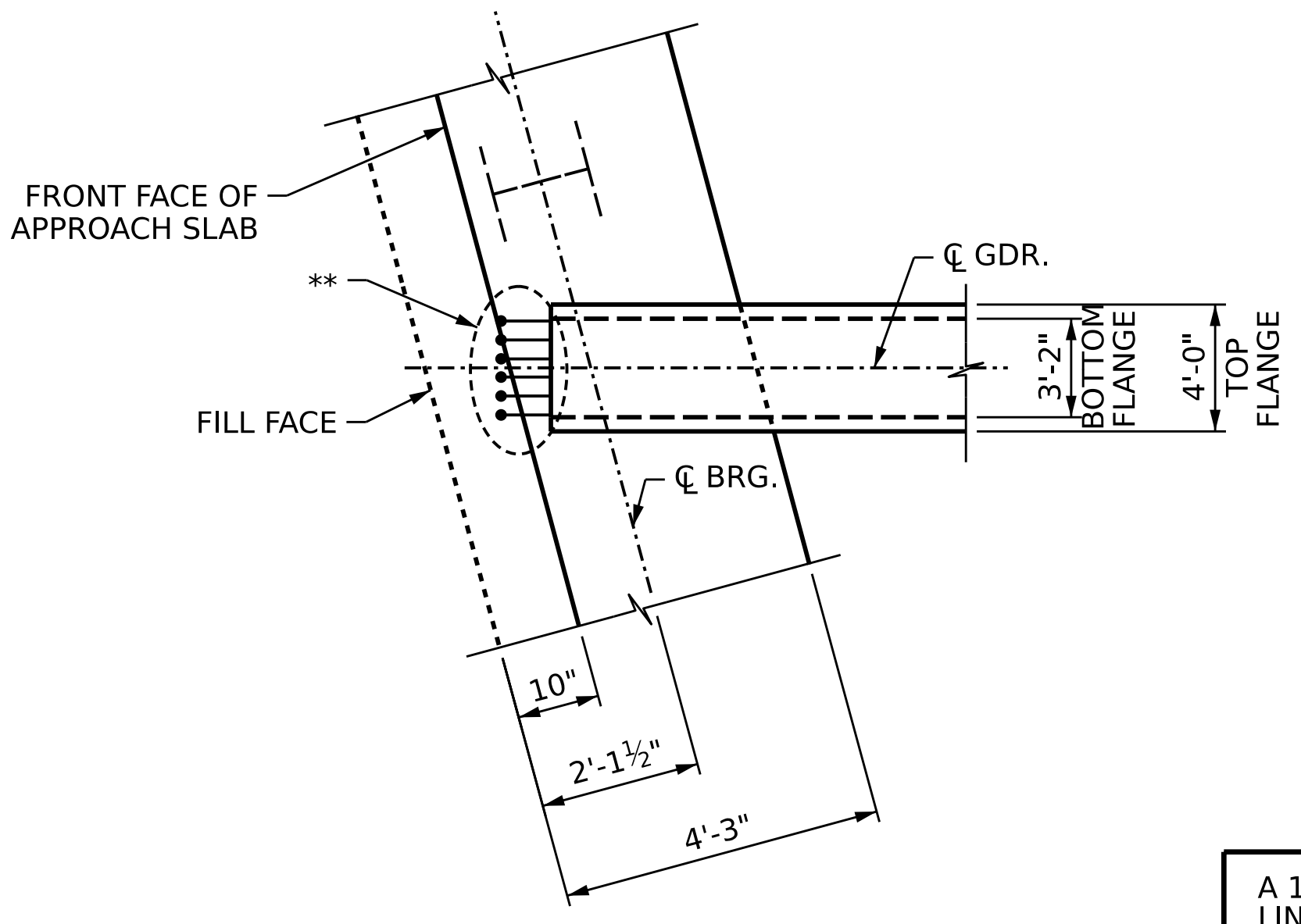
NOTE: REINFORCING STEEL IN SLAB NOT SHOWN. REINFORCING STEEL SHALL BE CONTINUOUS THRU JOINT.



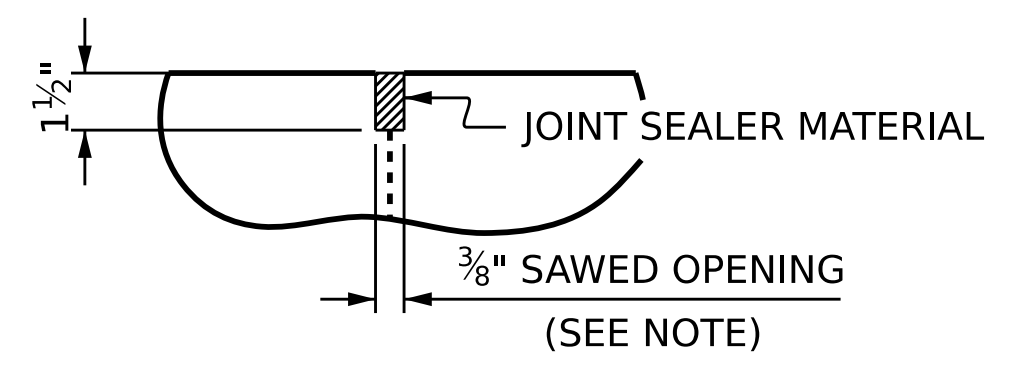
PLAN @ BENT

***: THE TOP OF GIRDER IN THE REGION OF THE LINK SLAB SHALL BE SMOOTH (NOT RAKED) AND FREE OF STIRRUPS, ANCHOR STUDS, DECK FORMWORK ATTACHMENTS, AND OVERHANG FALSEWORK/FORMWORK ATTACHMENTS.

METAL STAY-IN-PLACE FORMS SHALL NOT BE WELDED TO THE GIRDER FLANGES IN THE REGION OF THE LINK SLAB.



PLAN @ INTEGRAL END BENT



DETAIL "B"

A 1 1/2" DEEP, 3/8" WIDE CONTRACTION JOINT AT BENT CONTROL LINE SHALL BE SAWN WITHIN 24 HOURS OF POURING THE DECK. THE JOINT SHALL BE FILLED WITH JOINT SEALER MATERIAL. THE JOINT SEALER MATERIAL SHALL CONFORM TO THE REQUIREMENTS OF SECTION 1028-3 OF THE STANDARD SPECIFICATIONS.

PROJECT NO. B-4442
BUNCOMBE COUNTY
 STATION: 315+72.39 -L-
 SHEET 4 OF 4

AECOM
AECOM TECHNICAL SERVICES OF NC, INC.
 5430 WADE PARK BOULEVARD, SUITE 200
 RALEIGH, NC 27607
 (919) 854-6200 www.aecom.com
 AECOM License No. F02842

DocuSigned by:

 JOHN E. SLOAN
 8/17/2022

STATE OF NORTH CAROLINA DEPARTMENT OF TRANSPORTATION RALEIGH		SUPERSTRUCTURE TYPICAL SECTIONS TYPICAL DETAILS LINK SLAB DETAILS	
REVISIONS			
NO.	BY:	DATE:	NO.
1			3
2			4
SHEET NO.			TOTAL SHEETS
S-12			58

DRAWN BY :	B.T. LEROY	DATE :	05/2022
CHECKED BY :	D.S. TUTTLE	DATE :	05/2022
DESIGN ENGINEER OF RECORD:	J.E. SLOAN	DATE :	05/2022

DOCUMENT NOT CONSIDERED FINAL UNLESS ALL SIGNATURES COMPLETED