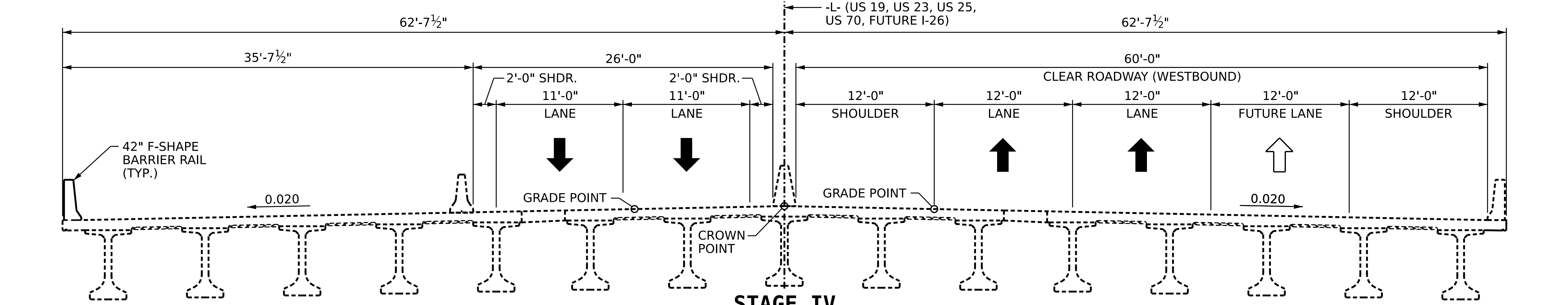
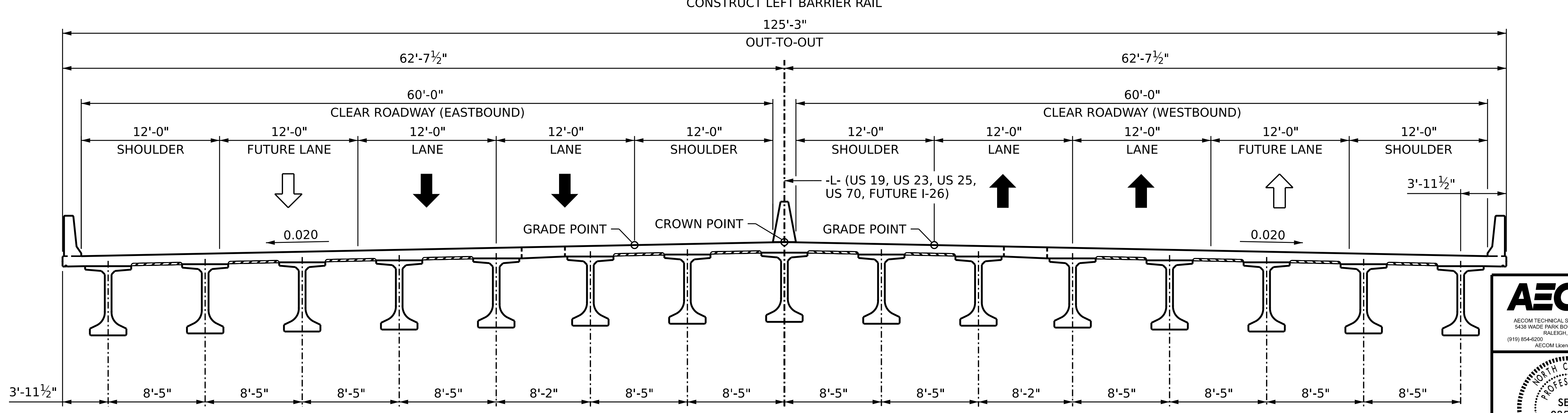


STAGE III
CONSTRUCT STAGE III



STAGE IV
SHIFT WESTBOUND TRAFFIC ONTO STAGE III, REMOVE PORTABLE CONCRETE BARRIER (ANCHORED), AND SHIFT EASTBOUND TRAFFIC
CONSTRUCT LEFT BARRIER RAIL



FINAL

REMOVE PORTABLE CONCRETE BARRIER
SHIFT TRAFFIC TO FINAL LANE CONFIGURATION

PROJECT NO. B-4442
BUNCOMBE COUNTY
STATION: 315+72.39 -L-
SHEET 2 OF 2

AECOM
AECOM TECHNICAL SERVICES OF NC, INC.
5430 WADE PARK BOULEVARD, SUITE 200
RALEIGH, NC 27607
(919) 854-6200 www.aecom.com
AECOM License No. F02842

DocuSigned by:
John E. Sloan
94088320C8D48

8/17/2022

STATE OF NORTH CAROLINA
DEPARTMENT OF TRANSPORTATION
RALEIGH

GENERAL DRAWING
CONSTRUCTION SEQUENCE

REVISIONS						SHEET NO.
NO.	BY:	DATE:	NO.	BY:	DATE:	S-08
1			3			TOTAL SHEETS
2			4			58

DRAWN BY : D.R. DRUM DATE : 05/2022
CHECKED BY : J.C. MORRISON DATE : 05/2022
DESIGN ENGINEER OF RECORD: J.E. SLOAN DATE : 05/2022

DOCUMENT NOT CONSIDERED
FINAL UNLESS ALL
SIGNATURES COMPLETED