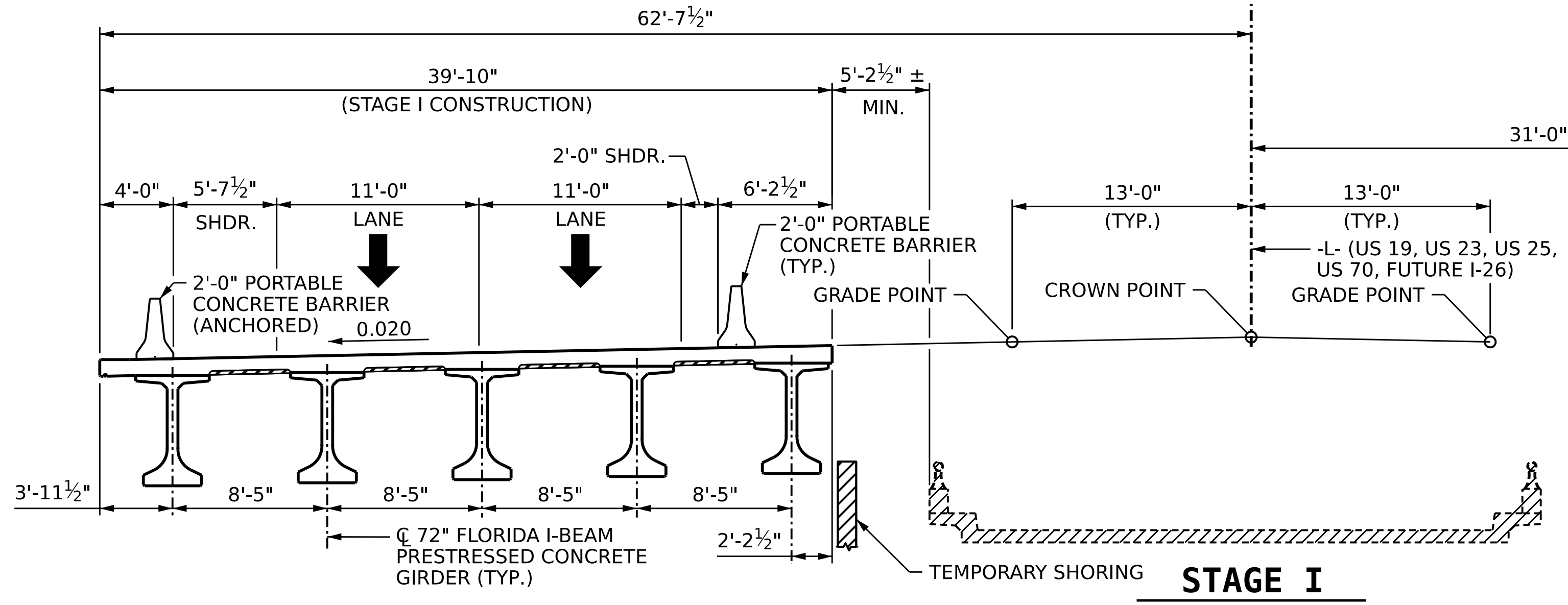
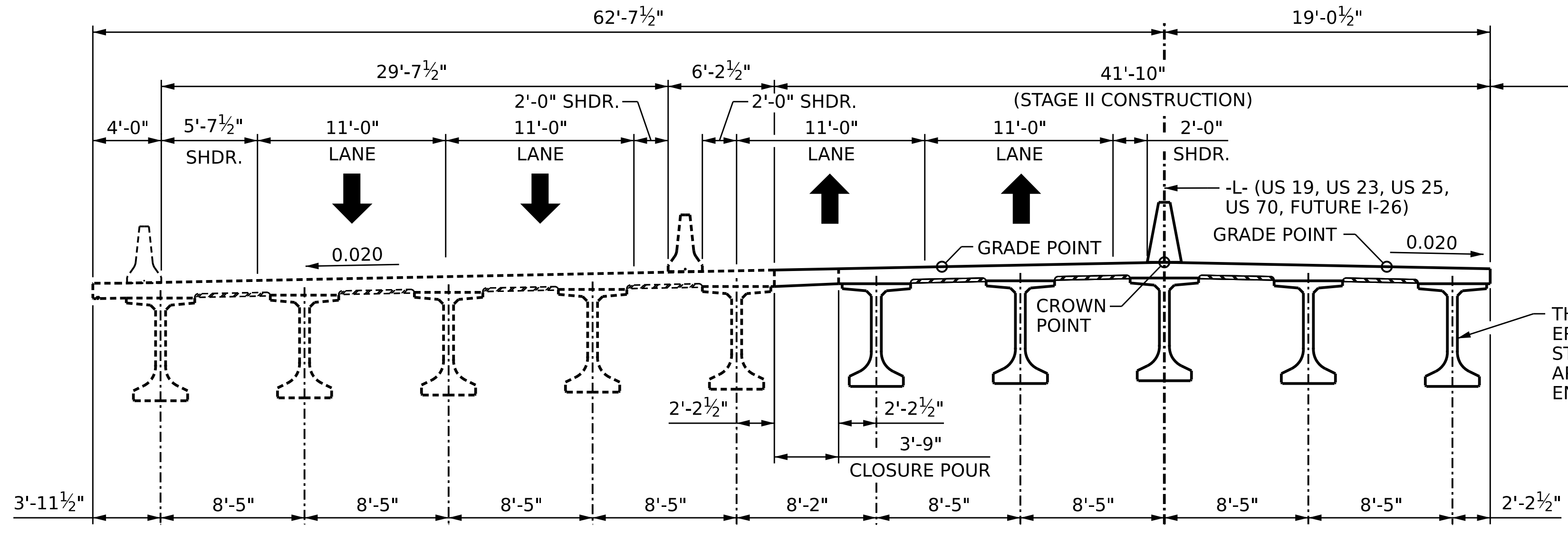
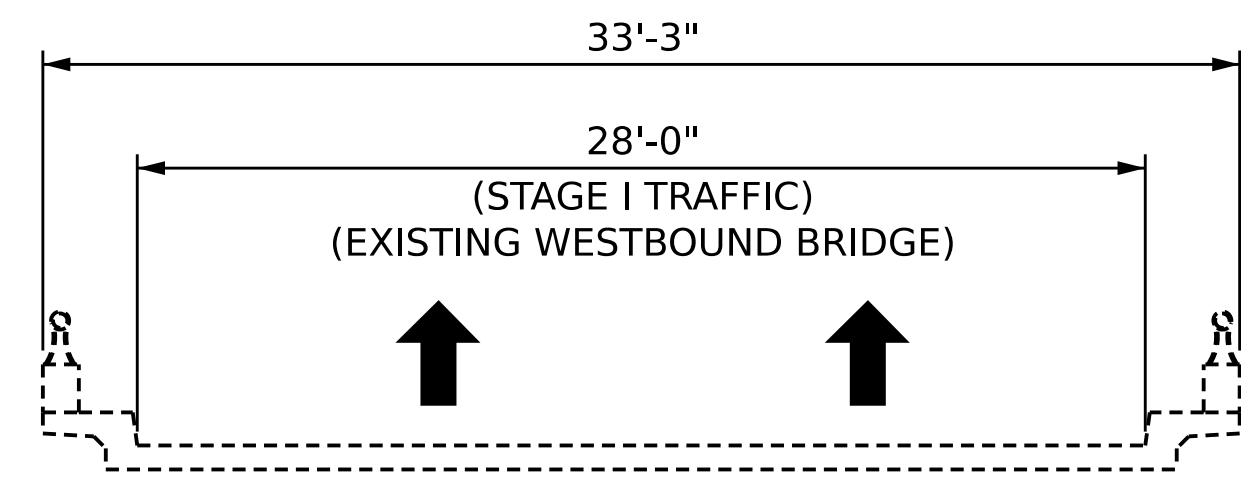


**EXISTING STRUCTURE**  
STAGE I TRAFFIC

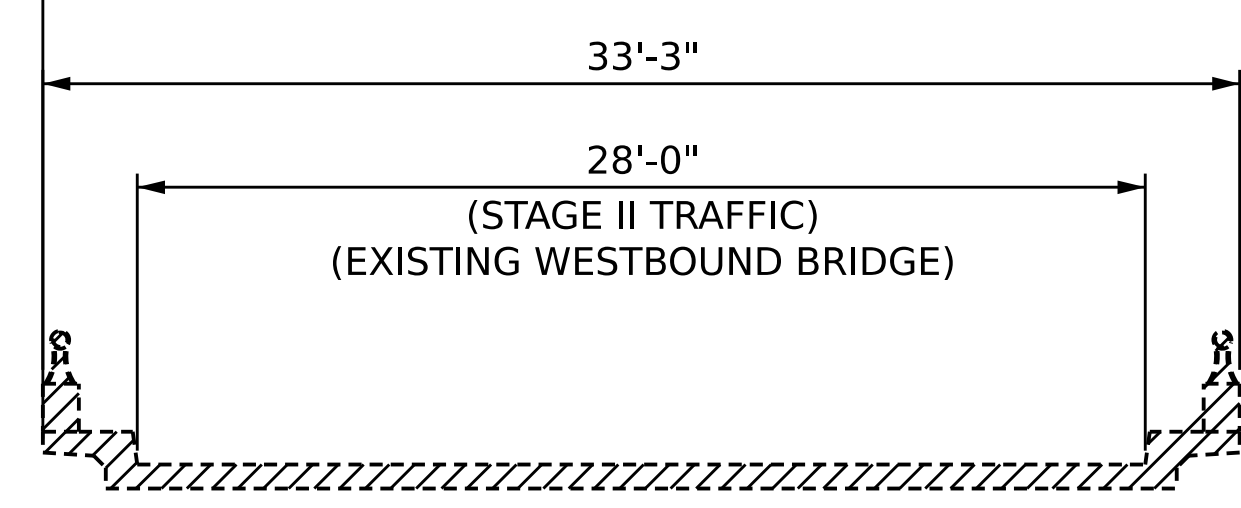


**STAGE I**  
CONSTRUCT STAGE I  
SHIFT EASTBOUND TRAFFIC ONTO STAGE I  
REMOVE EXISTING EASTBOUND BRIDGE



**STAGE II**  
CONSTRUCT STAGE II  
SHIFT WESTBOUND TRAFFIC ONTO STAGE II  
REMOVE EXISTING WESTBOUND BRIDGE

THE CONTRACTOR MAY ERECT GIRDER 10 IN STAGE III WITH THE APPROVAL OF THE ENGINEER. SEE NOTE 1.



PROJECT NO. B-4442  
BUNCOMBE COUNTY  
STATION: 315+72.39 -L-  
SHEET 1 OF 2

**AECOM**  
AECOM TECHNICAL SERVICES OF NC, INC.  
5430 WADE PARK BOULEVARD, SUITE 200  
RALEIGH, NC 27607  
(919) 854-6200 www.aecom.com  
AECOM License No. F02842

8/17/2022  
Seal of John E. Sloan, Professional Engineer, License No. 035062

STATE OF NORTH CAROLINA  
DEPARTMENT OF TRANSPORTATION  
RALEIGH

**GENERAL DRAWING**  
CONSTRUCTION SEQUENCE

REVISIONS						SHEET NO.
NO.	BY:	DATE:	NO.	BY:	DATE:	TOTAL SHEETS
1			3			S-07
2			4			58

1 CONTRACTOR MAY ERECT GIRDER 10 DURING STAGE III CONSTRUCTION WITH THE APPROVAL OF THE ENGINEER. THE BRIDGE DECK CLOSURE POUR SHALL BE LOCATED BETWEEN GIRDERS 9 AND 10. CONTRACTOR SHALL SUBMIT REVISED DRAWINGS AND CALCULATIONS SEALED BY A PROFESSIONAL ENGINEER LICENSED IN NORTH CAROLINA FOR APPROVAL WITHIN 120 DAYS OF CONTRACT AWARD.

DRAWN BY: D.R. DRUM DATE: 05/2022  
CHECKED BY: J.C. MORRISON DATE: 05/2022  
DESIGN ENGINEER OF RECORD: J.E. SLOAN DATE: 05/2022

DOCUMENT NOT CONSIDERED FINAL UNLESS ALL SIGNATURES COMPLETED