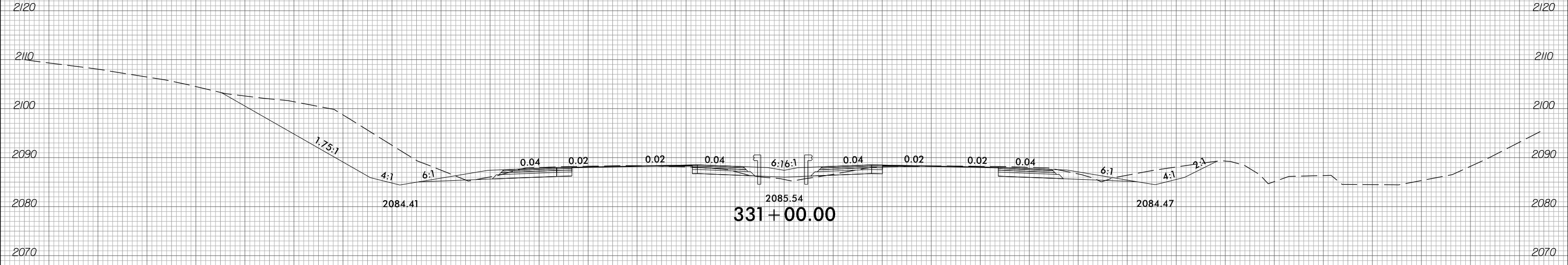
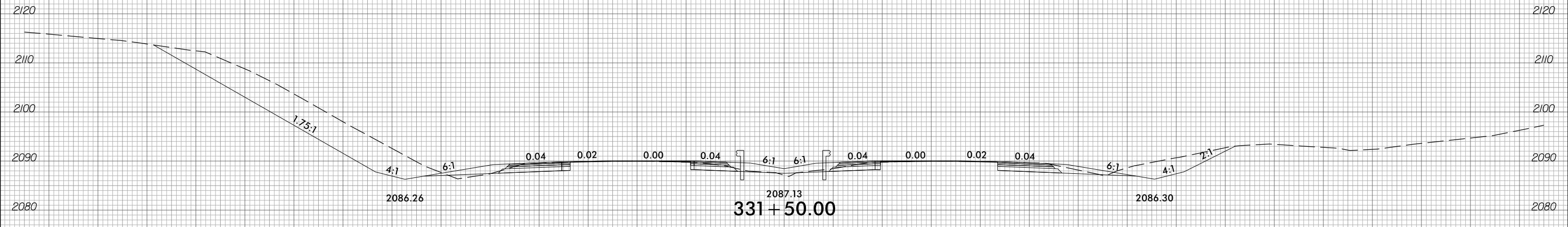
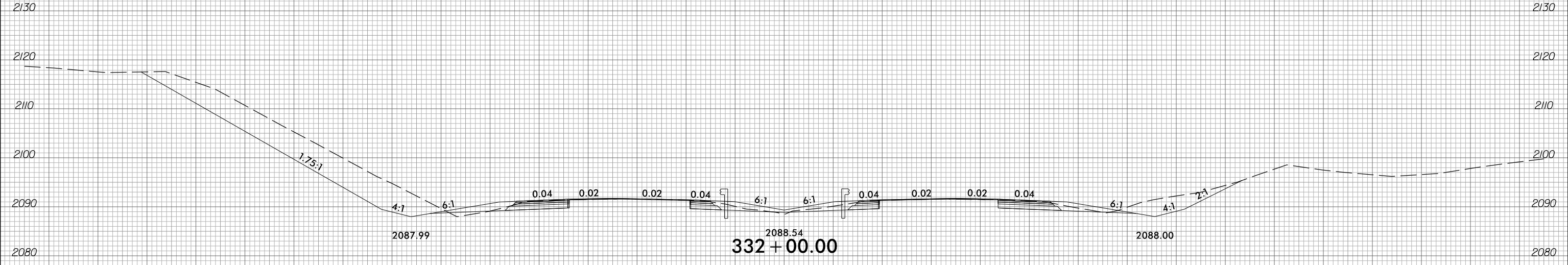


150 140 130 120 110 100 90 80 70 60 50 40 30 20 10 0 10 20 30 40 50 60 70 80 90 100 110 120 130 140 150



150 140 130 120 110 100 90 80 70 60 50 40 30 20 10 0 10 20 30 40 50 60 70 80 90 100 110 120 130 140 150

5/12/2022
p:\a\ecomp\p\m\ben\l\j\com\AECOM_DS21_NA_2020\Documents\1100480-B-4442 I-26 over Reems Creek\900-CAD GIS\910-CAD\70-NCDDT_TIP\Roadway\CorridorModeling\B4442_rdy_xpl_L.dgn

