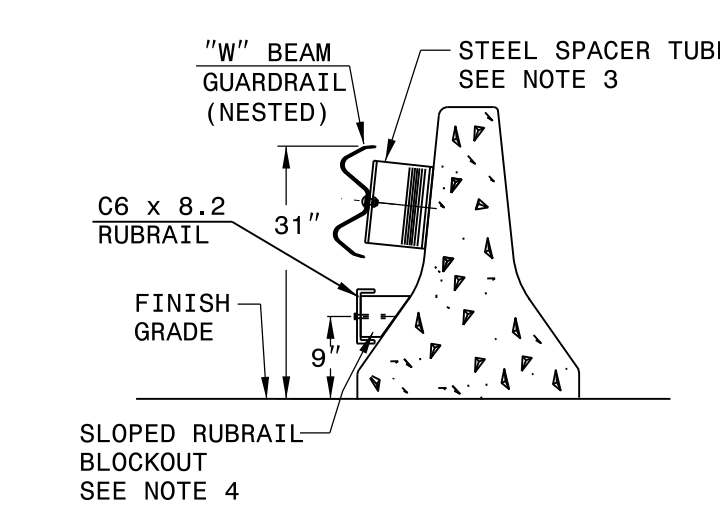
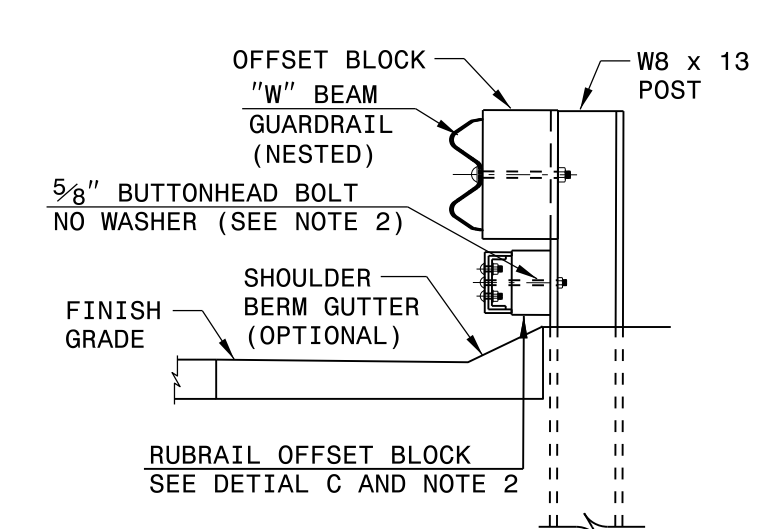


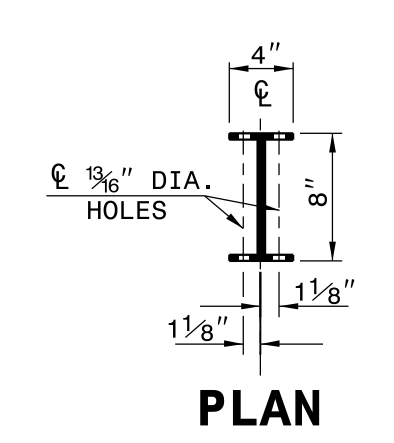
**SECTION A-A**



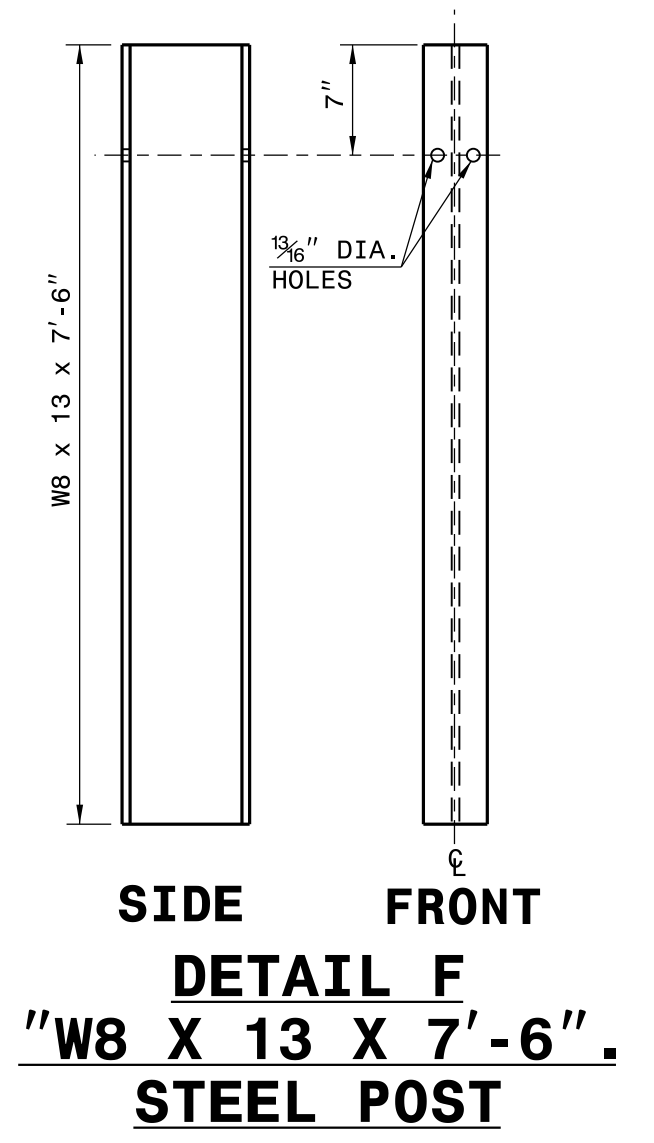
**SECTION B-B**



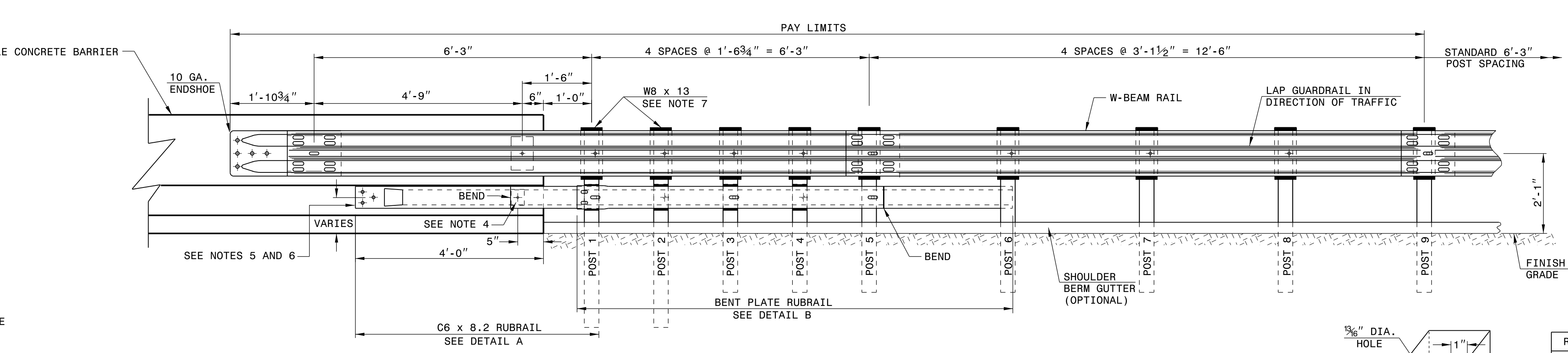
**SECTION C-C**



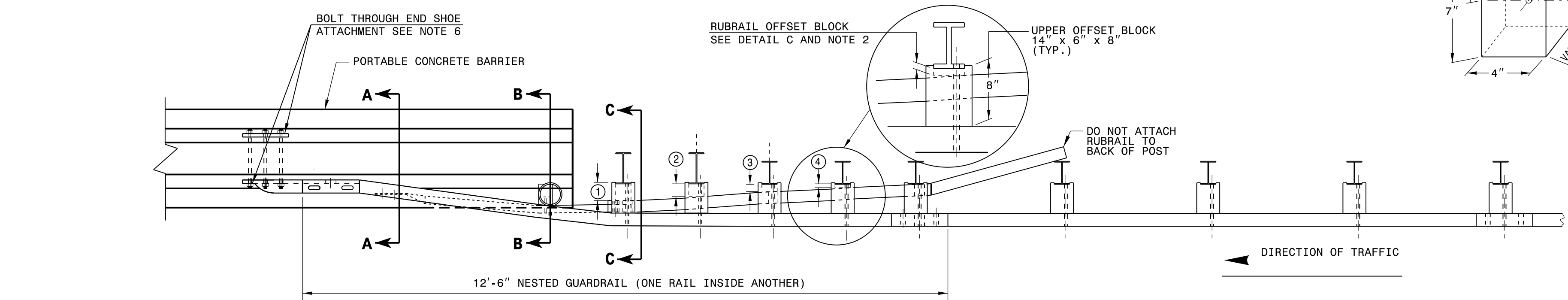
**PLAN**



**DETAIL F**  
**W8 X 13 X 7'-6"**  
**STEEL POST**

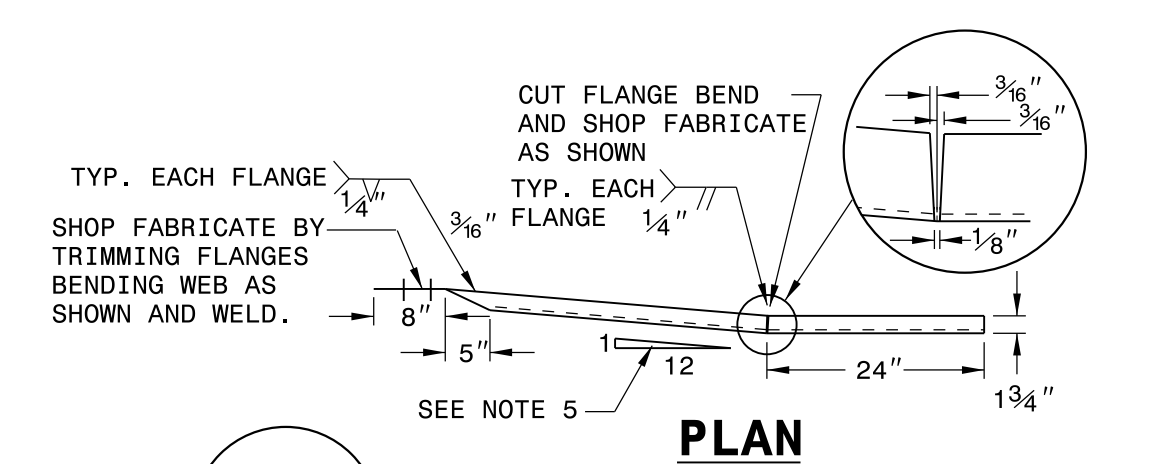


**ELEVATION**

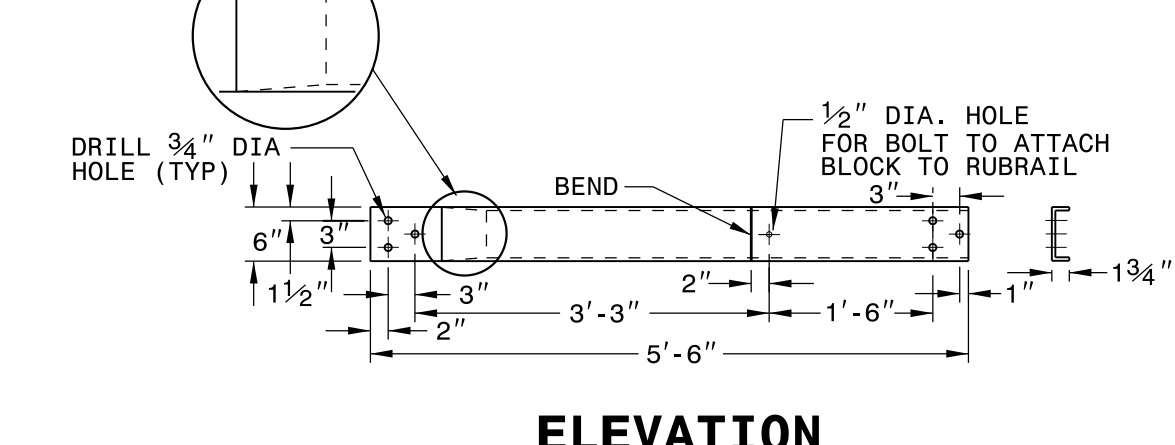


**PLAN**

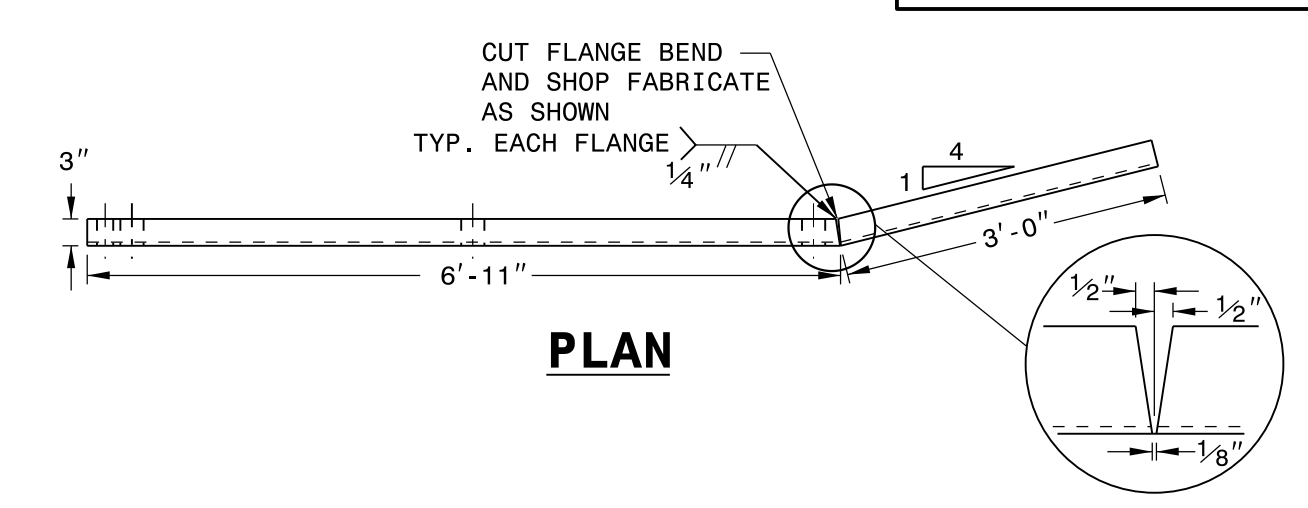
- GENERAL NOTES:**
- POSTS 1 THROUGH 5 REQUIRE AN ADDITIONAL HOLE TO ATTACH LOWER BLOCKOUTS AND/OR RUBRAIL.
  - RUBRAIL BLOCKOUTS LOCATED ON POSTS 1 THROUGH 4 ARE OFFSET DRILLED AND SECURED WITH 5/8" BUTTONHEAD BOLTS (SEE CHART FOR BOLT LENGTHS). SECURE BLOCKS ONLY TO POSTS 2 AND 4. SECURE RUBRAIL AND BLOCKOUTS TO POSTS 1 AND 3. RUBRAIL IS SECURED TO POST 5 WITH A 5/8" x 4 1/2" BUTTONHEAD BOLT. RUBRAIL IS FLARED TO BACK OF POST 6 AND NOT SECURED.
  - STEEL SPACER TUBE IS A SCHEDULE 40 GALVANIZED PIPE 6" INSIDE DIAMETER x 9" LONG. ATTACH TUBE TO GUARDRAIL ONLY WITH 5/8" x 1 1/4" LONG BUTTONHEAD BOLT AND RECTANGULAR PLATE WASHER.
  - SEE DETAIL D FOR SLOPED RUBRAIL BLOCKOUT. BLOCKOUT IS ATTACHED TO RAIL ELEMENT ONLY. USE 3/8" x 3" LAG BOLT WITH FLAT WASHER.
  - SHOP FABRICATE THE C6 x 8.2 RUBRAIL END TO BE CONSISTENT WITH THE SLOPE OF THE JERSEY SHAPE AND ATTACH FLUSH WITH THE SLOPED TOE OF THE BARRIER OR BRIDGE RAIL.
  - ANCHORAGE:
    - AT PORTABLE CONCRETE BARRIER, ANCHOR RUBRAIL USING THREE 5/8" x 6" CHEMICALLY ANCHORED BOLTS WITH WASHERS.
    - AT PORTABLE CONCRETE BARRIER, ANCHOR THE W-BEAM END SHOE USING A 4 BOLT HOLD-DOWN PLATE AS SHOWN. INSTALL THE W-BEAM END SHOE BEHIND THE NESTED W-BEAM ELEMENTS.
  - POSTS 1 AND 2 ARE W8 x 13, 7'-6" LONG. ALL OTHER POSTS IN THE ANCHOR UNIT ARE W6 x 8.5.



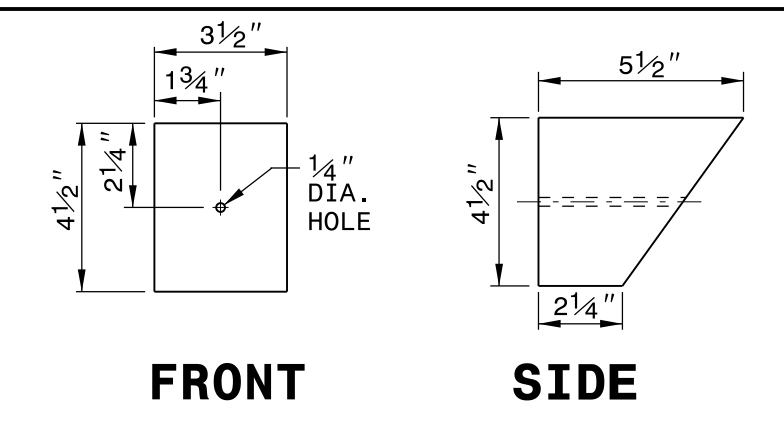
**DETAIL A**  
**C6 x 8.2 RUBRAIL**



**DETAIL B**  
**BENT PLATE RUBRAIL**



**DETAIL E**  
**LAG BOLT**



**DETAIL D**  
**SLOPED RUBRAIL BLOCKOUT**

**NOTES FOR 4 BOLT HOLD DOWN PLATE**

- THE GUARDRAIL ANCHOR ASSEMBLY SHALL CONSIST OF A 1/4" HOLD DOWN PLATE AND 4 - 7/8" DIA. BOLTS WITH NUTS AND WASHERS.
- THE HOLD-DOWN PLATE SHALL CONFORM TO AASHTO M270 GRADE 36. AFTER FABRICATION, THE HOLD-DOWN PLATE SHALL BE HOT-DIP GALVANIZED IN ACCORDANCE WITH AASHTO M111.
- AFTER INSTALLATION, THE EXPOSED THREAD OF THE BOLT SHALL BE BURRED WITH A SHARP POINTED TOOL. THE 1/4" DIA. HOLES SHALL BE FORMED OR DRILLED WITH A CORE BIT. IMPACT TOOLS WILL NOT BE PERMITTED. ANY CONCRETE DAMAGED BY THIS WORK SHALL BE REPAIRED TO THE SATISFACTION OF THE ENGINEER.

**4 BOLT HOLD DOWN PLATE**

**PART SECTION OF BARRIER OR RAIL THRU END SHOE SECTION AND 4 BOLT HOLD DOWN PLATE**

| RUBRAIL BLOCKS 7" HIGH x 4" WIDE |           |             |
|----------------------------------|-----------|-------------|
| POST                             | THICKNESS | BOLT LENGTH |
| ①                                | 4 1/4"    | 9"          |
| ②                                | 3 1/4"    | 5" *        |
| ③                                | 2"        | 6"          |
| ④                                | 1"        | 3" *        |

\* BOLTS FOR POSTS 2 AND 4 ARE USED TO ATTACH BLOCK TO POST. RUBRAIL NOT ATTACHED TO BLOCK.

**DETAIL C**  
**RUBRAIL BLOCKOUT**

02-OCT-2018 14:39 S:\Contracts\Temporary Details\Temporary B-77 to PCB.dgn Jhowerton AT CSD-292595



**CONTRACT STANDARDS AND DEVELOPMENT UNIT**  
Office 919-707-6950 FAX 919-250-4119

**TEMPORARY GUARDRAIL ANCHOR UNIT TYPE B-77**

ORIGINAL BY: E.E. WARD DATE: 04-07-04  
 MODIFIED BY: J.S. Howerton DATE: 10-02-18  
 CHECKED BY: DATE: \_\_\_\_\_  
 FILE SPEC.: \_\_\_\_\_

DOCUMENT NOT CONSIDERED FINAL UNLESS ALL SIGNATURES COMPLETED