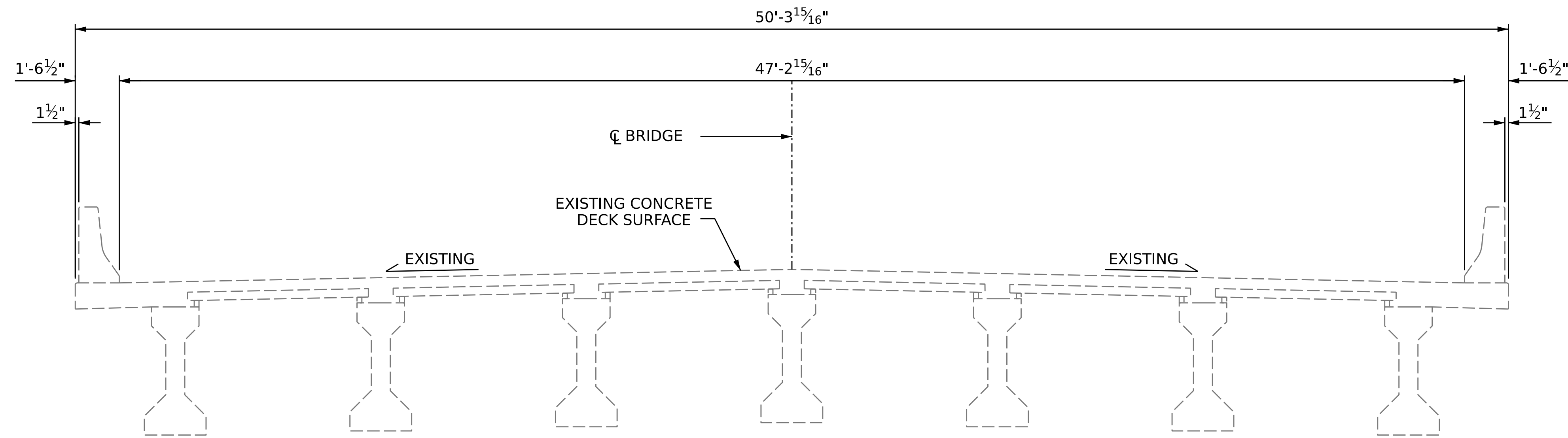
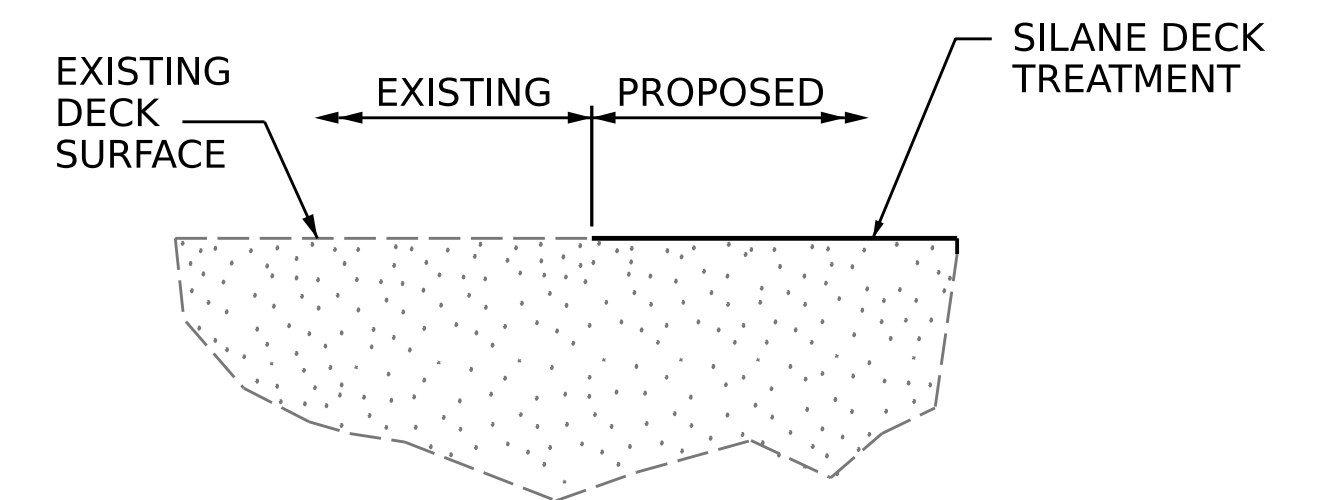


NOTES

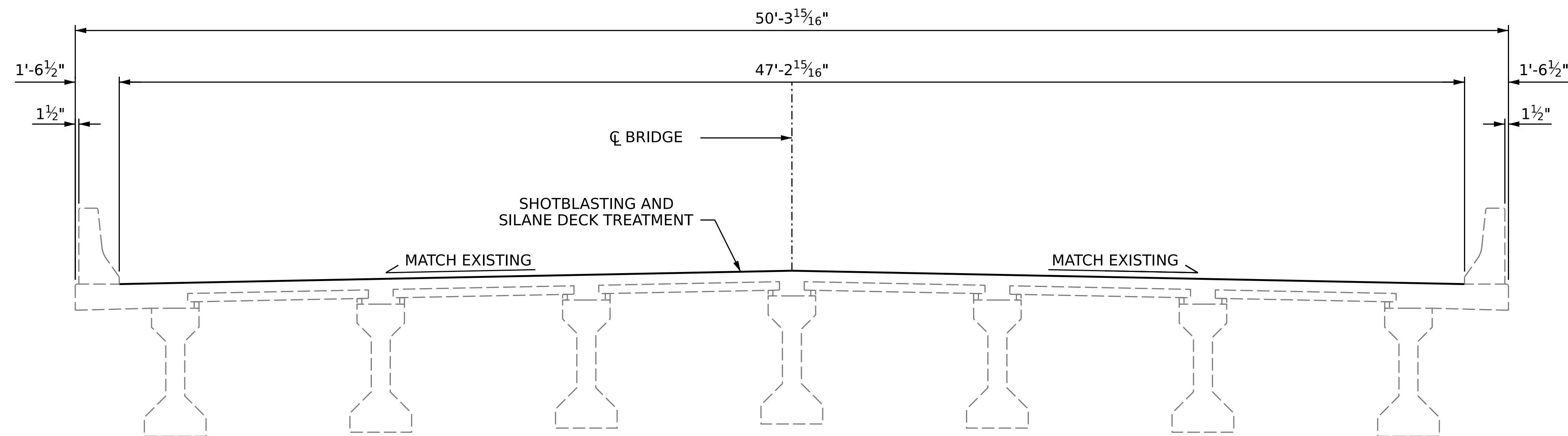
SEE TRAFFIC PLANS FOR LANE WIDTH, SEQUENCING, AND OTHER TRAFFIC CONTROL MEASURES FOR STAGING OF SURFACE PREPARATION AND SILANE DECK TREATMENT.



TYPICAL SECTION
(EXISTING)



SILANE DECK TREATMENT DETAIL



TYPICAL SECTION
(PROPOSED)

PROJECT NO. **HI-0007**
WILSON COUNTY
 BRIDGE NO. **970244**



STATE OF NORTH CAROLINA
 DEPARTMENT OF TRANSPORTATION
 RALEIGH
SUPERSTRUCTURE
 TYPICAL SECTION
 AND SILANE DECK
 TREATMENT DETAILS

DRAWN BY : G. AYES DATE : 4/2022
 CHECKED BY : A. G. ABRAHA DATE : 5/2022
 DESIGN ENGINEER OF RECORD: -- DATE : --

6/22/2022
 S:\DPG\Division4\HI-0007\Plans\970244\402.003.HI-0007.SMU.TS-S2-2.970244.dgn
 aabr aha

DOCUMENT NOT CONSIDERED
 FINAL UNLESS ALL
 SIGNATURES COMPLETED

REVISIONS						SHEET NO.
NO.	BY:	DATE:	NO.	BY:	DATE:	S2-2
1			3			TOTAL SHEETS
2			4			7