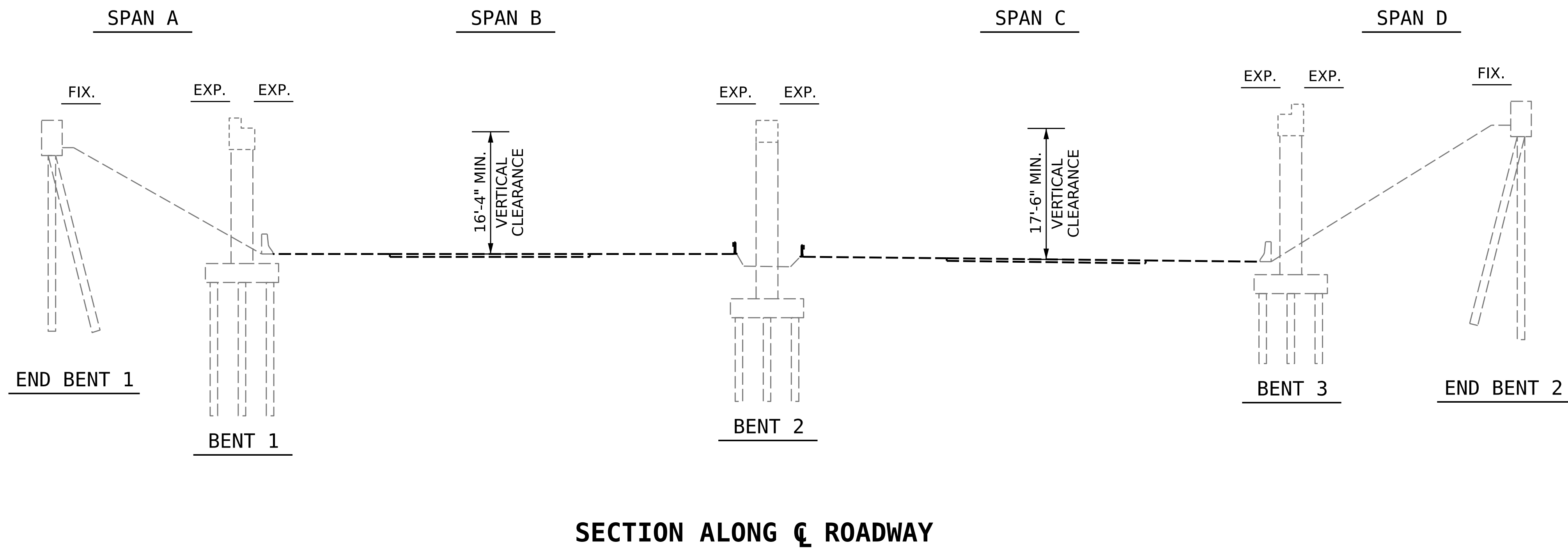


**NOTES**

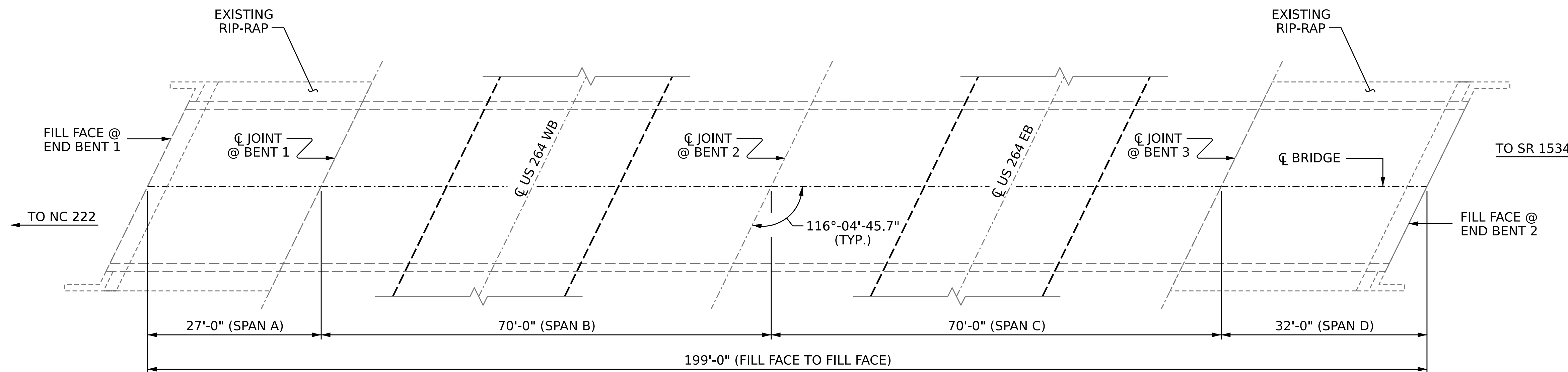
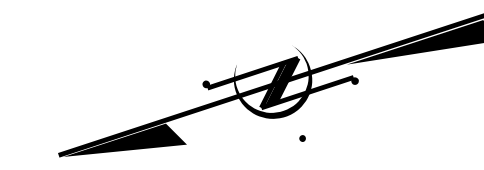
- PROFILE INFORMATION IS TAKEN FROM ORIGINAL PLANS AND INSPECTION REPORT DATED 06/07/2021.
- BRIDGE ORIENTATION CONFORMS TO EXISTING BRIDGE PLANS.

**SCOPE OF WORK**

- PREPARE BRIDGE DECK BY SHOTBLASTING METHODS.
- PLACE SILANE DECK TREATMENT.
- DEMOLISH EXISTING BRIDGE DECK JOINTS.
- RECONSTRUCT BRIDGE JOINTS WITH ELASTOMERIC CONCRETE AND INSTALL BACKER ROD AND POURABLE SILICONE JOINT SEALANT.
- REPAIR PRESTRESSED CONCRETE GIRDERS.
- REMOVE UNSOUND CONCRETE AND PROPERLY PREPARE AREAS FOR SHOTCRETE REPAIRS.
- PERFORM SHOTCRETE REPAIRS.



**SECTION ALONG CL ROADWAY**



**PLAN**

(FOOTINGS, COLUMNS & PILES NOT SHOWN IN PLAN VIEW FOR CLARITY)

I HEREBY CERTIFY THAT THIS STRUCTURE WAS REHABILITATED ACCORDING TO THESE PLANS OR AS NOTED HEREIN.

RESIDENT ENGINEER \_\_\_\_\_ DATE \_\_\_\_\_

PROJECT NO. **HI-0007**  
**WILSON** COUNTY  
 BRIDGE NO. **970225**



STATE OF NORTH CAROLINA  
 DEPARTMENT OF TRANSPORTATION  
 RALEIGH

**GENERAL DRAWING**

FOR BRIDGE 225 OVER  
 US 264 BETWEEN  
 NC 222 AND SR 1534

REVISIONS						SHEET NO.
NO.	BY:	DATE:	NO.	BY:	DATE:	S1-1
1			3			TOTAL SHEETS
2			4			11

DRAWN BY : G. AYES DATE : 3/2022  
 CHECKED BY : A. G. ABRAHA DATE : 5/2022

DOCUMENT NOT CONSIDERED FINAL UNLESS ALL SIGNATURES COMPLETED