

END BENT 1
END BENT 2
PLAN OF BARRIER RAIL

NOTES

THE COST OF THE BARRIER RAIL ON THE APPROACH SLAB SHALL BE INCLUDED IN THE LINEAR FOOT CONTRACT PRICE BID FOR "CONCRETE BARRIER RAIL".

THE BARRIER RAIL ON EACH APPROACH SLAB SHALL NOT BE CAST UNTIL ALL APPROACH SLAB CONCRETE HAS BEEN CAST AND HAS REACHED A MINIMUM COMPRESSIVE STRENGTH OF 3,000 PSI.

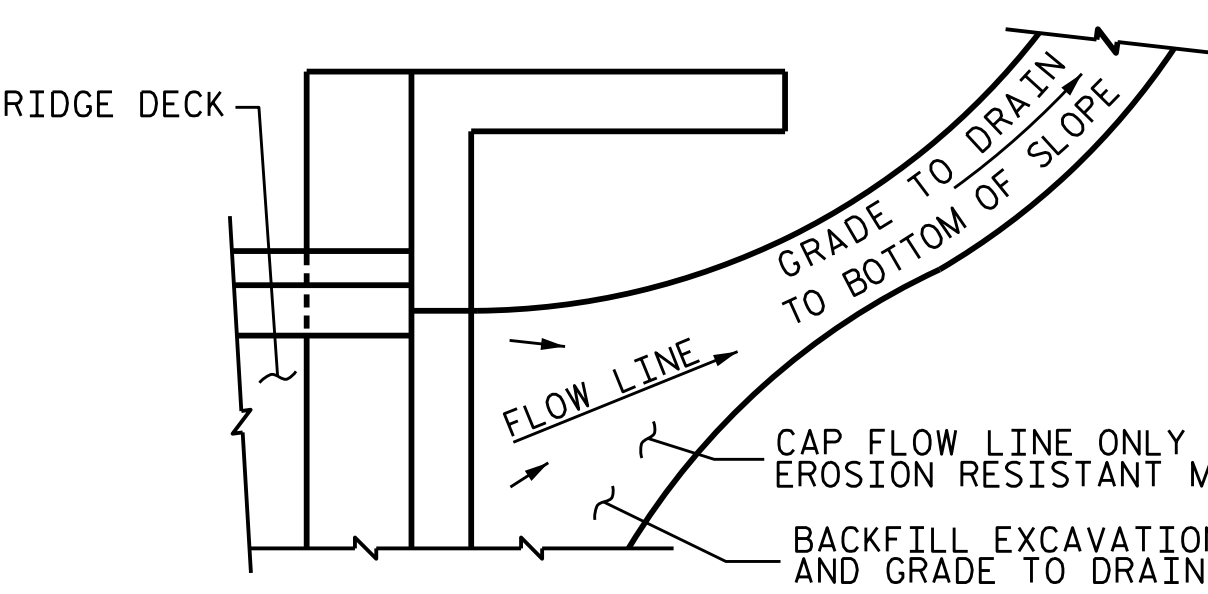
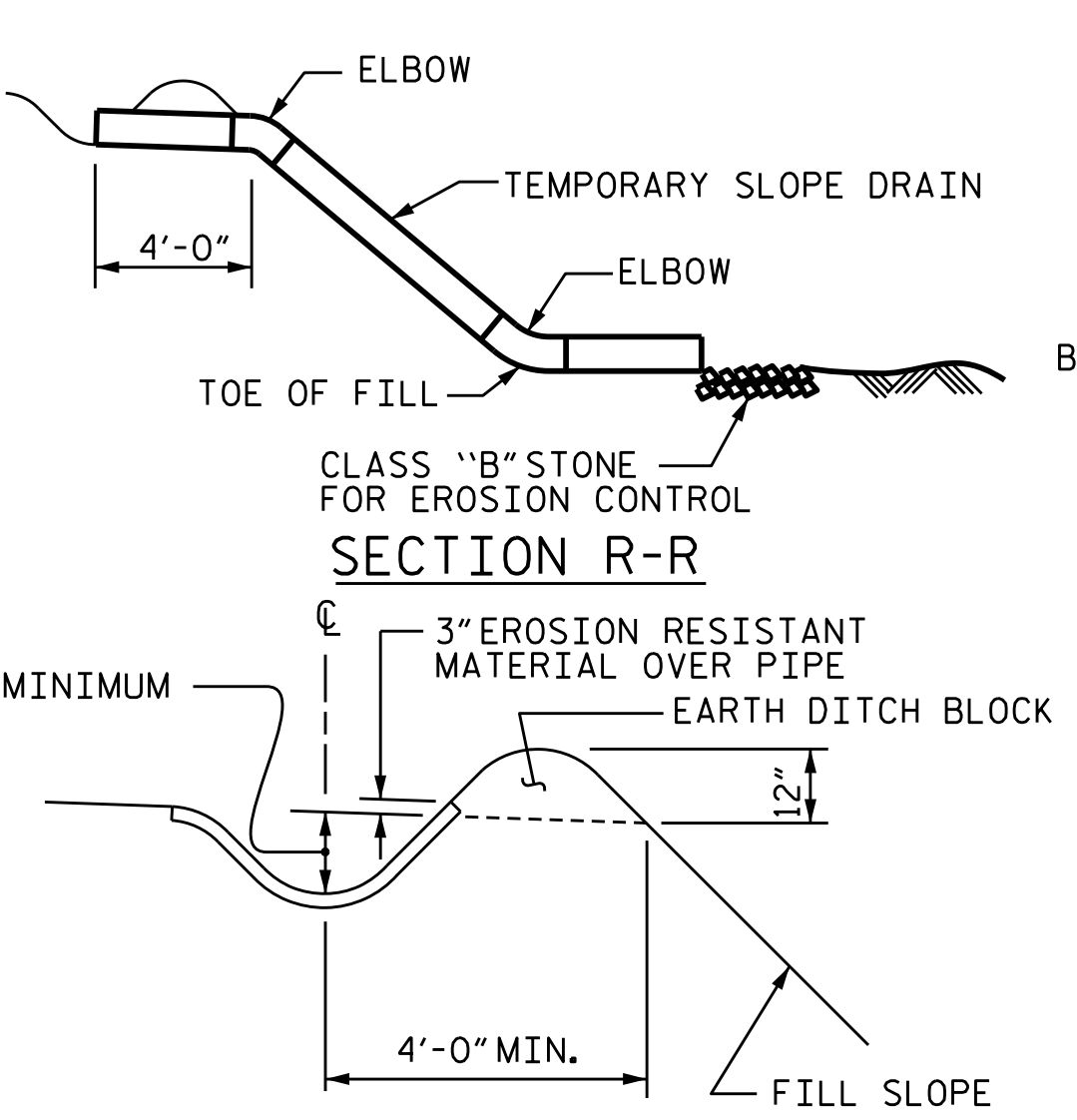
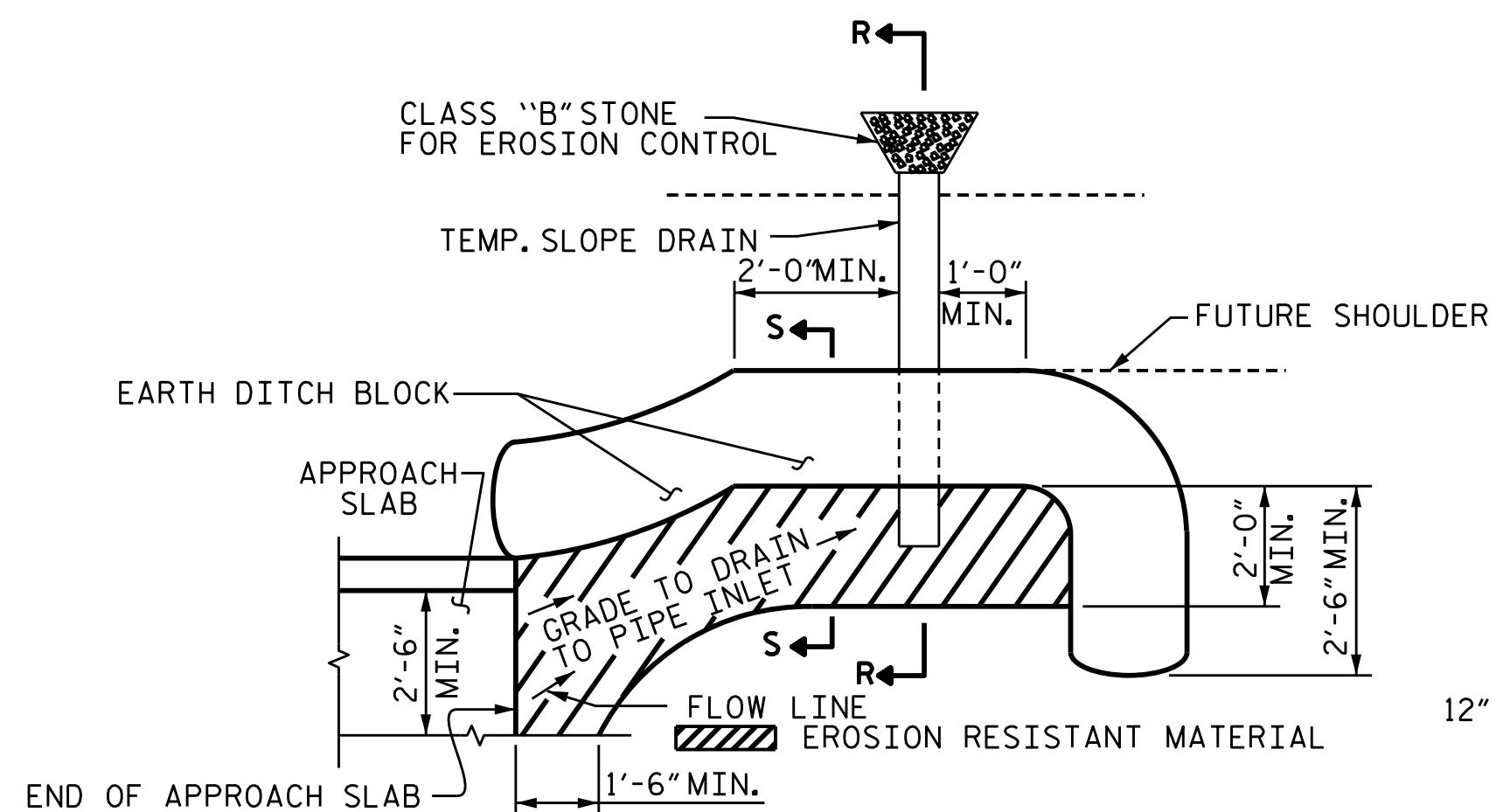
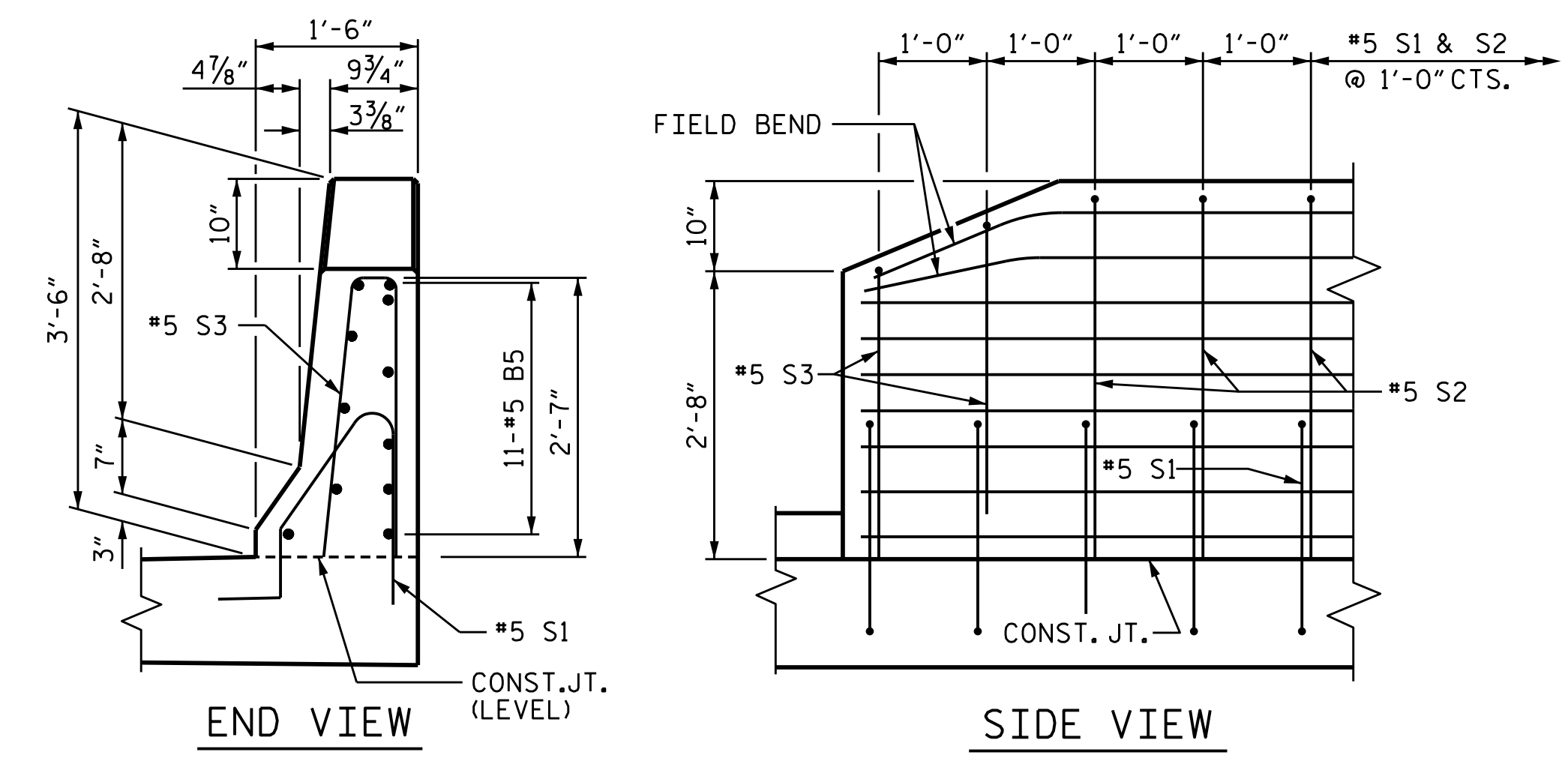
ALL REINFORCING STEEL IN BARRIER RAILS SHALL BE EPOXY COATED.

BAR TYPES

ALL BAR DIMENSIONS ARE OUT TO OUT

BILL OF MATERIAL

| BARRIER RAIL ONLY | | | | | |
|----------------------------------|-----|------|------|--------|-----------|
| BAR | NO. | SIZE | TYPE | LENGTH | WEIGHT |
| *B5 | 88 | #5 | STR | 7'-0" | 642 |
| *S2 | 32 | #5 | 3 | 7'-0" | 234 |
| *S3 | 8 | #5 | 3 | 5'-6" | 46 |
| * EPOXY COATED REINFORCING STEEL | | | | | 922 LBS. |
| CLASS AA CONCRETE | | | | | 5.4 C. Y. |



NOTE: IMMEDIATELY AFTER THE CONSTRUCTION OF THE APPROACH SLAB, THE CONTRACTOR SHALL PROVIDE TEMPORARY BERM AND SLOPE DRAIN. CONTRACTOR SHALL GRADE TO PIPE INLET AND PROVIDE EROSION RESISTANT MATERIAL AS SHOWN. THE EROSION RESISTANT MATERIAL SHALL BE EITHER 1) ASPHALT PLANT MIX, TYPE 1 OR TYPE 2, MIN. 2" DEPTH, 2) EROSION CONTROL MAT, OR 3) CONCRETE, AS DIRECTED BY THE ENGINEER. THE SLOPE DRAIN SHALL CONSIST OF A NON-PERFORATED TEMPORARY DRAINAGE PIPE, 12 INCHES IN DIAMETER.

NOTE: IF THE APPROACH SLAB IS NOT CONSTRUCTED IMMEDIATELY AFTER THE BACKFILLING OF THE END BENT EXCAVATION, GRADE TO DRAIN TO THE BOTTOM OF THE SLOPE AND PROVIDE EROSION RESISTANT MATERIAL, SUCH AS FIBERGLASS ROVING OR AS DIRECTED BY THE ENGINEER TO PREVENT SOIL EROSION AND TO PROTECT THE AREA ADJACENT TO THE STRUCTURE. THE CONTRACTOR WILL BE REQUIRED TO REMOVE THESE MATERIALS PRIOR TO CONSTRUCTION OF THE APPROACH SLAB.

PROJECT NO. B-4786
PITT COUNTY
 STATION: 28+03.00 -L-
 SHEET 2 OF 2

STATE OF NORTH CAROLINA
 DEPARTMENT OF TRANSPORTATION
 RALEIGH

STANDARD
 BRIDGE APPROACH
 SLAB DETAILS

2/24/2022 7:41 AM EST

DOCUMENT NOT CONSIDERED FINAL
 UNLESS ALL SIGNATURES COMPLETED

TGS ENGINEERS
 706 HILLSBOROUGH STREET
 SUITE 200
 RALEIGH, NC 27603
 PH (919) 773-8887
 CORP. LICENSE NO.: C-0275

| REVISIONS | | | | | | SHEET NO. |
|-----------|-----|-------|-----|-----|-------|--------------|
| NO. | BY: | DATE: | NO. | BY: | DATE: | TOTAL SHEETS |
| 1 | | | 3 | | | 57 |
| 2 | | | 4 | | | 57 |

| | |
|---------------------------------|--------------------|
| ASSEMBLED BY : STM/ZCS | DATE : 01/19 |
| CHECKED BY : MGC | DATE : 07/19 |
| DESIGN ENGINEER OF RECORD : MGC | DATE : 07/19 |
| DRAWN BY : FCJ 11/88 | REV. 7/12 MAA/GM |
| CHECKED BY : ARB 11/88 | REV. 6/13 MAA/GM |
| | REV. 12/17 MAA/THC |

TEMPORARY BERM AND SLOPE DRAIN DETAILS
 (TO BE USED WHEN SHOULDER BERM GUTTER IS REQUIRED)