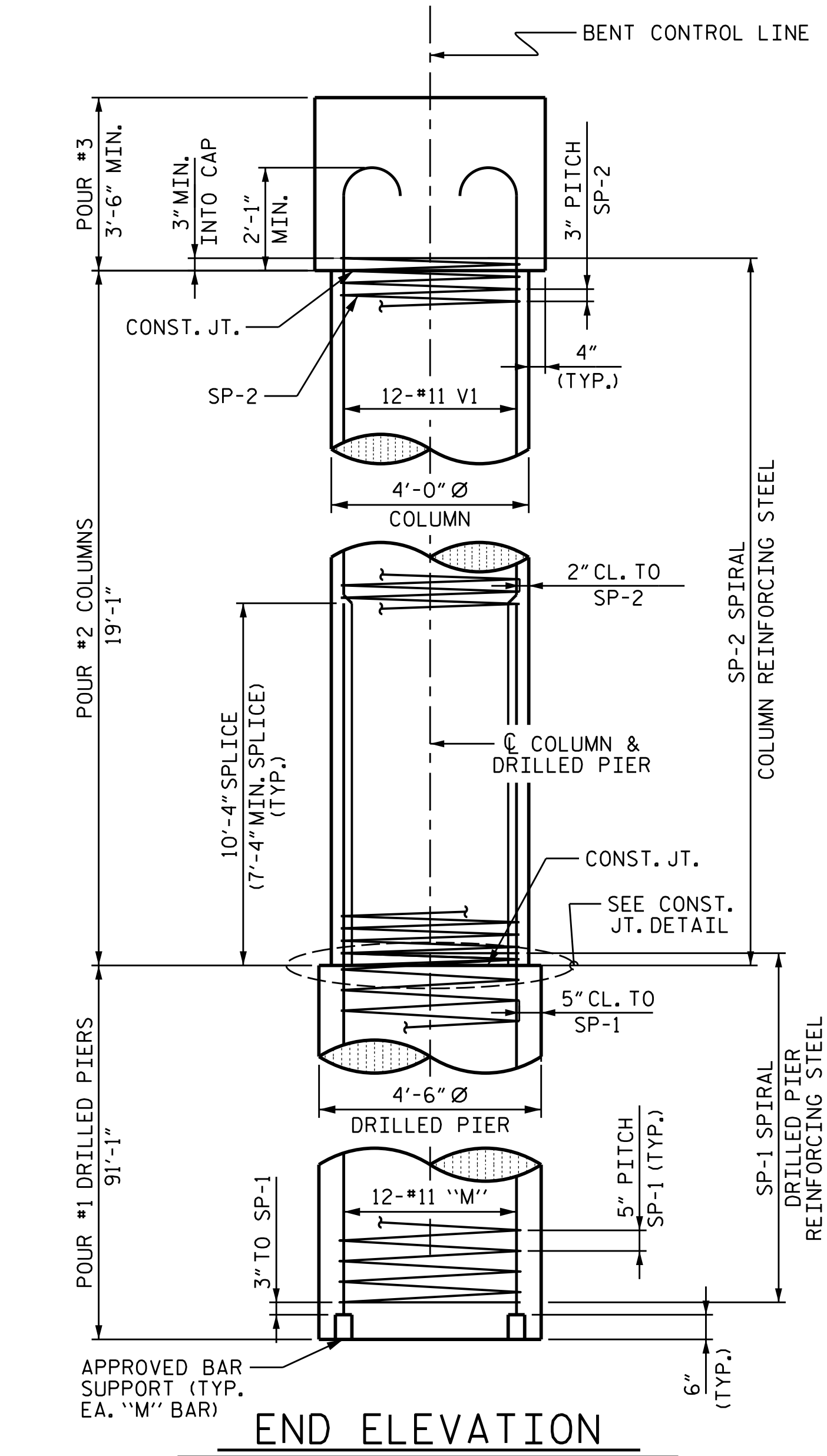
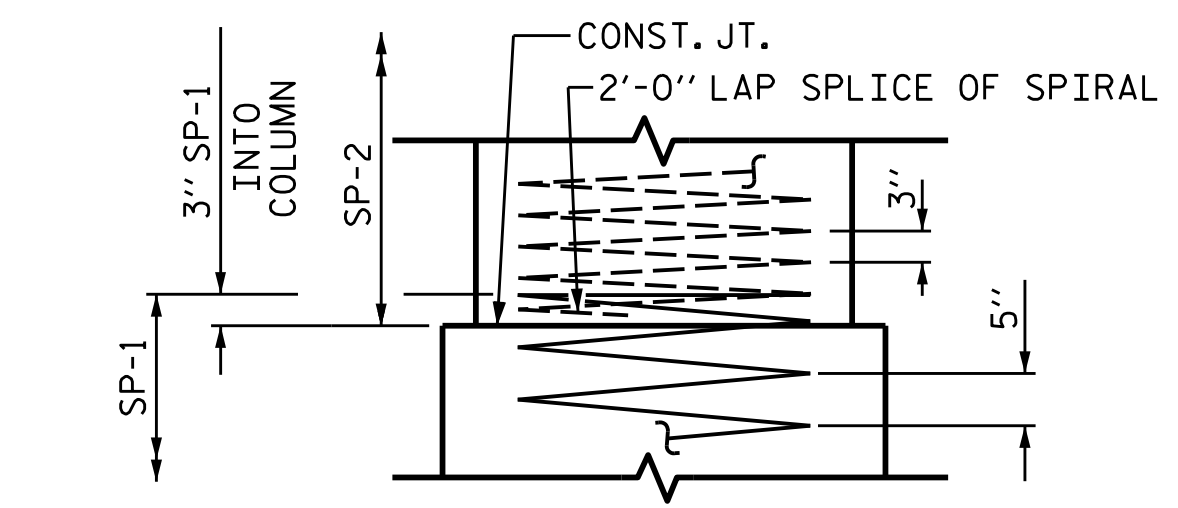


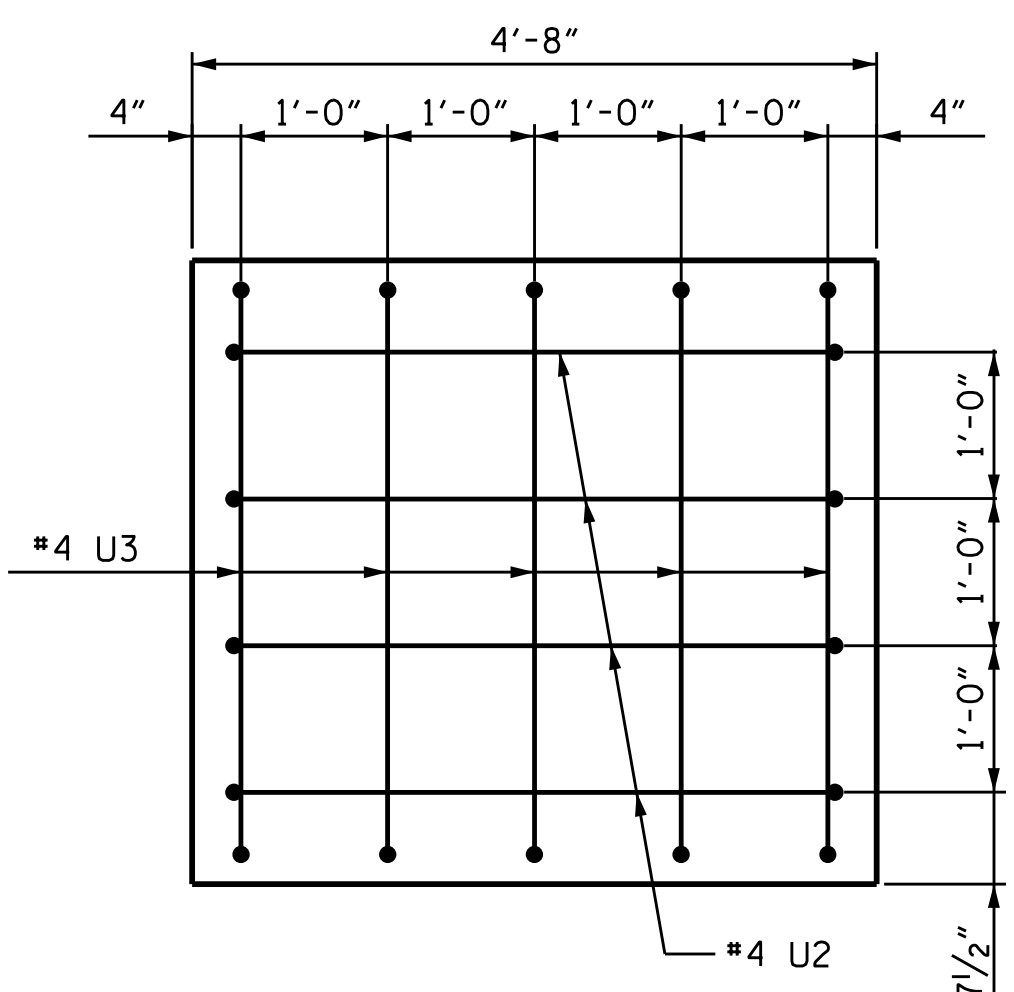
PLAN OF DRILLED PIERS & COLUMNS



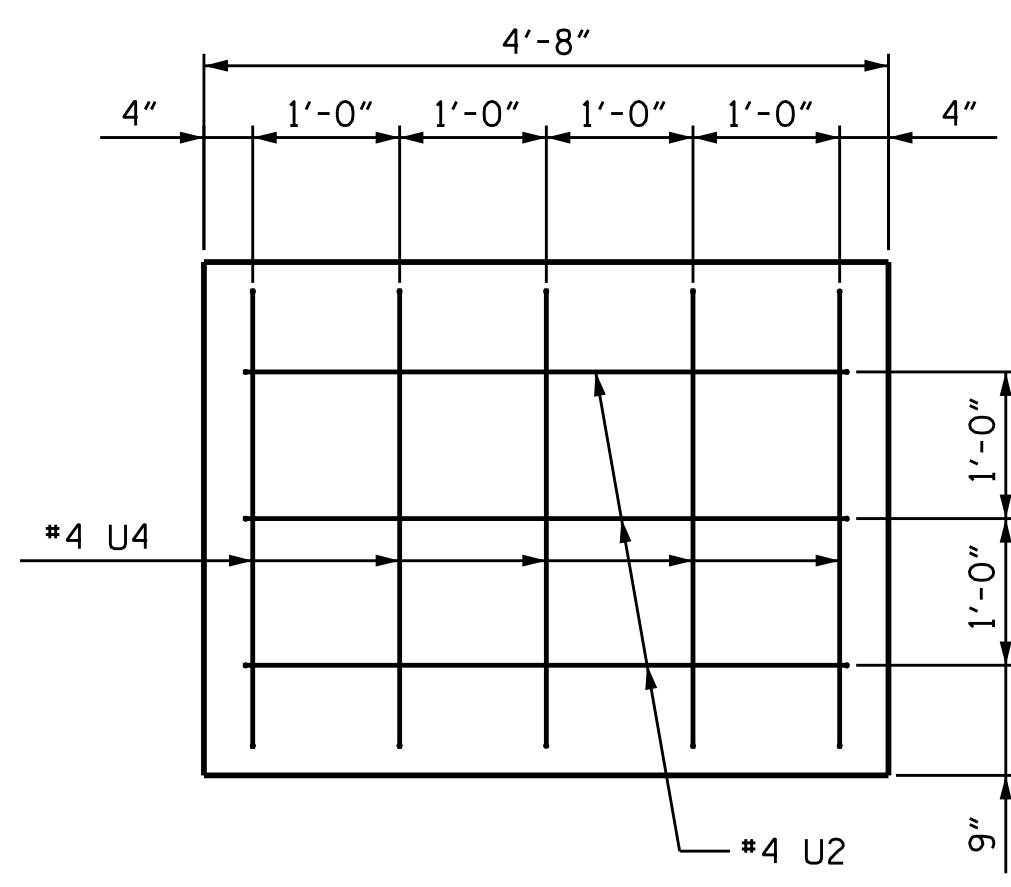
END ELEVATION



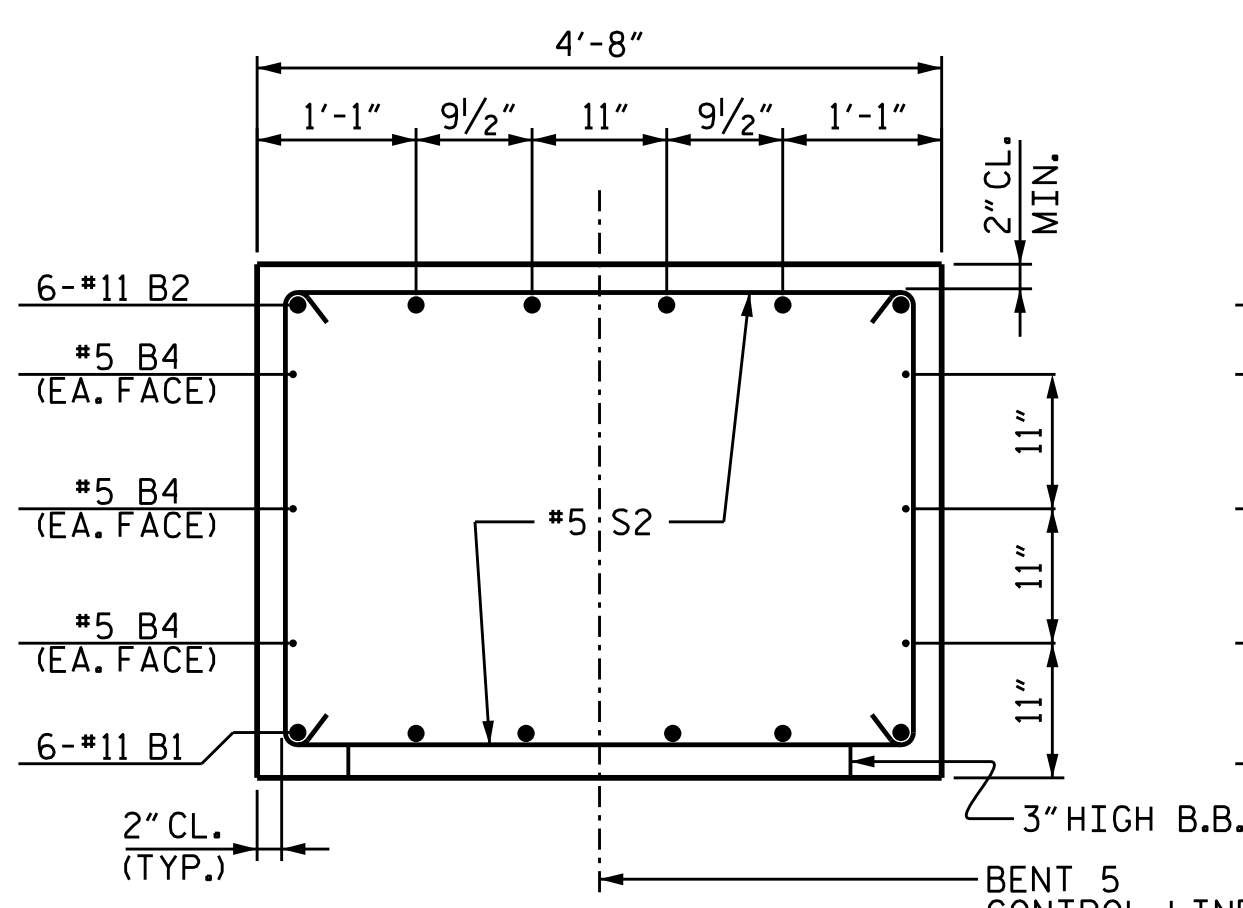
CONSTRUCTION JOINT DETAIL



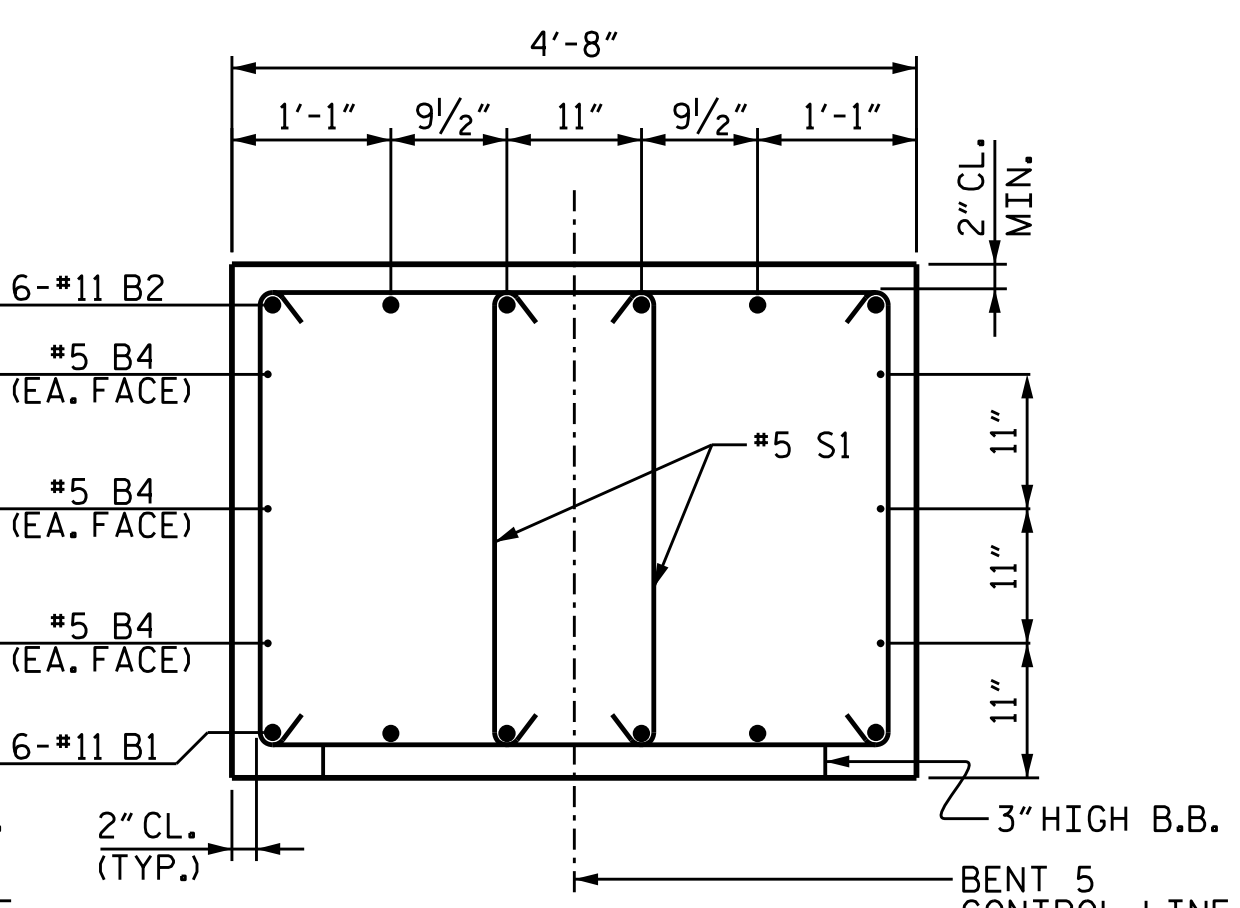
LEFT END VIEW



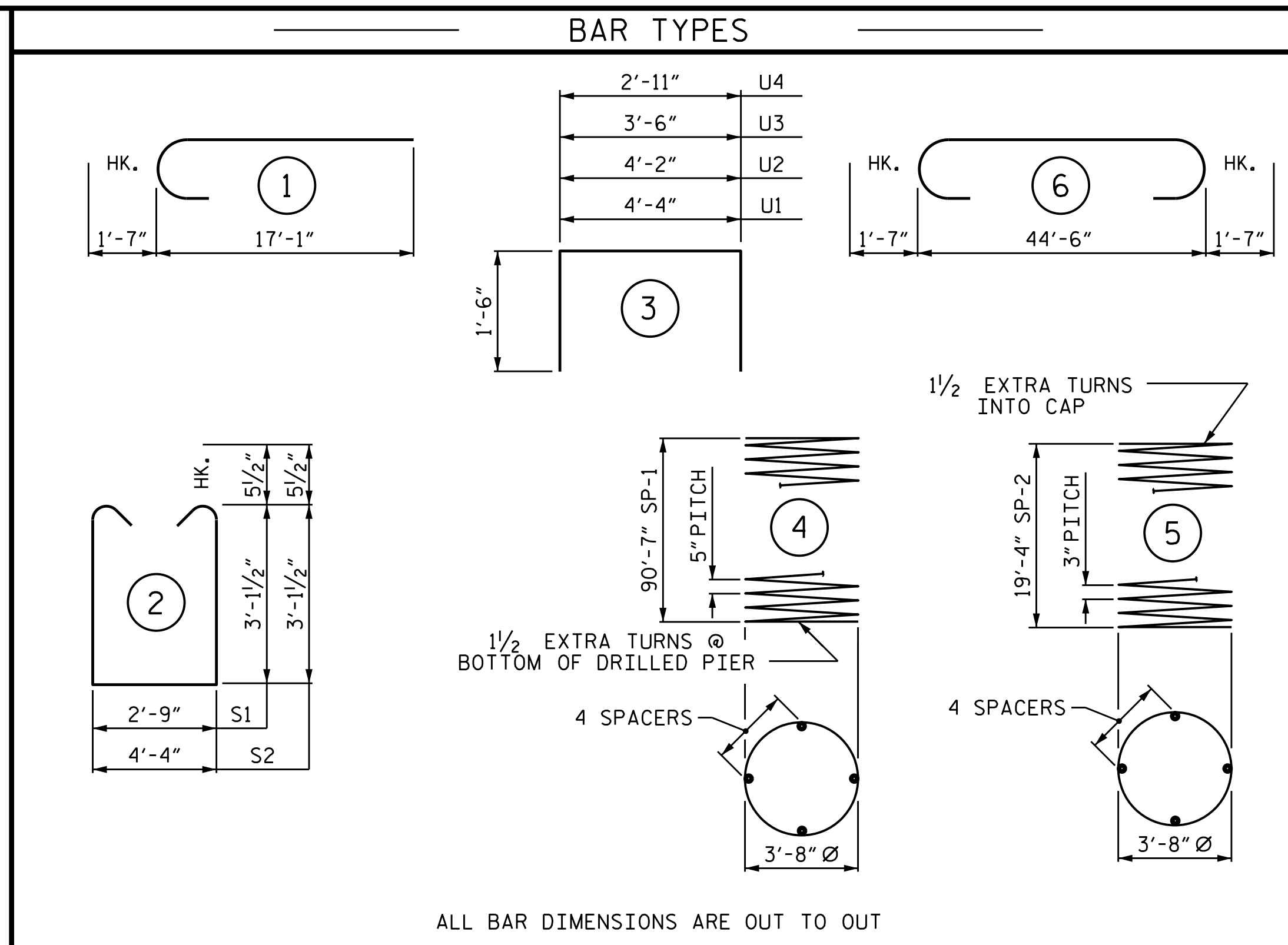
RIGHT END VIEW



SECTION B-B



SECTION A-A



ALL BAR DIMENSIONS ARE OUT TO OUT

BILL OF MATERIAL FOR BENT 5					
BAR	NO.	SIZE	TYPE	LENGTH	WEIGHT
B1	6	#11	STR	44'-8"	1,424
B2	6	#11	6	47'-8"	1,520
B3	6	#5	STR	44'-8"	280
B4	6	#4	STR	24'-5"	98
M1	36	#11	STR	60'-0"	11,476
M2	36	#11	STR	48'-3"	9,229
S1	16	#5	2	9'-11"	165
S2	38	#5	2	11'-6"	456
U1	53	#4	3	7'-4"	260
U2	7	#4	3	7'-2"	34
U3	5	#4	3	6'-6"	22
U4	5	#4	3	5'-11"	20
V1	36	#11	1	22'-9"	4,351
REINFORCING STEEL					29,335 LBS.
SP-1	3	*	4	2,488'-7"	7,787
SP-2	3	**	5	899'-11"	1,803
SPIRAL COLUMN REINFORCING STEEL					9,590 LBS.
* THE SP-1 SPIRAL REINFORCING STEEL SHALL BE W31 OR D-31 COLD DRAWN WIRE OR #5 PLAIN OR DEFORMED BAR					
** THE SP-2 SPIRAL REINFORCING STEEL SHALL BE W20 OR D-20 COLD DRAWN WIRE OR #4 PLAIN OR DEFORMED BAR					

CLASS A CONCRETE BREAKDOWN	
POUR #2 (COLUMNS)	26.6 C.Y.
POUR #3 (CAP)	29.8 C.Y.
TOTAL CLASS A CONCRETE	56.4 C.Y.

DRILLED PIERS:	
DRILLED PIER CONCRETE POUR #1	161.0 C.Y.
4'-6" Ø DRILLED PIERS IN SOIL	273.25 LIN. FT.
PERMANENT STEEL CASING FOR 4'-6" Ø DRILLED PIERS	87.06 LIN. FT.
CSL TUBES	1111.00 LIN. FT.

PROJECT NO. B-4786
 COUNTY PITT
 STATION: 28+03.00 -L-
 SHEET 2 OF 2

STATE OF NORTH CAROLINA
 DEPARTMENT OF TRANSPORTATION
 RALEIGH

SEAL
 20125
 ENGINEER
 M. S. G. GREEN, JR.
 SFBCCF340C412/2/24/2022 | 7:41 AM EST

DOCUMENT NOT CONSIDERED FINAL UNLESS ALL SIGNATURES COMPLETED

TGS ENGINEERS
 706 HILLSBOROUGH STREET SUITE 200
 RALEIGH, NC 27603
 PH (919) 773-8887
 CORP. LICENSE NO.: C-0275

REVISIONS						SHEET NO.
NO.	BY:	DATE:	NO.	BY:	DATE:	S-46
1			3			TOTAL SHEETS
2			4			57

DRAWN BY: TBE / ZCS DATE: 6/2019
 CHECKED BY: MGC DATE: 6/2019
 DESIGN ENGINEER OF RECORD: TBE DATE: 6/2019